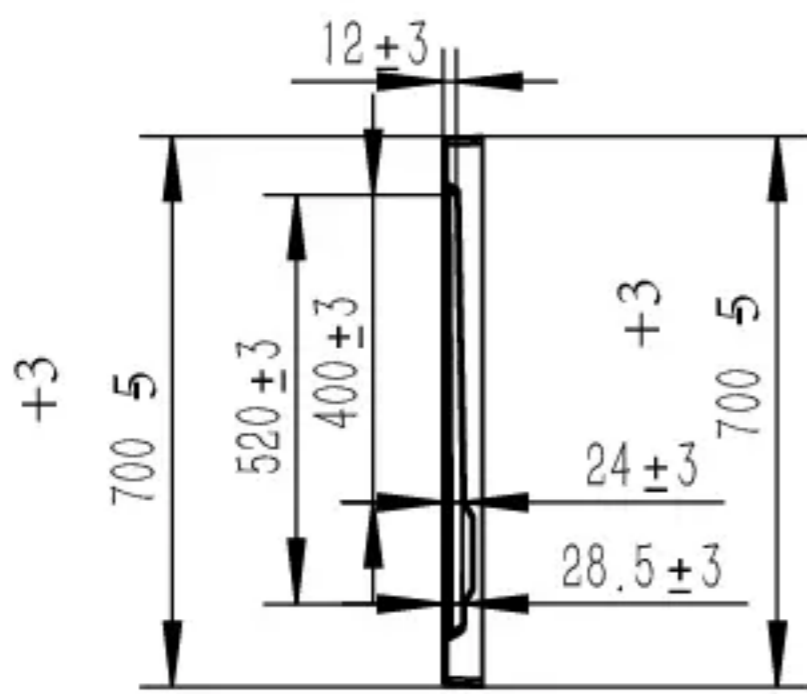
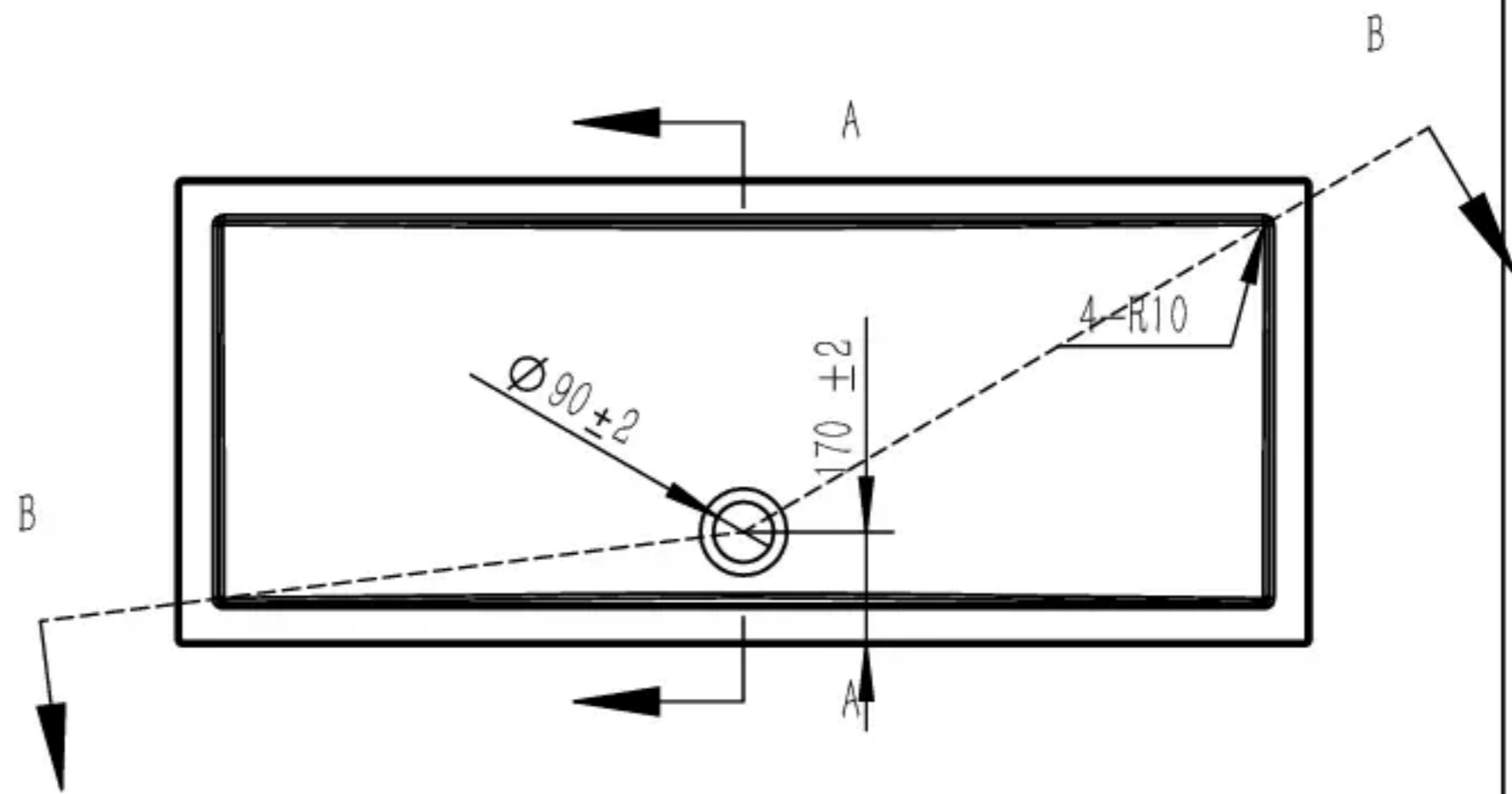


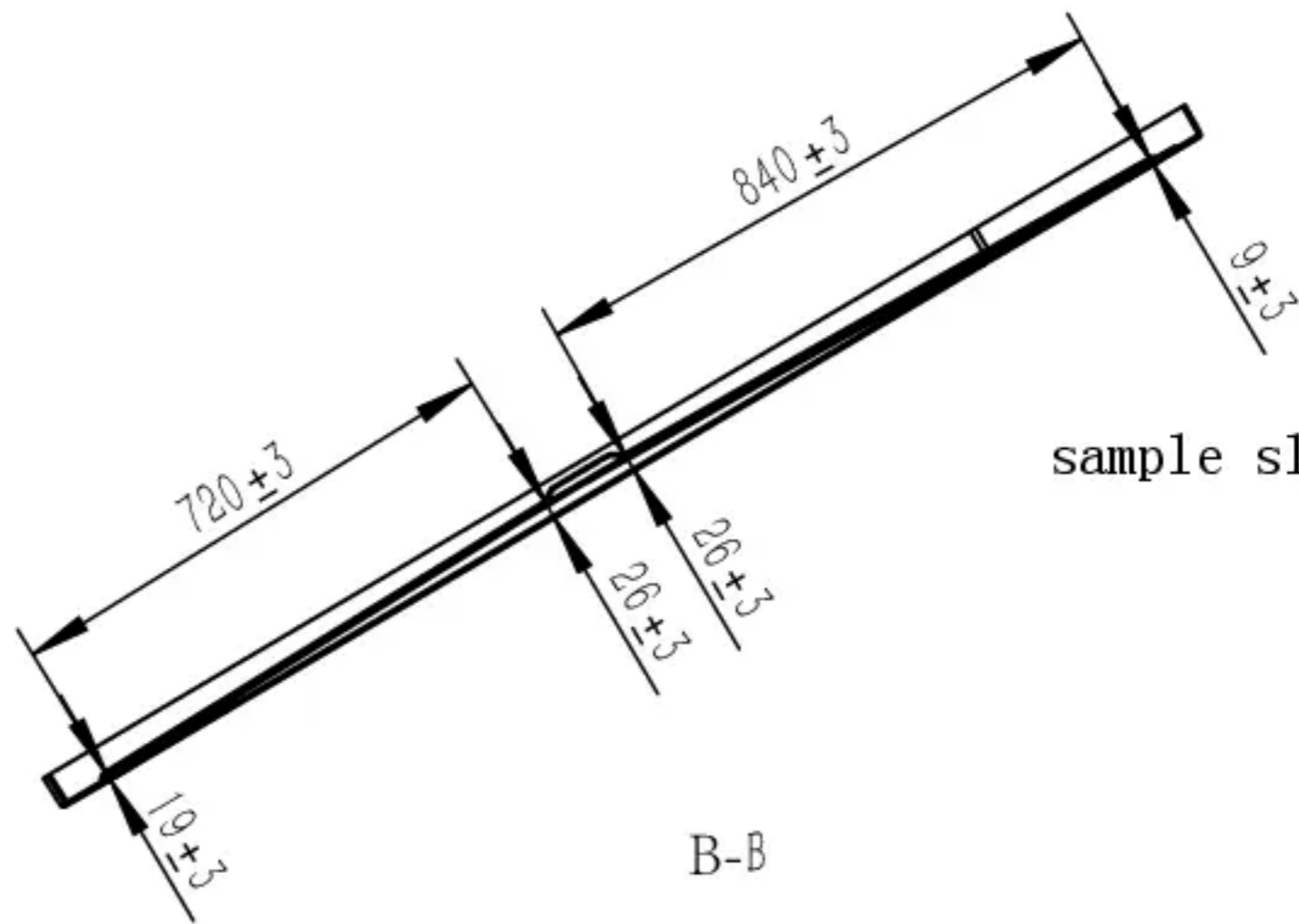
sample slope---3.17%



A-A
1 : 20



sample slope---1%



sample slope---2.02%

B-B

N.W./G.W.: 19.5KGS/21.9KGS

weight tolerance :-5%,+10%

ROYOLED					
			design	date	
			drawing	Mr.Pei	date 2018/9/25
Name	Rectangular tray (700X1700)*50		Checking	date	
			Auditing	date	
ERP NO.			Allowing	date	
Unit	mm	Rate	1,20		
Material					
			A4		Editio C1.0 Page 1/1