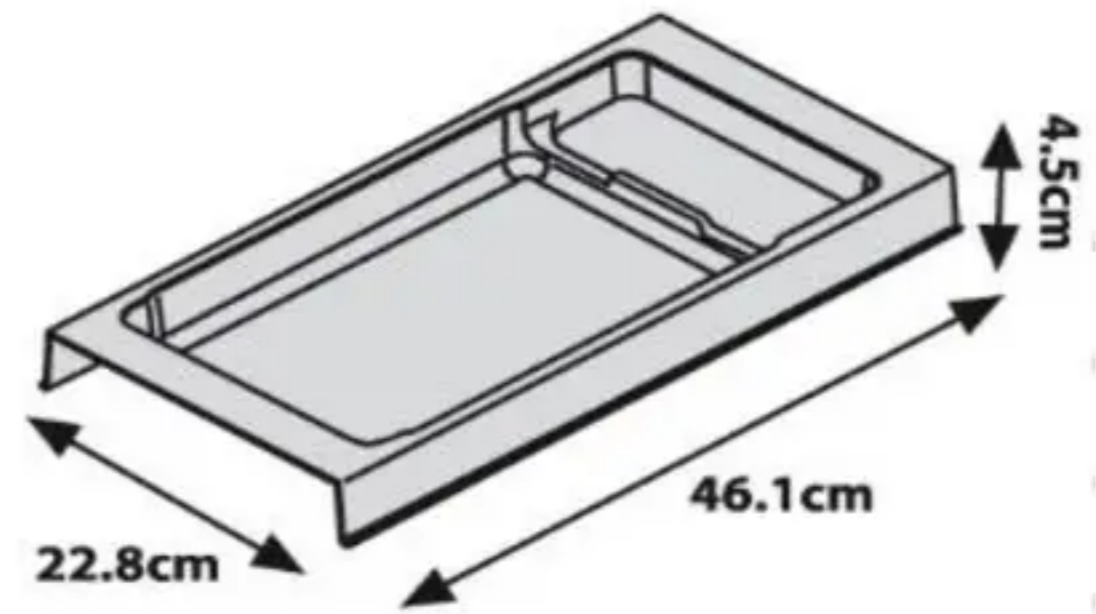


GOLLINUCCI

SPEC SHEET: KITCHEN ACCESSORIES

SPECIFICATION

|                           |                   |
|---------------------------|-------------------|
| DESCRIPTION               | BASE MODULAR G2   |
| RUNNER TYPE               | N/A               |
| BIN LITRE CAPACITY        | 18L or 24L or 40L |
| LOADING AREA PER BASKET   | N/A               |
| MAX LOAD ON RUNNER        | N/A               |
| MAX LOADING PER BASKET    | N/A               |
| SOFT CLOSE                | N/A               |
| APPROVALS & CERTIFICATION |                   |
| PACK SIZE                 | 480x245x330       |
| PACK VOLUME               | 0,039             |
| NETT WEIGHT               | 0,324             |
| GROSS WEIGHT              | 3,540             |
| SUPPLIER                  |                   |
| SUPPLIER CODE             | 6CASG2MULTILM     |
| BAR CODE                  |                   |
| COMMODITY CODE            |                   |
| COUNTRY OF ORIGIN         | ITALY             |
| FSC or PEFC CERTIFICATION |                   |
| IP/DESIGN PROTECTION      |                   |



PACK CONTENTS

| DESCRIPTION | QTY | SIZE        | MATERIAL      | FINISH / COLOUR | DRG No. | MOD |
|-------------|-----|-------------|---------------|-----------------|---------|-----|
| TRAYS       | 10  | 230x461x45  | POLYPROPYLENE | ANTHRACITE GREY |         |     |
| CARTON      | 1   | 480x245x330 | CARDBOARD     | AVANA           |         |     |

PACKAGING

PALLETIZATION

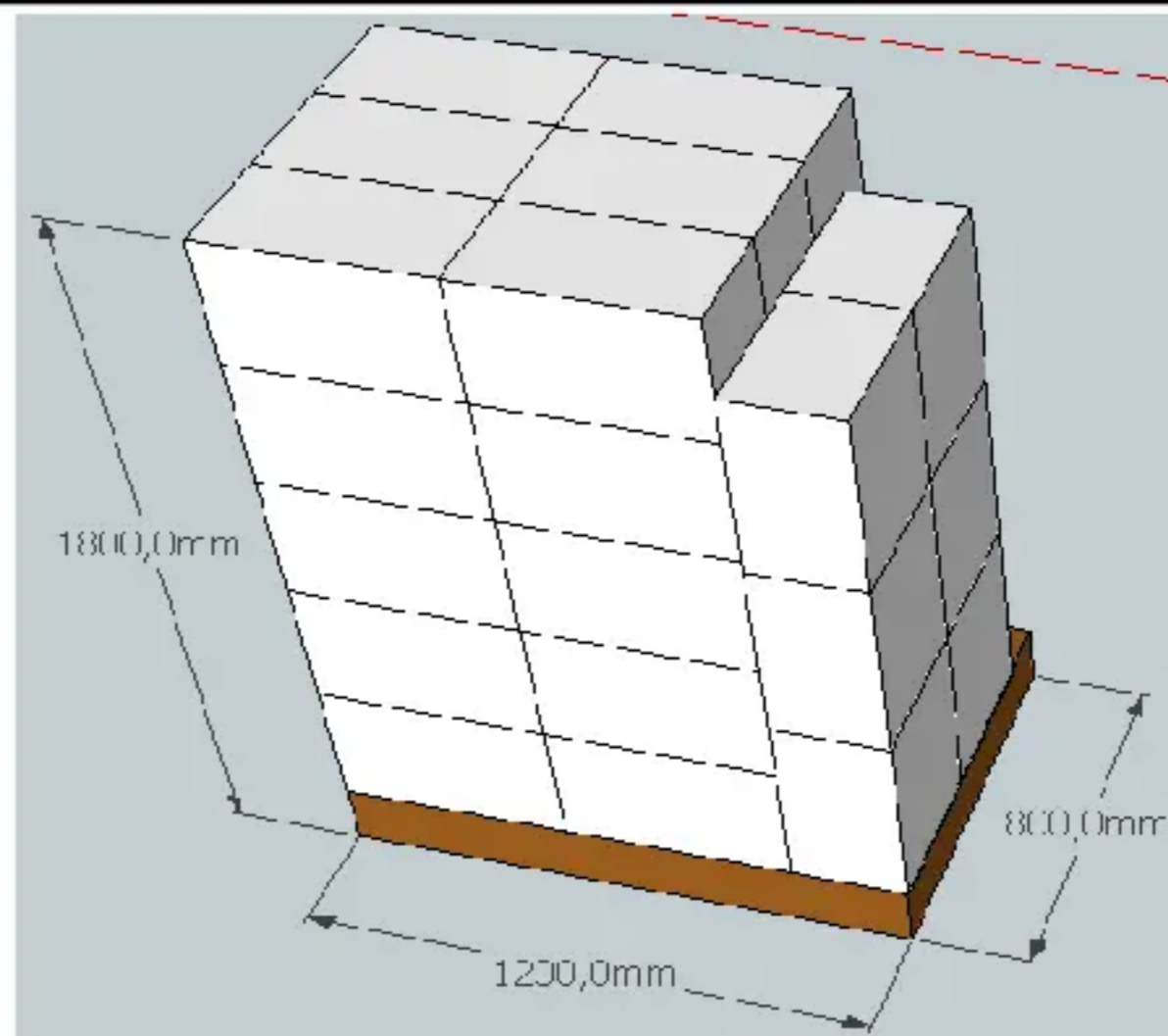
|               |                   |
|---------------|-------------------|
| PLT SIZE      | 1200 x 800 x 1800 |
| PLT QTY       | 360               |
| LOADED SIZE   | 1200 x 800 x 1650 |
| LOADED WEIGHT | 149,5 kg          |

WEIGHTS PER PCS (Kg)

|         |       |
|---------|-------|
| PAPER   | 0,030 |
| PLASTIC | 0,324 |
| WOOD    | 0,000 |
| METAL   | 0,000 |
| GLASS   | 0,000 |
| OTHER   | 0,000 |

TRANSIT WEIGHTS PER PCS (Kg)

|         |       |
|---------|-------|
| PAPER   | 0,030 |
| PLASTIC | 0,324 |
| WOOD    | 0,061 |
| METAL   | 0,000 |
| GLASS   | 0,000 |
| OTHER   | 0,000 |



MODIFICATIONS

| V | CHANGE      | DATE | BY |
|---|-------------|------|----|
| 1 | First Issue |      |    |



Gollinucci s.r.l. a Socio Unico  
 Via Dino Rondani 250 - 47522 Pievesestina di Cesena (FC) Italy  
 Tel.(+39) 0547 318234 - Fax(+39) 0547 318489  
 R.E.A. n.262607 - C.F. & Reg Imprese Forlì-Cesena n.02439640406  
 P.I. 02439640406 Cod.Id.Nr.IT 02439640406 - Capitale Sociale 260.000  
 info@gollinucci.com - www.gollinucci.com