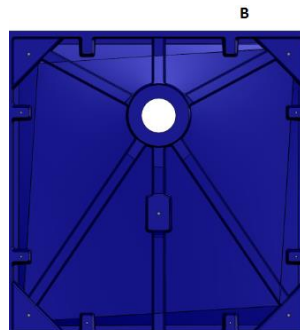
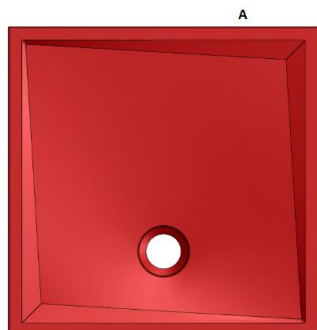


STANDARD

PRODUCT INSPECTION ZONE



PRODUCT COMPLIANCE CRITERIA – RELEASE FOR SHIPMENT

DESCRIPTION		TOLERANCES – A ZONE	TOLERANCES – B ZONE, REMIX 2	TOLERANCES – B ZONE, REMIX 1 EASY	METHOD OF MEASURE	
SURFACE IMPERFECTION	MECHANICAL DAMAGE	<ul style="list-style-type: none"> Scratches, crazing chips cracks 	Unacceptable	Acceptable	Acceptable	Visual, from 100 cm
	SURFACE DEFORMATION no larger than 5 mm	<ul style="list-style-type: none"> oval pulling no larger than 5 mm 	No more than 3 on the 10x10cm ²	Acceptable	Acceptable	Visual, from 100 cm, measuring equipment
	GELCOAT SURFACE	<ul style="list-style-type: none"> cracks in paint 	Unacceptable	N/A no paint on side B	N/A no paint on side B	Visual, from 100 cm
		<ul style="list-style-type: none"> air bubbles 	Unacceptable	Acceptable	Acceptable	Visual, from 100 cm
		<ul style="list-style-type: none"> incorrect painting: <ul style="list-style-type: none"> - lack of full coverage with gelcoat - inside material shine through gel coat 	Unacceptable	N/A no paint on side B	N/A no paint on side B	Visual, from 100 cm
<ul style="list-style-type: none"> stains discolorations 	Unacceptable	Acceptable	Acceptable	Visual, from 100 cm		
SHAPE	DEFLECTION OF PRODUCT	<ul style="list-style-type: none"> bending, twist 	<1200 +/- 2 mm >1200 +/- 3 mm		Measuring equipment	
INCOMPATIBILITY with specification (shower trays)	TYPE OF PRODUCT (NOT COMPATIBLE WITH THE LABELING)		Unacceptable		Visual	
	PRODUCT COLOUR		Unacceptable		Visual	
	INCORRECT HOLES, LACK OF HOLES		Unacceptable		Visual	
	DIMENSIONS	<ul style="list-style-type: none"> Length 	0/+5 mm		Measuring equipment	
		<ul style="list-style-type: none"> Height 	+2/-1 mm			
		<ul style="list-style-type: none"> Width 	0/+5 mm			
<ul style="list-style-type: none"> Thickness 		+2/-1 mm				
<ul style="list-style-type: none"> Holes location 		+/- 2 mm				
<ul style="list-style-type: none"> Holes diameter 	+/- 1 mm					

PACKAGING COMPLIANCE CRITERIA - RELEASE FOR SHIPMENT

PACKAGING MECHANICAL DAMAGES	RAPTURED PACKAGING	<ul style="list-style-type: none"> damaged edges dents tear 	Unacceptable	Visual
PACKAGING INCOMPATIBILITY	MISSING LABELING on the box	<ul style="list-style-type: none"> 2 x Sensea labels placed on the box 1 x manufacturer box label placed on the box 	Unacceptable	Visual
	ILLEGIBLE LABELING		Unacceptable	Visual
	LABALING IMPROPERLY PUT, MOVED AGAINST FROM STANDARD POSITION, BUT NOT MISSING		Acceptable IF legible	Visual
	WRONG SIZE OF THE BOX		Unacceptable	Visual
	ELEMENTS MSISING (inside the box)	<ul style="list-style-type: none"> accessory – steel grid (Remix) 	Unacceptable. *Grid to be packed in contact with the bottom side of the shower tray. Never with top side.	Visual
<ul style="list-style-type: none"> instruction for user 		Unacceptable	Visual	
<ul style="list-style-type: none"> fleece/paper (Remix) foil (Easy) 		Unacceptable	Visual	
<ul style="list-style-type: none"> cardboard fillers 		Unacceptable	Visual	

PACKAGING VISUALISATION

EASY



Each box contains:
Shower tray (bottom site down)
3 cardboard fillers
Instruction



Each box is assembled
with 4 PET bands

REMIX 1



Each box contains:
Shower tray (bottom site up)
covered with an interfacing and paper.
3 cardboard fillers
Instruction



Each box is assembled
with 4 PET bands

REMIX 2



Each box contains:
Shower tray (bottom site up) covered
with an intersection and paper
3 cardboard fillers
Instruction



Each box is assembled
with 4 PET bands

LABELING

Marmite product labeling

Easy, Remix 1



Remix 2



product labeling

<p>LABEL NO.</p>  <p>16002500</p> <p>ARTICLE NO.</p>  <p>1802052044</p> <p>MODEL</p> <p>607343163036</p> <p>REMIX 1</p>	<p>DIMENSION</p> <p>1600x500</p> <p>SHAPE</p> <p>RECT</p> <p>MOULD NO.</p> <p>FZ343167001</p> <p>DATE: 1841</p>	<p>CUSTOMER NO.</p> <p>81989231</p> <p>COLOUR</p> <p>BLACK/NOIR</p> <p><small>Air bubbles on the bottom side are no reason for claim.</small></p>	<p>MAX WATER TEMP 75°C</p> <p>CE</p> <p><small>ADEO Services 125 Rue Saint-Carnot - CS80001 50700 REMICHAUX - FRANCE 18 Identification type code: REMIX FHS EN 14527:2006 - A1:2010 CL1 - CL2 CA - DA DnP N°: NZ7648 - 0003 - ADEO - 18</small></p> <p><small>Showtray for personal hygiene and domestic purposes</small></p>
	<p><small>Air bubbles on the bottom side are no reason for claim.</small></p>		

Sensea box labeling



Marmite box labeling



LABEL NO.	
ARTICLE NO.	607343163033
MODEL	REMIX 1
DIMENSION	1600x900
COLOUR	TOP – SOLID WHITE
DISPOSAL	RECT
DATE	181005
CUST. ARTICLE NO.	81989217
EAN CODE	

additional box labeling - Brazil (example)

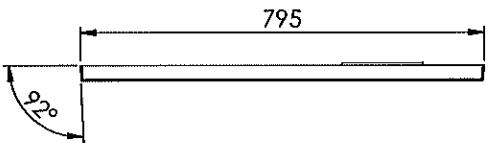
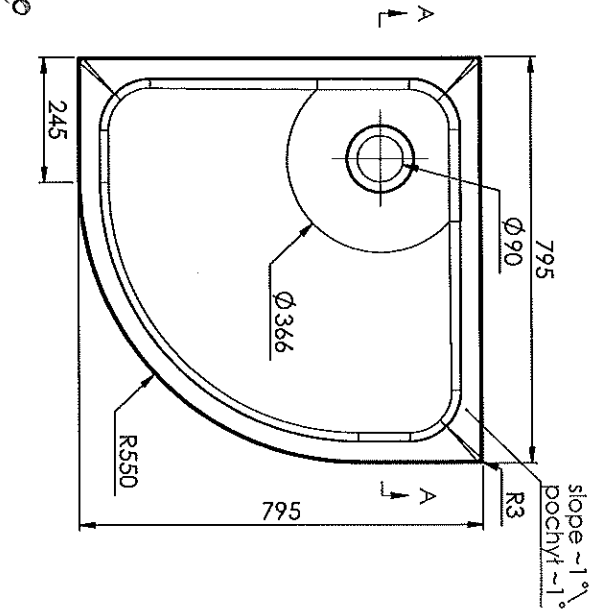
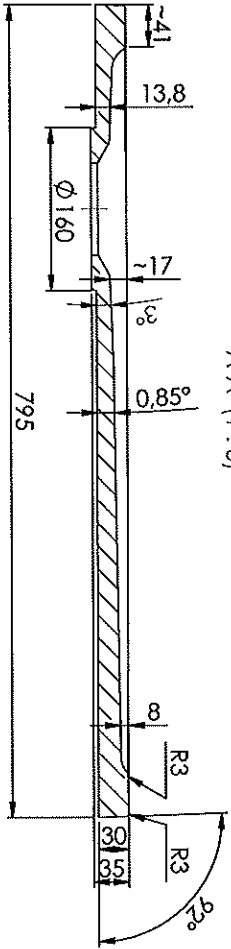
EAN: 3276000464921
Descricao: BANDEJA BOX PARA BANHEIRO TRAYS REMIX RESIN GREY MAT
Contem: 1 unidade – 80cm x 1,40m
Origem: Polonia
Composicao do produto: Dolomita e aco inoxidavel
Prazo de validade: Indeterminado (produto nao perecivel)
Lote: 1801274609
 Importado e distribuido por LEROY MERLIN CIA BRASILEIRA DE BRICOLAGEM – CNPJ 01.438.784/0001-05
 Rua Domingas Galliteri Blotta , no 315 Sao Paulo/SP – CEP: 04455-360
 CALM (Central de Atendimento Leroy Merlin): Capitais 4020-5376 – Demais Regioes 0800-0205376

additional pallet labeling - Brazil (example)

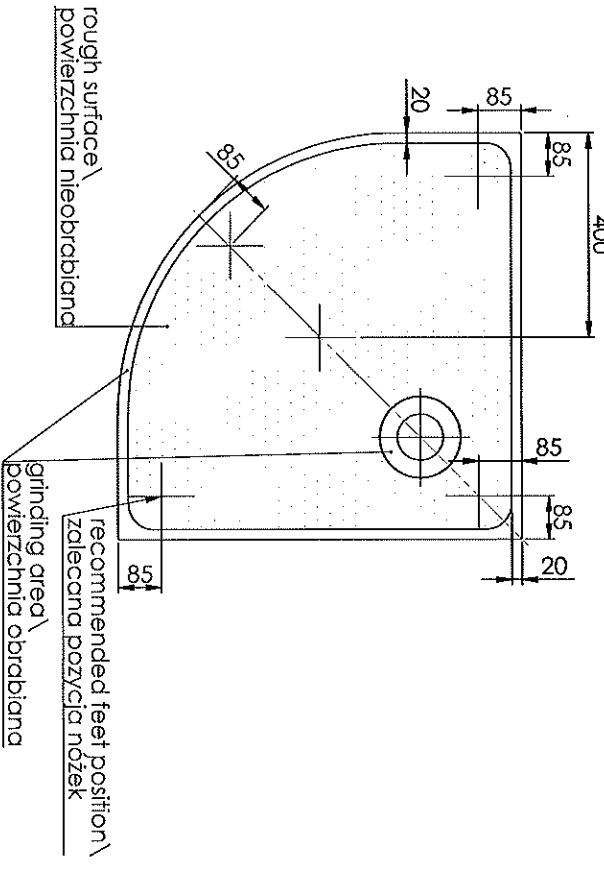
Dest : BRASIL Made in: POLAND Manu. Code: 207285	NW : 849 kg GW : 942 kg PALET Size : 154x90x122cm
Unit Sale : 3 2760004 6492 1 Bandeja box para banheiro trays REMIX RESIN GRAY MAT 140x80	Importado por: LEROY MERLIN CIA BRASILEIRA DE BRICOLAGEM NPJ 01.438.784/00001-05
Code Atlas : 844260 Supplier ref 607342143067	
13 pieces	PALLET : Number 00/00

UWAGI/KOMENTARZE

A-A (1:5)



Bottom view - feet position /
widok z dołu - rozstaw stópek



Antyślizp "MS053" in whole surface of slope /
Antyślizp "MS053" w całej powierzchni spływu

Rev	Design Change Note	Author	Date
A	Internal validation	ZP	2018-05-24
001	Approved by the client	ZP	2018-06-13

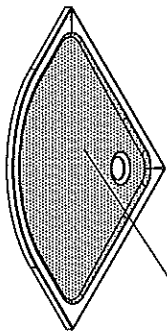
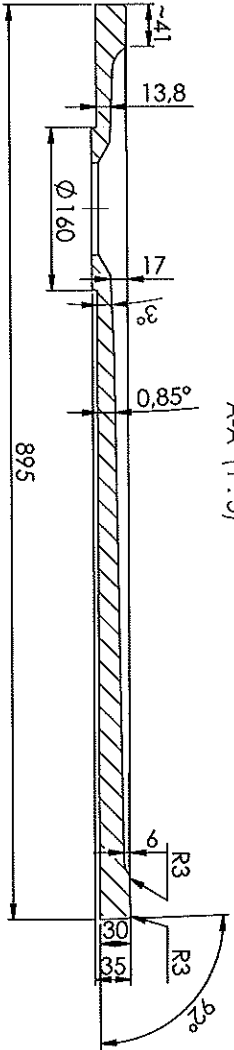
Approved Note
14/06/2018

Tolerance length/width	+5/0 mm	Drawn by	Created date	Checked by	Art. Name:	ST EASY 800X800 RADIE	MAQUID No:	F7338081
Tolerance height	+2/-2 mm	Refcal B	2018-05-24	Refcal B	Art. No.:	6073380810xx		
Tolerance plane bending	≤1200 mm +2/-2 mm ≤1200 mm +3/-3 mm	Project name	Approved	Client	Customer Id.:	3127		
Tolerance thickness	+2/-2 mm							
Tolerance grinding	+2/0 mm							
Tolerance feet location	+2/-2 mm							
Tolerance holes location	+2/-2 mm							
Tolerance holes diameter	+1/-1 mm							



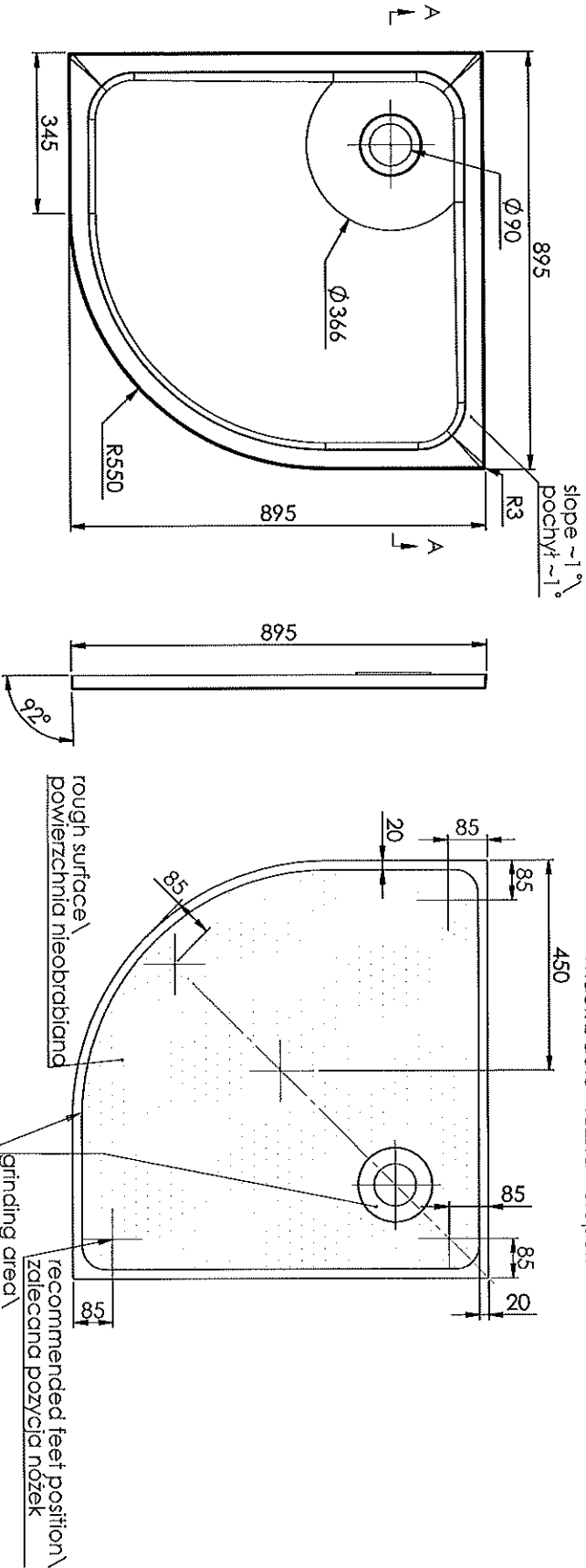
1214482	A3	1:10	001	1\1
---------	----	------	-----	-----

A-A (1:5)



Antyślizp "MS053" in whole surface of slope /
Antyślizp "MS053" w całej powierzchni sprywu

Bottom view - feet position /
widok z dołu - rozstaw stopek

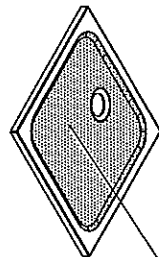
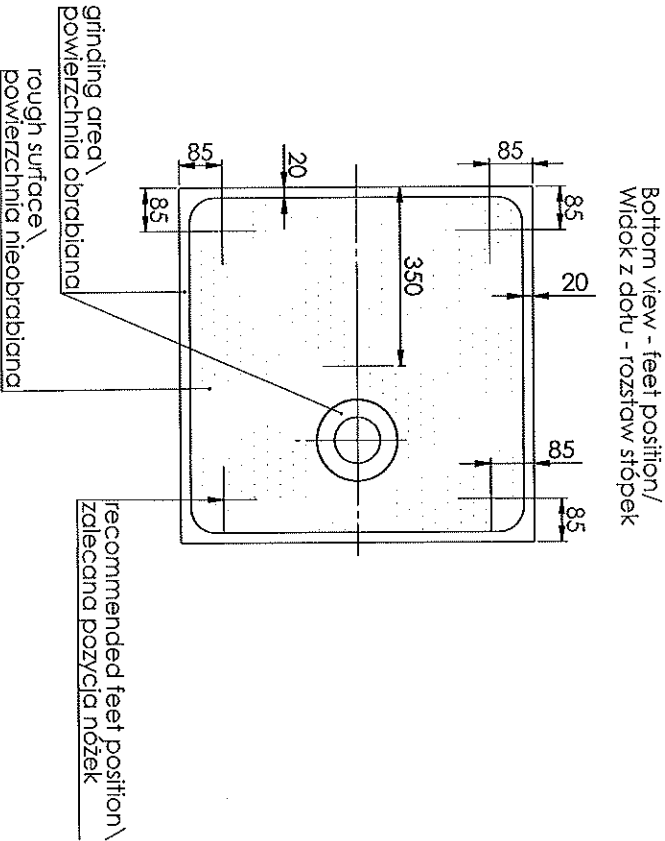
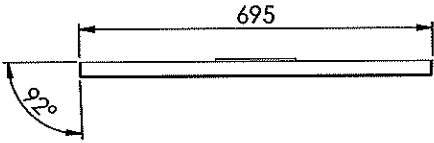
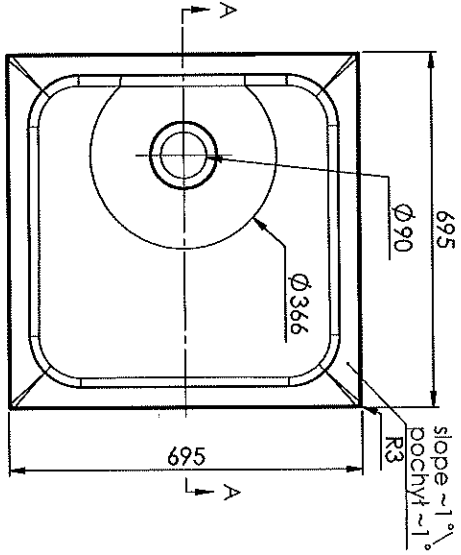
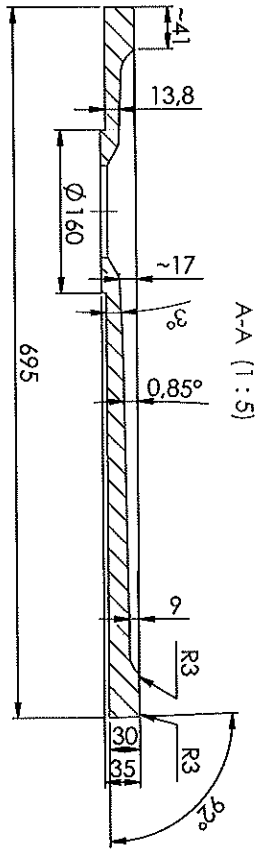


Approved holes
14/06/2018

Tolerance length/width	+5/0 mm	Created by	2018-05-24	Checked by	Ref: B	Art. Name:	ST EASY 900X900 RADIE	Module No.:	F7339091
Tolerance height	+2/-2 mm	Project status:	Approved	Client:	LEROY MERLIN	Art. No.:	6073390910xxx	Customer ID:	3127
Tolerance plane bending	≤1200 mm +2/-2 mm ≥1200 mm +3/-3 mm	Material (volume/weight)	Overseas	Order No.:	16196548	Scale:	1:10	Current revision	001
Tolerance thickness	+2/-2 mm	Stroke (mm)	A3	Sheet size	895 x 895 / 35	Current revision	001	Scale	1:1
Tolerance grinding	+2/0 mm	Stroke (mm)	1563395	Sheet size	A3	Current revision	001	Scale	1:1
Tolerance feet location	+2/-2 mm	Stroke (mm)	1563395	Sheet size	A3	Current revision	001	Scale	1:1
Tolerance holes location	+2/-2 mm	Stroke (mm)	1563395	Sheet size	A3	Current revision	001	Scale	1:1
Tolerance holes diameter	+1/-1 mm	Stroke (mm)	1563395	Sheet size	A3	Current revision	001	Scale	1:1

Rev	Design Change Note	Author	Date
A	Internal validation	ZP	2018-05-24
001	Approved by the client	ZP	2018-05-13

Approved video
24.06.2018
[Signature]



Antyślizp "MS053" in whole surface of slope/
Antyślizp "MS053" w całej powierzchni spływu

Rev	Design Change Note	Author	Date
A	Internal validation	ZP	2018-05-24
001	Approved by the client	ZP	2018-06-13

Tolerance length/width	+5/0 mm	Drawn by	Zbigniew P	Created Date	2108-05-24	Created by	Rafał B	Art. Name:	ST EASY 700X700 RECT	Module No:	F7337072
Tolerance height	+2/-2 mm	Project leader	Approved	Client	LEROY MERLIN	Art. No:	60733707200x	Customer ID:	3127	Material	695 x 695 / 35
Tolerance plane banding	<1200 mm >1200 mm										
Tolerance thickness	+2/-2 mm										
Tolerance grinding	+2/0 mm										
Tolerance feet location	+7/-7 mm										
Tolerance holes location	+2/-2 mm										
Tolerance holes diameter	+1/-1 mm										

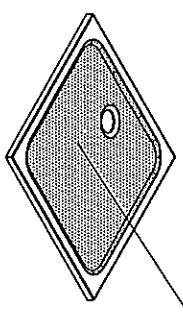
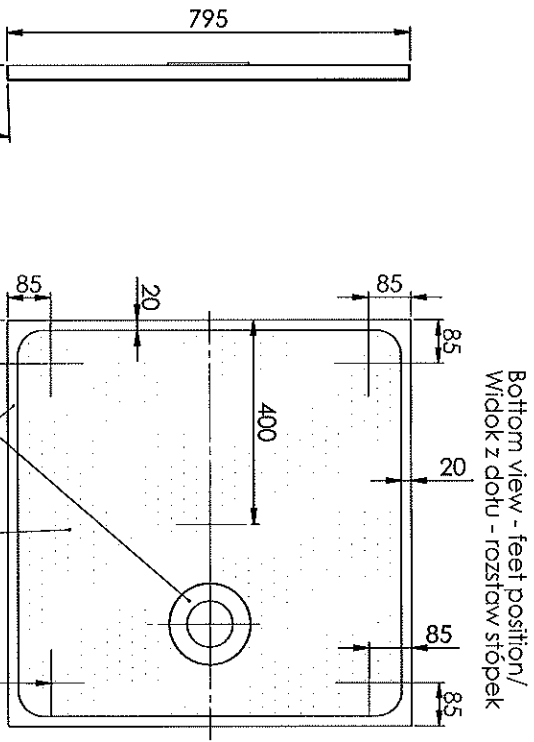
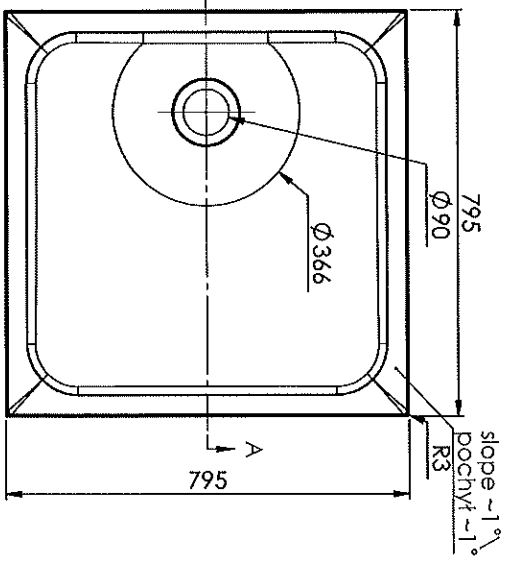
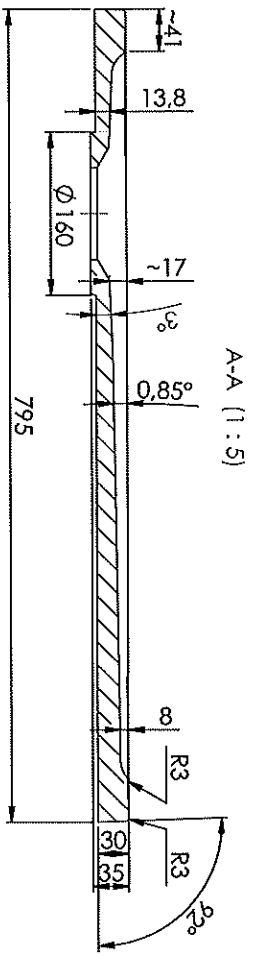


1041872 A3 1:10



Regulator 1/1

Rev	Design Change Note	Author	Date
A	Internal validation	ZP	2018-05-24
001	Approved by the client	ZP	2018-06-13



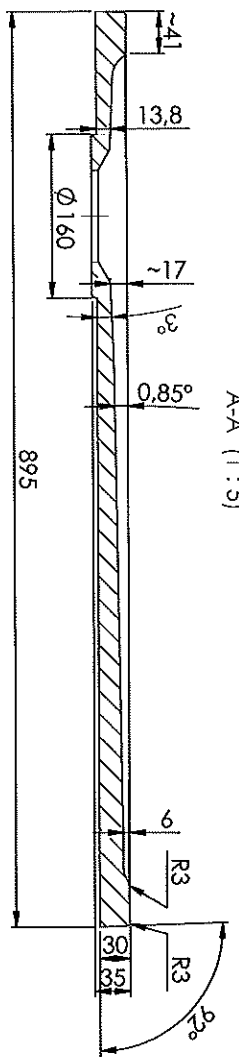
Antyślizp "MS053" in whole surface of slope/
Antyślizp "MS053" w całej powierzchni spływu

Bottom view - feet position/
Widok z dołu - rozstaw stopek

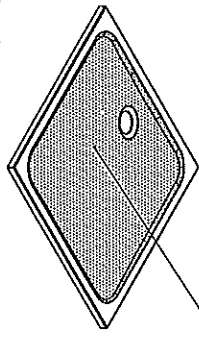
Approved
14.06.2019

Tolerance length/width	+5/0 mm	Drawn by	Zbigniew P	Created date	21.08-05-24	Checked by	Reda B	Art. Name:	ST EASY 800X800 RECT	Module No:	F7338082
Tolerance height	+2/-2 mm	Project start	Approved	Client	LEROY MERLIN	Customer ID:	3127	Art. No:	6073380820XX	Material	795 x 795 / 35
Tolerance plane bending	$\le 1200 \text{ mm}$ +2/-2 mm $\le 1200 \text{ mm}$ +3/-3 mm	Tolerance thickness	+2/-2 mm	Tolerance grinding	+2/0 mm	Tolerance feet location	+2/-2 mm	Tolerance holes location	+2/-2 mm	Tolerance holes diameter	+1/-1 mm
			Customer ID:	3127	Scale	1:10	Current revision	001	Drawn	Regulor	1/1

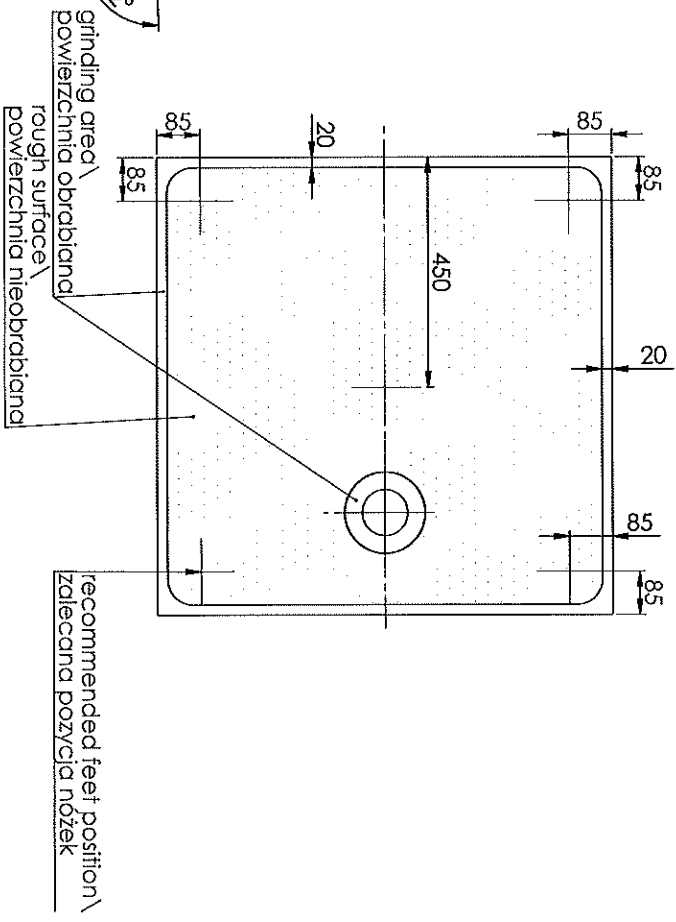
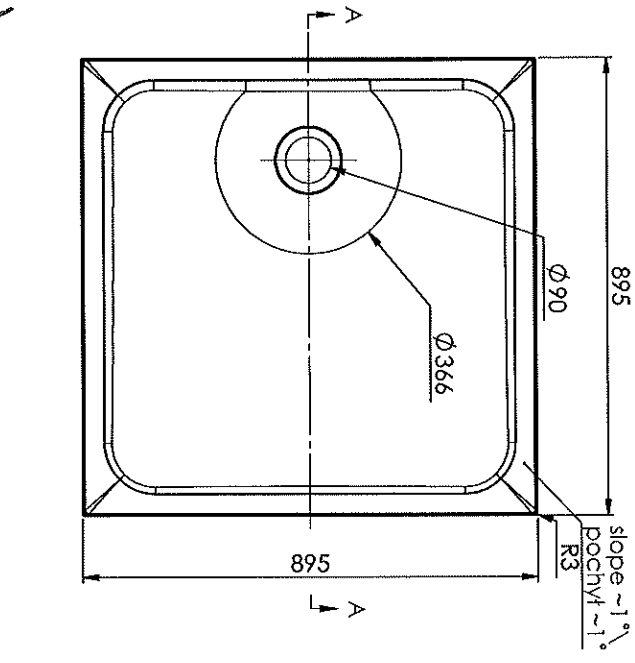
A-A (1:5)



Antyślizp "MS053" in whole surface of slope/
Antyślizp "MS053" w całej powierzchni spływu



Bottom view - feet position/
Widok z dołu - rozstaw stóppek



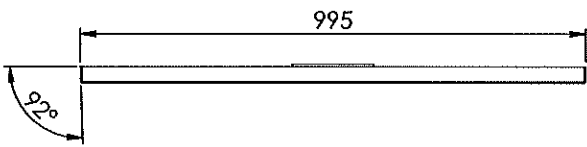
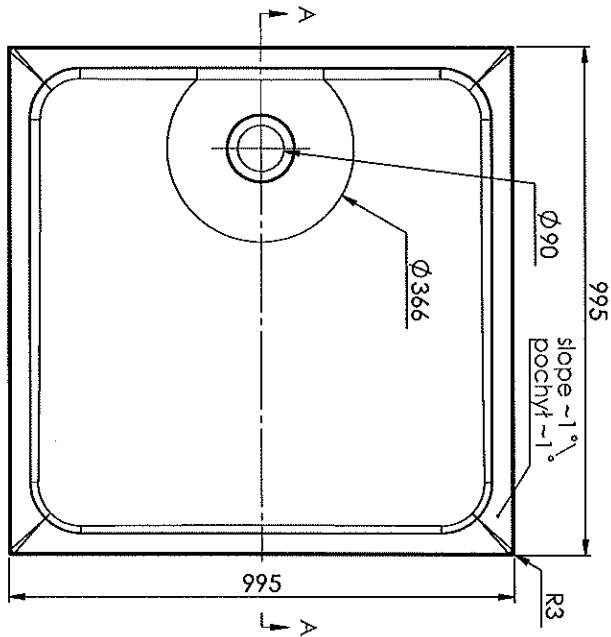
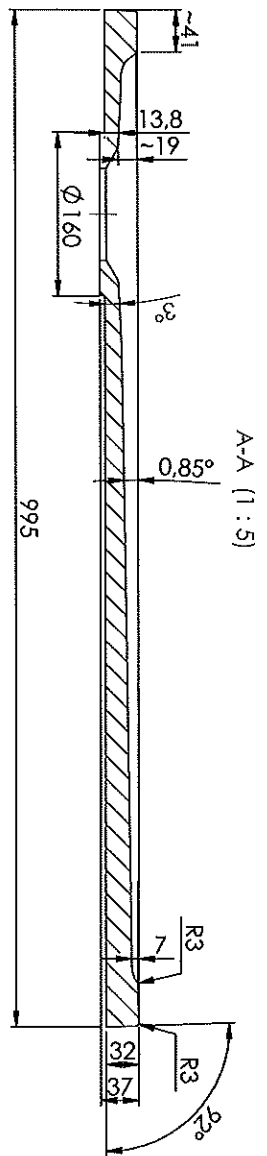
Approved
13.06.2018

Tolerance length/width	+5/0 mm	Drawn by	Created Date	Art. Name:	ST EASY 900X900 RECT	Module No:	F7339092
Tolerance height	+2/-2 mm	Project name	Client	Art. No:	6073390920XX		
Tolerance plane bending	≤1200 mm +2/-2 mm ≤1200 mm +3/-3 mm	Project name	Client	Customer Id:	3127		
Tolerance thickness	+2/-2 mm	Project name	Client	Customer Id:	3127		
Tolerance grinding	+2/0 mm	Project name	Client	Customer Id:	3127		
Tolerance feet location	+2/-2 mm	Project name	Client	Customer Id:	3127		
Tolerance holes location	+2/-2 mm	Project name	Client	Customer Id:	3127		
Tolerance holes diameter	+1/-1 mm	Project name	Client	Customer Id:	3127		

MARMITE
 Created by: Rafał B
 Client: LEROY MERLIN

Scale	0	Year introduced LTV/FR	895 x 895 / 35	Current revision	001
Sheet size	A3	Scale	1:10	Current revision	001
Scale	1:10	Scale	1:10	Current revision	001

Rev	Design Change Note	Author	Date
A	Internal validation	ZP	2018-05-24
001	Approved by the client	ZP	2018-04-13

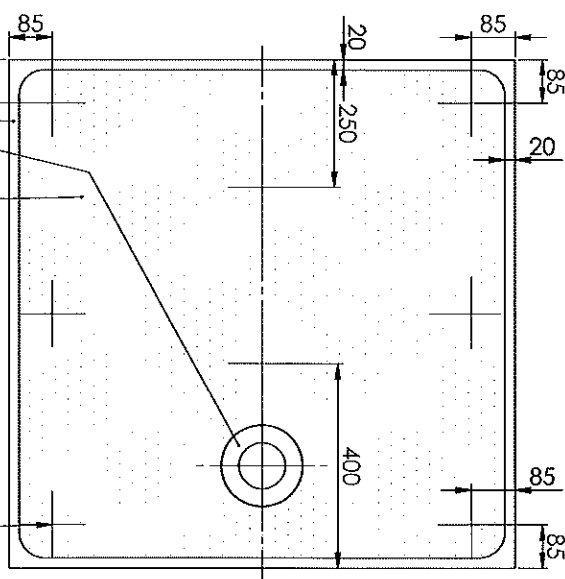


grinding area /
powierzchnia obrabiana

rough surface /
powierzchnia nieobrabiana

recommended feet position /
zalecana pozycja nożek

Bottom view - feet position /
widok z dołu - rozstaw stópki

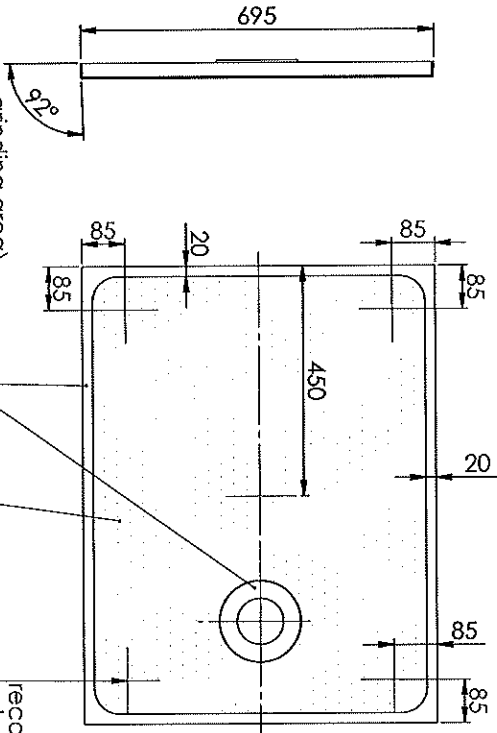
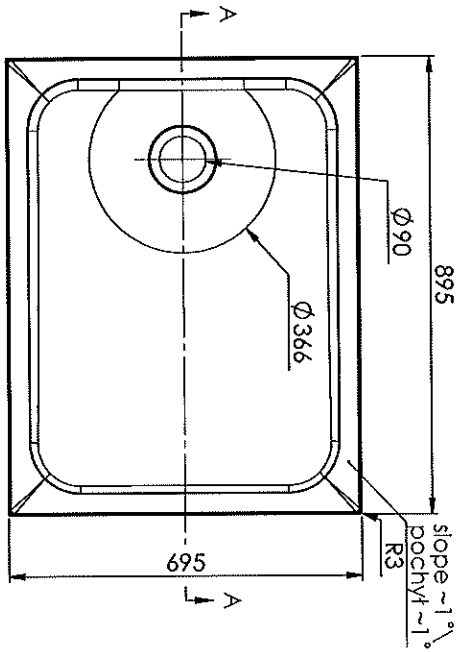
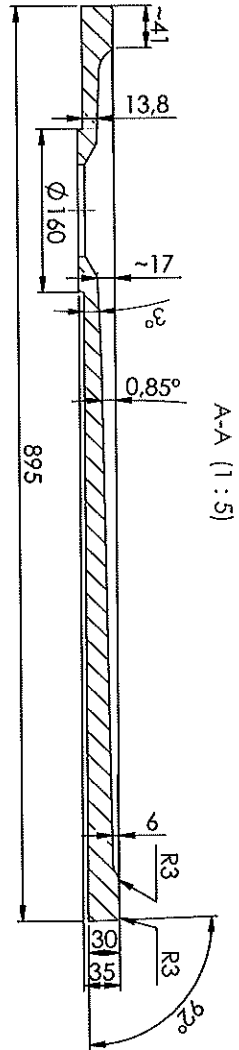


Antyślizp "MS053" in whole surface of slope /
Antyślizp "MS053" w całej powierzchni spływu

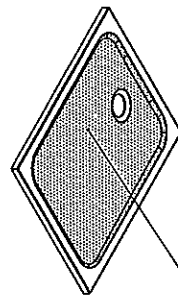
Approved
14.06.2018

Tolerance length/width	+5/0 mm	Drawn by	Graded Date	Checked by	Appr. Name:	Customer ID:	Mold No.	Material	
Tolerance height	+2/-2 mm	Zbigniew P	2018-05-24	Rafał B	ST EASY 1000X1000 RECT	3127	F7340102	Regular	
Tolerance plane bending	≤1200 mm ±2/2 mm ≤1200 mm ±3/3 mm	Project status:	Client		A41 No.:				
Tolerance thickness	+2/-2 mm	Approved	LEROY MERLIN		60734010200x				
Tolerance grinding	+2/0 mm								
Tolerance feet location	+7/7 mm								
Tolerance holes location	+2/2 mm								
Tolerance holes diameter	+1/-1 mm								
MARMITE		Magazyn (magazyn) / Składowisko		Dział / Sec.		Skala		Materiał	
		22301021		A3		1:10		001	
		2099250						1\1	

Rev	Design Change Note	Author	Date
A	Internal validation	ZP	2018-05-24
001	Approved by the client	ZP	2018-04-13



Bottom view - feet position /
widok z dołu - rozstaw stopek



Antyślizp "MS053" in whole surface of slope /
Antyślizp "MS053" w całej powierzchni spływu

recommended feet position \
zalecana pozycja nóżek

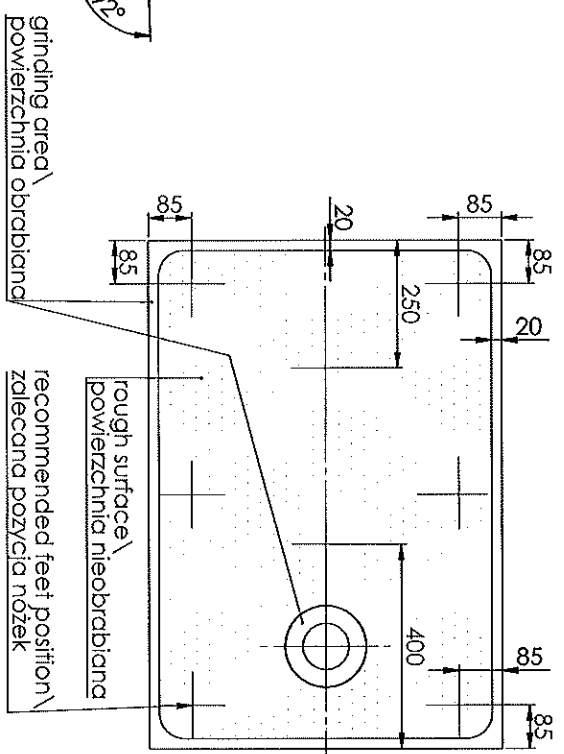
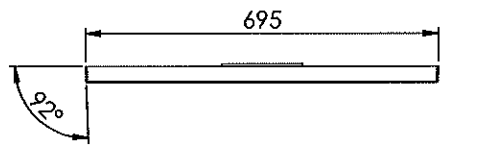
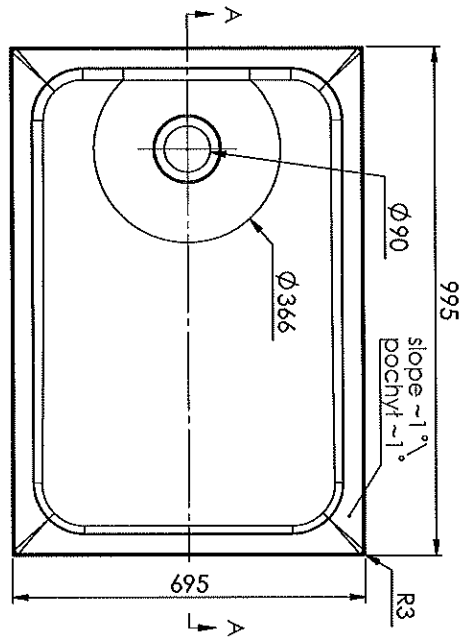
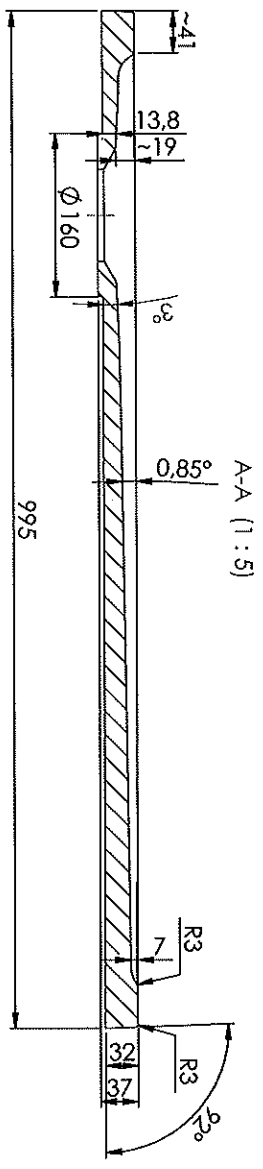
Approved
14.06.2018

Tolerance length/width	+5/0 mm	Project No:	2108-05-24	Created by:	Rafał B
Tolerance height	+2/-2 mm	Project state:	Approved	Client:	LEROY MERLIN
Tolerance plane bending	±1200 mm ±2/±2 mm	Customer ID:	3127	Art. Name:	ST EASY 900X700 RECT
Tolerance thickness	+2/-2 mm	Material (customer name) / version:	13372342	Art. No:	6073370930XX
Tolerance grinding	+2/0 mm	Sheet size:	A3	Scale:	1:10
Tolerance feet location	+7/-2 mm	Scale:	1:10	Sheet format (L x W / H) (mm):	895 x 695 / 35
Tolerance holes location	+2/-2 mm	Current revision:	001	Drawn:	Regulator
Tolerance holes diameter	+1/-1 mm	Scale:	1:10	Sheet:	1/1



Module No: F7337093

Approved
 14/06/2018



Bottom view - feet position /
 Widok z dołu - rozstaw stopek

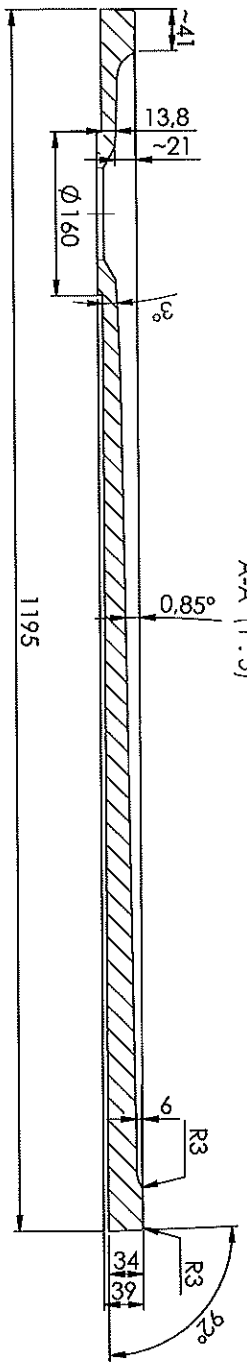
Antyślizp "MS053" in whole surface of slope /
 Antyślizp "MS053" w całej powierzchni spływu

Rev	Design Change Note	Author	Date
A	Internal validation	ZP	2018-05-24
001	Approved by the client	ZP	2018-06-13

Tolerance length/width	+5/0 mm	Project No.	Zbigniew P	Created date	2018-05-24	Checked by	Rafał B	Art. Name:	ST EASY 1000X700 RECT	Module No:	F7337103
Tolerance height	+2/-2 mm	Project status	Approved	Client	LEROY MERLIN	Art. No.:	6073371030xx	Customer ID:	3127	Material (volume/mm³) / Coefficient	15444311
Tolerance plane bending	K1200 mm ±2/-2 mm S1200 mm ±3/-3 mm	Art. No.:	6073371030xx	Scale	0	Max dimension LxW/H (mm)	995 x 695 / 37	Current revision	001	Order	Regular
Tolerance thickness	+2/-2 mm	Material (volume/mm³) / Coefficient	15444311	Scale	0	Max dimension LxW/H (mm)	995 x 695 / 37	Current revision	001	Order	Regular
Tolerance grinding	+2/0 mm	Material (volume/mm³) / Coefficient	15444311	Scale	0	Max dimension LxW/H (mm)	995 x 695 / 37	Current revision	001	Order	Regular
Tolerance feet location	+7/-7 mm	Material (volume/mm³) / Coefficient	15444311	Scale	0	Max dimension LxW/H (mm)	995 x 695 / 37	Current revision	001	Order	Regular
Tolerance holes location	+2/-2 mm	Material (volume/mm³) / Coefficient	15444311	Scale	0	Max dimension LxW/H (mm)	995 x 695 / 37	Current revision	001	Order	Regular
Tolerance holes diameter	+1/-1 mm	Material (volume/mm³) / Coefficient	15444311	Scale	0	Max dimension LxW/H (mm)	995 x 695 / 37	Current revision	001	Order	Regular

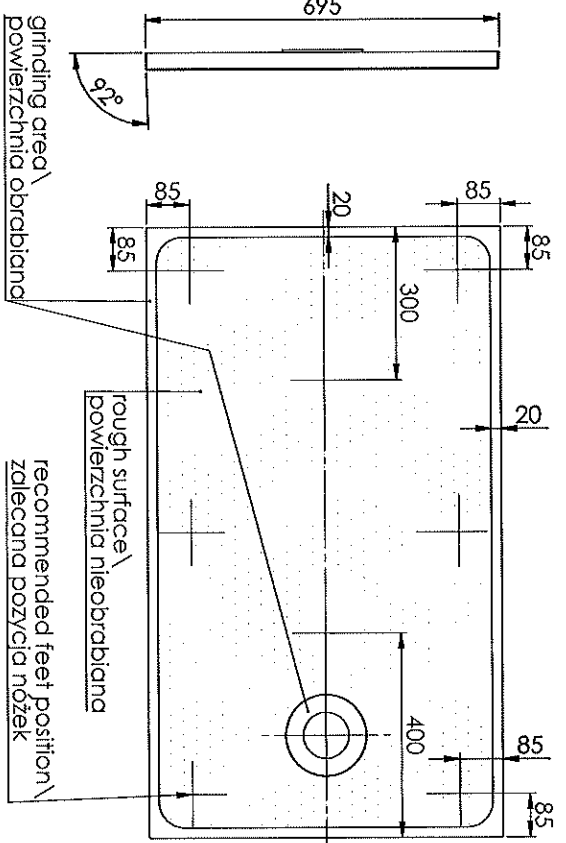
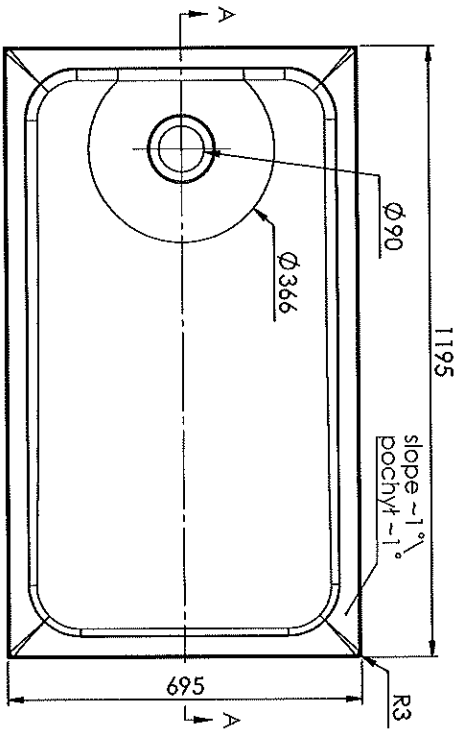
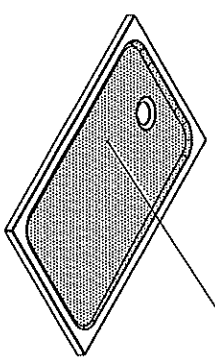


1 2 3 4 5 6 7 8



A-A (1 : 5)

Antyslip "MS053" in whole surface of slope/
Antyslip "MS053" w całej powierzchni spływu



Bottom view - feet position/
Widok z dołu - rozstaw stópek

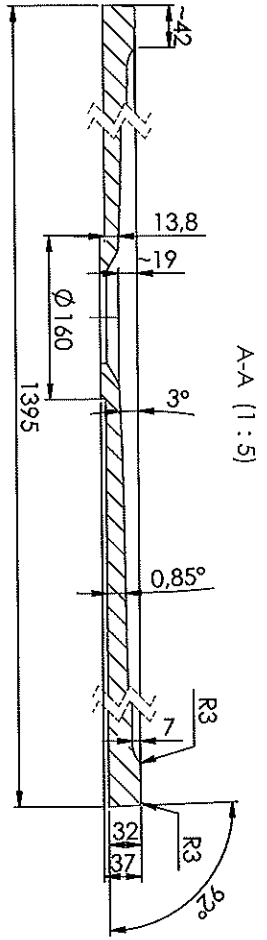
Approved
14.06.2018

Tolerance length/width	+5/0 mm	Project name	2018-05-24	Created by	Rafał B	Art. Name:	ST EASY 1200X700 RECT	Model No:	F7337123
Tolerance height	+2/-2 mm	Project status	Approved	Customer	LEROY MERLIN	Art. No:	6073371230xx	Customer No:	3127
Tolerance plane bending	+1200 mm +3/-3 mm	Created date	2018-05-24	Graded by	Rafał B	Technical drawing (mm)	Customer	Response	0
Tolerance thickness	+2/-2 mm	Project name	2018-05-24	Created by	Rafał B	Sheet size	A3	Scale	1:10
Tolerance grinding	+2/0 mm	Customer	LEROY MERLIN	Art. Name:	ST EASY 1200X700 RECT	Material (mm)	1784300	Scale	1:10
Tolerance feet location	+7/-2 mm	Customer	LEROY MERLIN	Art. No:	6073371230xx	Material (mm)	1784300	Scale	1:10
Tolerance holes location	+2/-2 mm	Customer	LEROY MERLIN	Art. No:	6073371230xx	Material (mm)	1784300	Scale	1:10
Tolerance holes diameter	+1/-1 mm	Customer	LEROY MERLIN	Art. No:	6073371230xx	Material (mm)	1784300	Scale	1:10

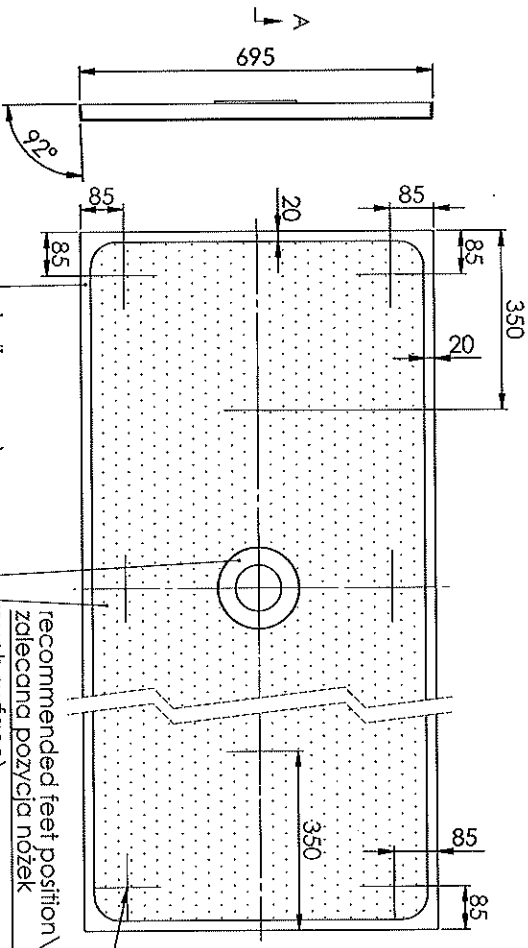
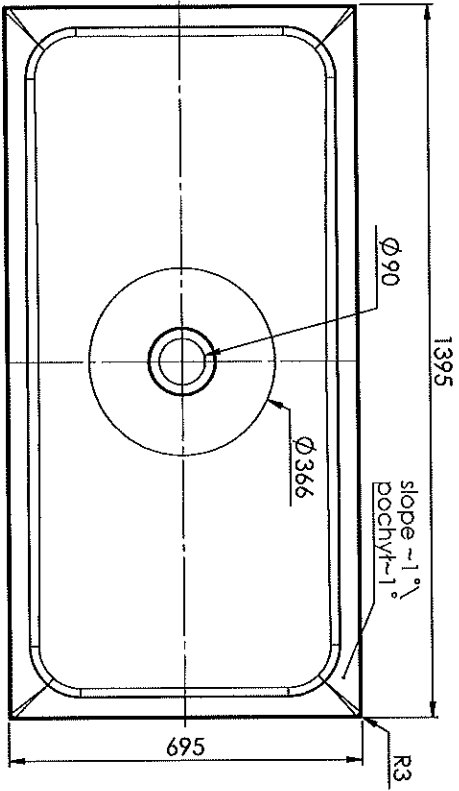


1 2 3 4 5 6 7 8

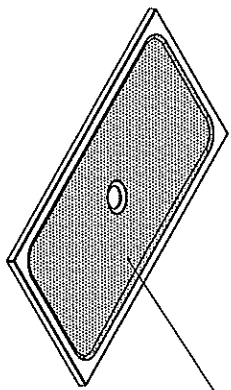
Rev	Design Change Note	Author	Date
A	Internal validation	ZP	2018-05-24
001	Approved by the client	ZP	2018-06-13



A-A (1 : 5)



Bottom view - feet position/
Widok z dołu - rozstaw stópek

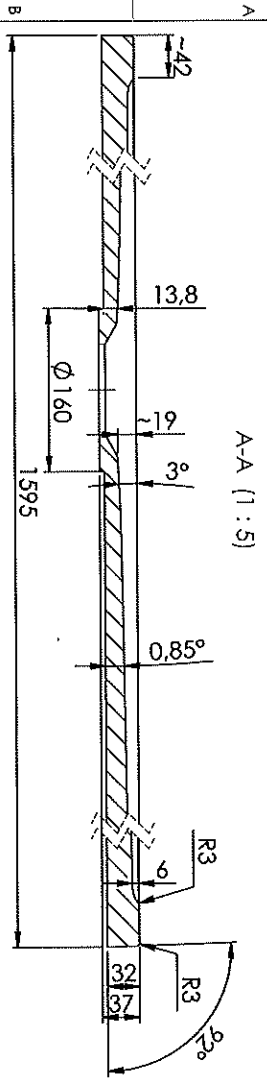


Antyslip "MS053" in whole surface of slope/
Antyslip "MS053" w całej powierzchni spływu

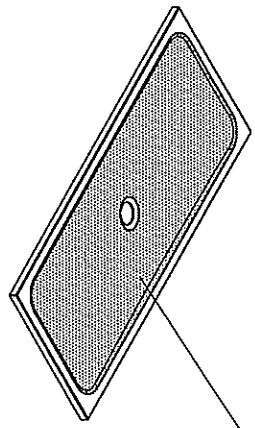
Approved Above
Milob/2018

Tolerance length/width	+5/0 mm	Project by	2018-05-24	Created by	Art. Name:	ST EASY 1400X700 RECT	Project	2018-05-24	Author	2018-05-24
Tolerance height	+2/-2 mm	Project name	Approved	Ref: B	Art. No:	6073371430XX	Customer ID:	3127	Scale	1:10
Tolerance plane bending	±1/200 mm	Client	LENOY MERLIN	Material	Material (volume/m ²)	3127	Material (weight/m ²)	21386274	Material (LxVxH/mm)	1395 x 695 / 37
Tolerance thickness	+2/-2 mm	Product	MARMITE	Material	Material (weight/m ²)	2065227	Material (weight/m ²)	2065227	Material (LxVxH/mm)	1395 x 695 / 37
Tolerance grinding	+2/0 mm	Product	MARMITE	Material	Material (weight/m ²)	2065227	Material (weight/m ²)	2065227	Material (LxVxH/mm)	1395 x 695 / 37
Tolerance feet location	+7/-7 mm	Product	MARMITE	Material	Material (weight/m ²)	2065227	Material (weight/m ²)	2065227	Material (LxVxH/mm)	1395 x 695 / 37
Tolerance holes location	+2/-2 mm	Product	MARMITE	Material	Material (weight/m ²)	2065227	Material (weight/m ²)	2065227	Material (LxVxH/mm)	1395 x 695 / 37
Tolerance holes diameter	+1/-1 mm	Product	MARMITE	Material	Material (weight/m ²)	2065227	Material (weight/m ²)	2065227	Material (LxVxH/mm)	1395 x 695 / 37

Rev	Design Change Note	Author	Date
A	Internal validation	ZP	2018-05-24
001	Approved by the client	ZP	2018-06-13

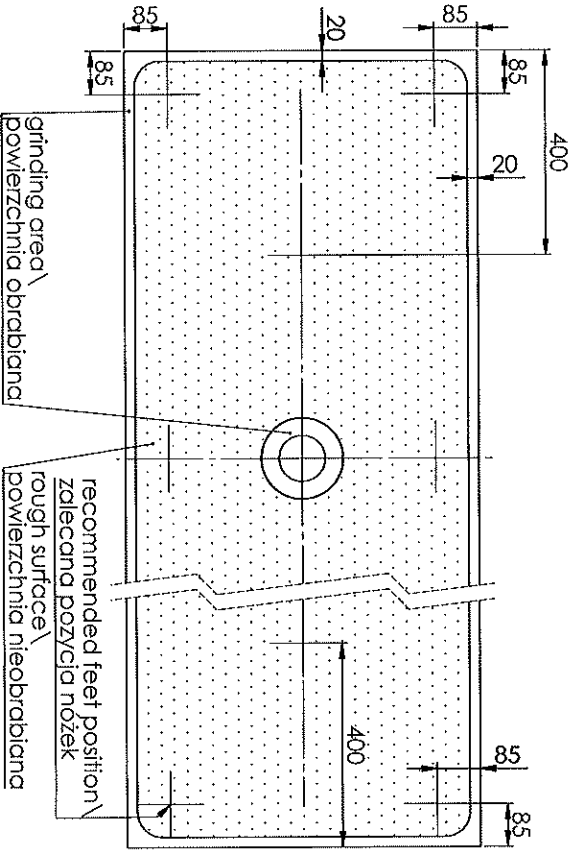
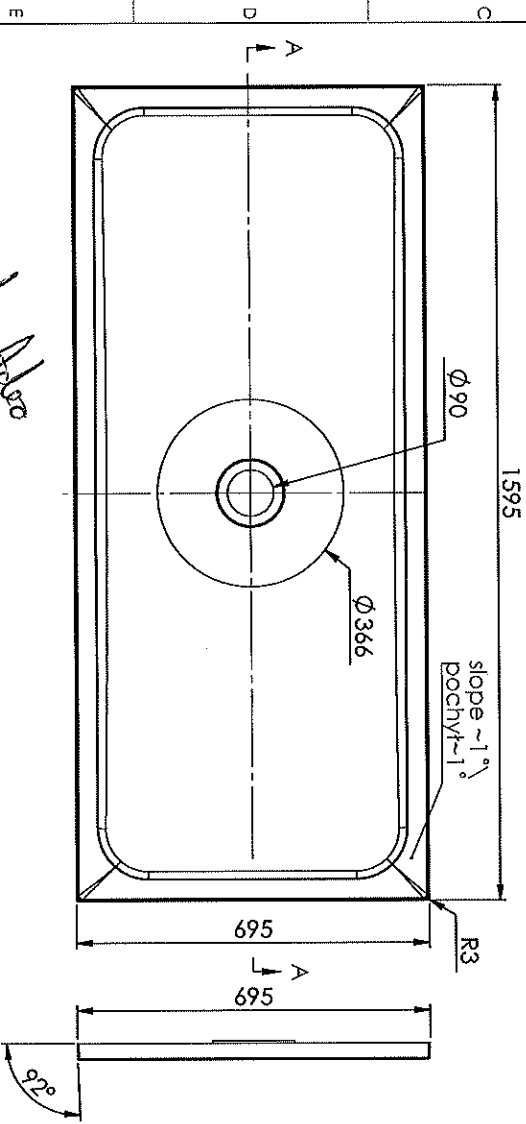


A-A (1 : 5)



Antyślip "MS053" in whole surface of slope/
Antyślip "MS053" w całej powierzchni sprężyny

Bottom view - feet position/
Widok z dołu - rozstaw stópek



grinding area
powierzchnia obrabiana

recommended feet position
zalecana pozycja nóżek
powierzchnia nieobrabiana

Approved
16.06/2018

Tolerance length/width	+5/0 mm	Drawn by	2018-05-24	Checked by	Retal B	Art. Name:	ST EASY 1600X700 RECT	Model No:	F73371.63
Tolerance height	+2/-2 mm	Project name	Approved	Client	LEROY MERLIN	Art. No:	6073371.6300x	Scale	1:1.0
Tolerance plane bending	±1200 mm +2/-2 mm					Customer ID:	3127	Current revision	001
Tolerance thickness	+2/-2 mm					Material (volume/length)	249.62581	Current revision	001
Tolerance grinding	+2/0 mm					Surface description	A3	Scale	1:1.0
Tolerance feet location	+2/-2 mm					Material (volume/length)	2355054	Current revision	001
Tolerance holes location	+2/-2 mm					Surface description	A3	Scale	1:1.0
Tolerance holes diameter	+1/-1 mm					Material (volume/length)	2355054	Current revision	001

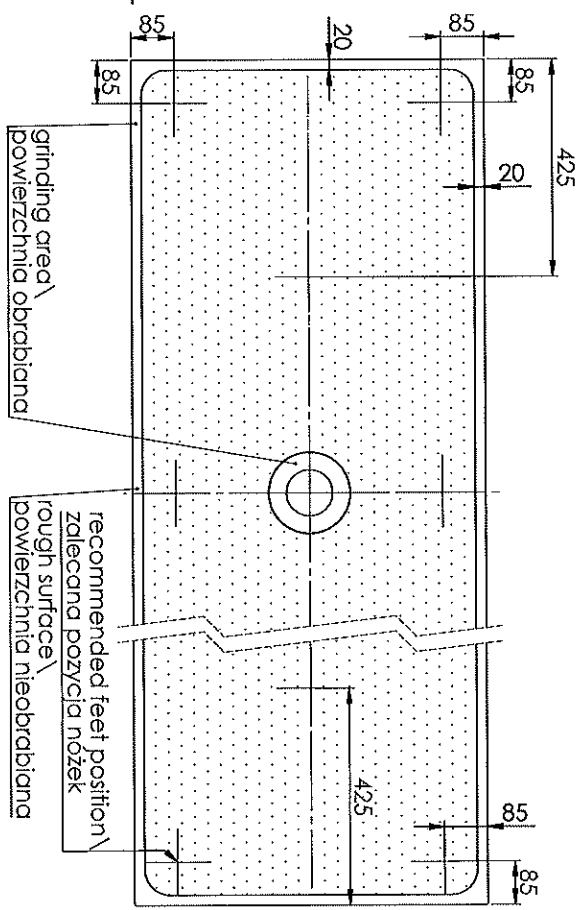
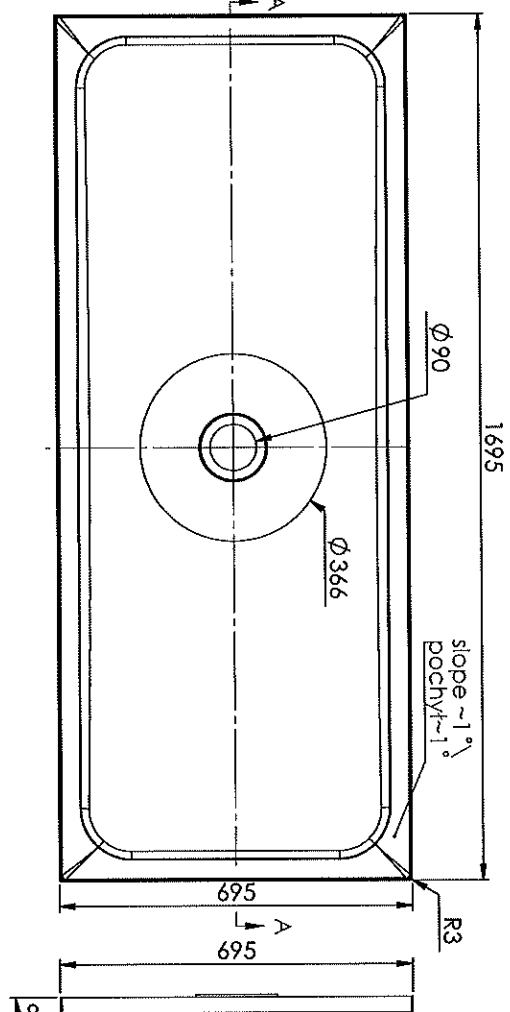
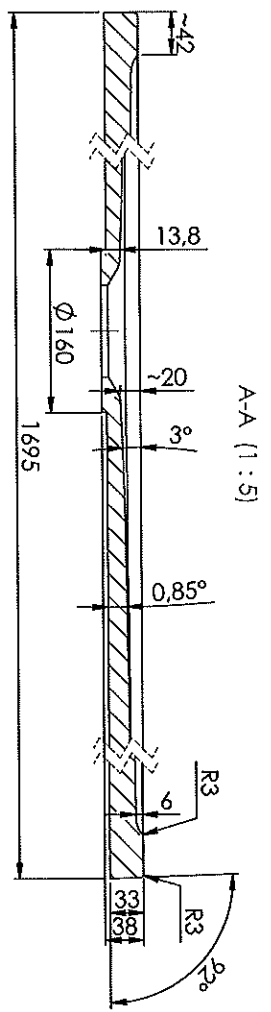


1 2 3 4 5 6 7 8

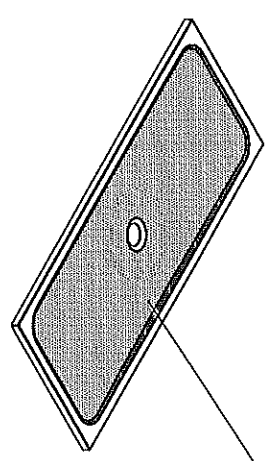
Rev	Design Change Note	Author	Date
A	Internal validation	ZP	2018-05-24
001	Approved by the client	ZP	2018-06-13

This document must not be copied without our written permission, and the contents thereof must not be imported to a third party nor be used for any unauthorized purpose. Contravention will be prosecuted.

Approved
14.08/2018
H. H.



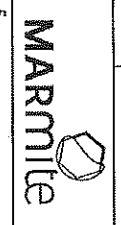
Bottom view - feet position /
Widok z dołu - rozstaw stópek



Antyślizp "MS053" in whole surface of slope /
Antyślizp "MS053" w całej powierzchni spływu

Rev	Design Change Note	Author	Date
A	Internal validation	ZP	2018-05-24
001	Approved by the client	ZP	2018-06-13

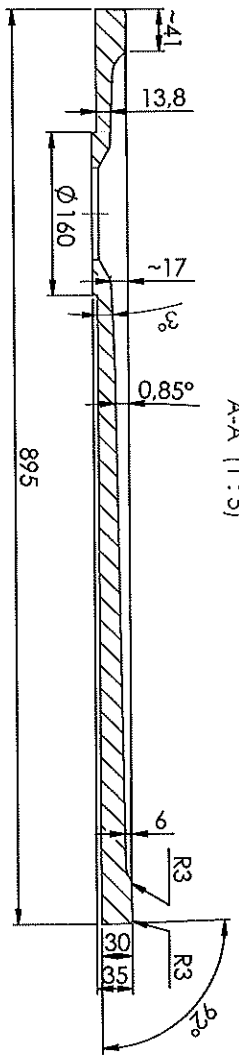
Tolerance length/width	+5/0 mm	Project for	Created by	Art. Name:	SI EASY 1700X700 RECT	Module No:	F7337173
Tolerance height	+2/-2 mm	Zbigniew P	Rafał B	Art. No.:	6073371730XX		
Tolerance plane bending	≤1200 mm ±2/-2 mm	Approved	LEROY MERLIN	Customer ID:	3127		
Tolerance thickness	+2/-2 mm			Model (code/price)	Overflow		
Tolerance grinding	+2/0 mm			27046380	NO		
Tolerance feet location	+7/-7 mm			Standard designation	Other size		
Tolerance holes location	+2/-2 mm			2506358	A3		
Tolerance holes diameter	+1/-1 mm						



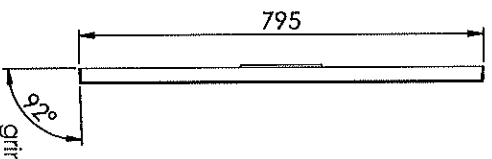
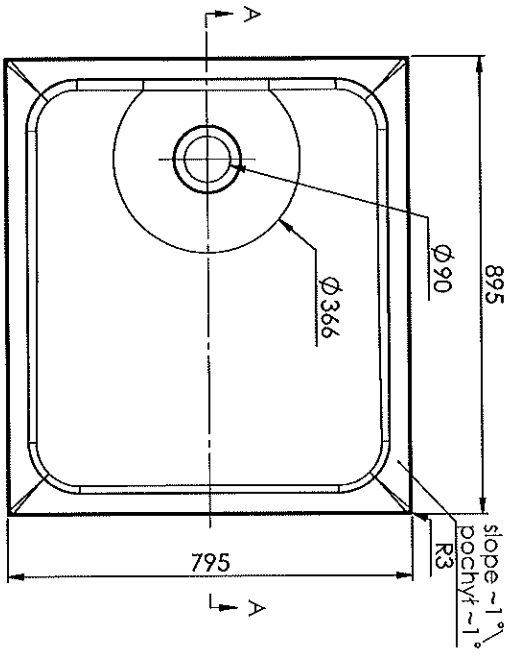
1 2 3 4 5 6 7 8

This document must not be copied without our written permission, and the contents thereof must not be imported to a third party nor be used for any unauthorized purpose. Contention will be prosecuted.

Approved
14.06.2018
[Signature]



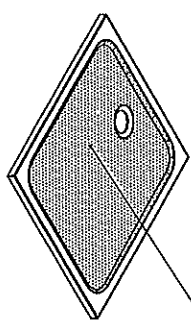
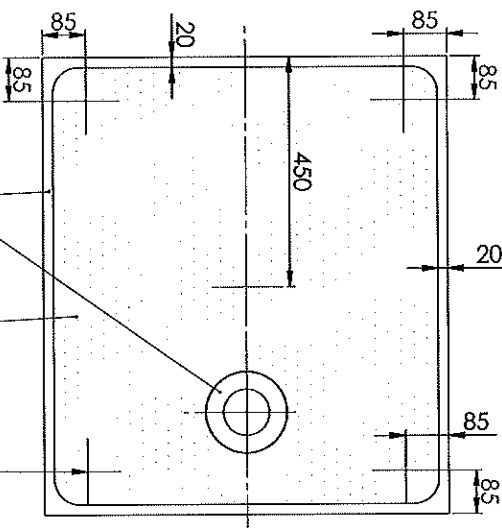
A-A (1 : 5)



grinding area
powierzchnia obrabiana
rough surface
powierzchnia nieobrabiana

recommended feet position
zalecana pozycja nożek

Bottom view - feet position/
Widok z dołu - rozstaw stópek



Antyślizp "MS053" in whole surface of slope/
Antyślizp "MS053" w całej powierzchni spływu

Rev	Design Change Note	Author	Date
A	Internal validation	ZP	2018-05-24
001	Approved by the client	ZP	2018-06-13

Tolerance length/width	+5/0 mm	From by	2108-05-24	Checked by	Rafal B	Art. Name:	ST EASY 900X800 RECT	Model No:	F7338093
Tolerance height	+2/-2 mm	Project size:	Approved	Client:	LEROY MERLIN	Art. No.:	60733809300x		
Tolerance plane bending	$\le 1200 \text{ mm}$ +2/-2 mm					Customer ID:	3127		
Tolerance thickness	+2/-2 mm					Customer ID:	3127		
Tolerance grinding	+2/0 mm					Customer ID:	3127		
Tolerance feet location	+7/-7 mm					Customer ID:	3127		
Tolerance holes location	+2/-2 mm					Customer ID:	3127		
Tolerance holes diameter	+1/-1 mm					Customer ID:	3127		



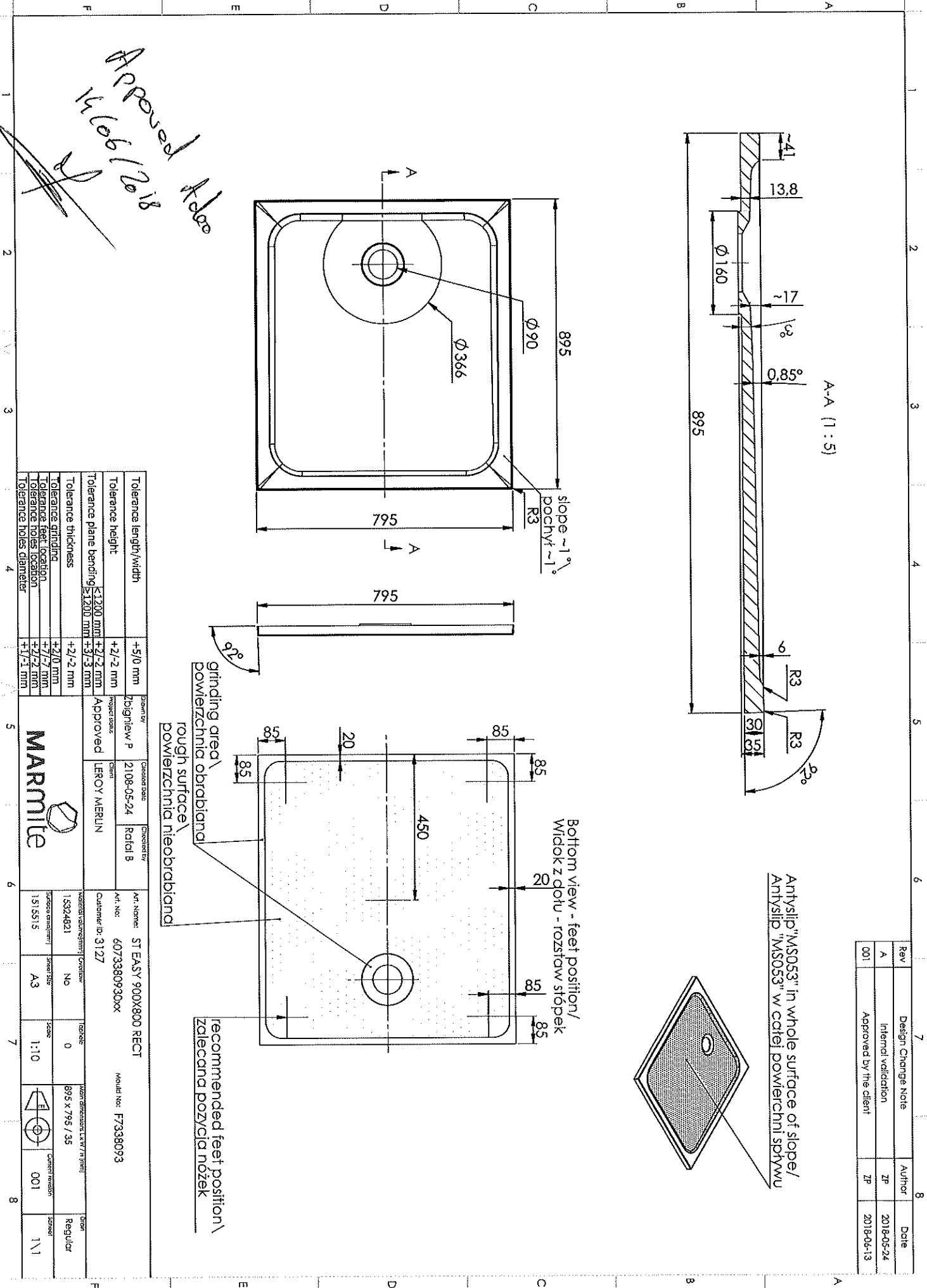
ST EASY 900X800 RECT

Customer ID: 3127

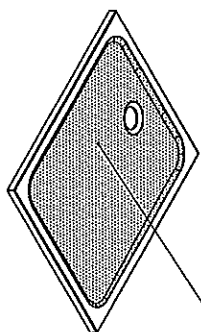
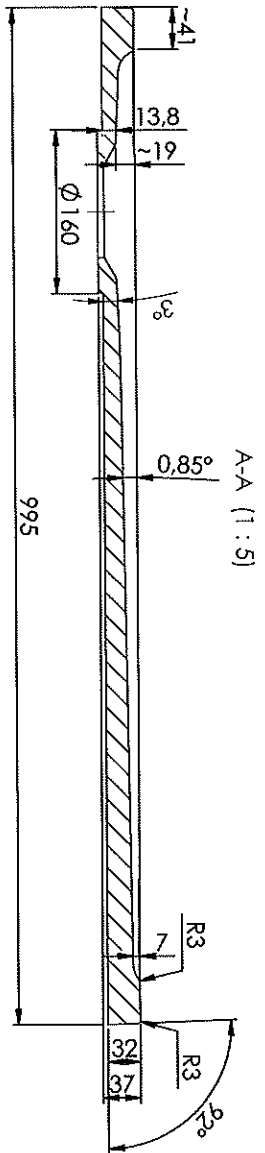
Model No: F7338093

Customer ID: 3127

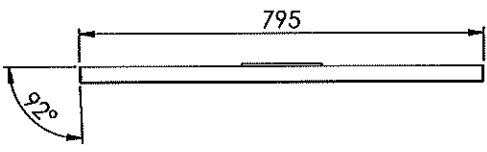
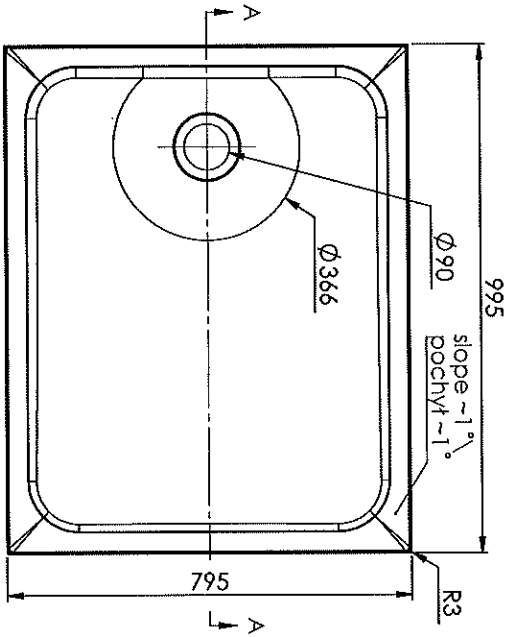
Customer ID: 3127



Rev	Design Change Note	Author	Date
A	Internal validation	ZP	2018-05-24
001	Approved by the client	ZP	2018-06-13

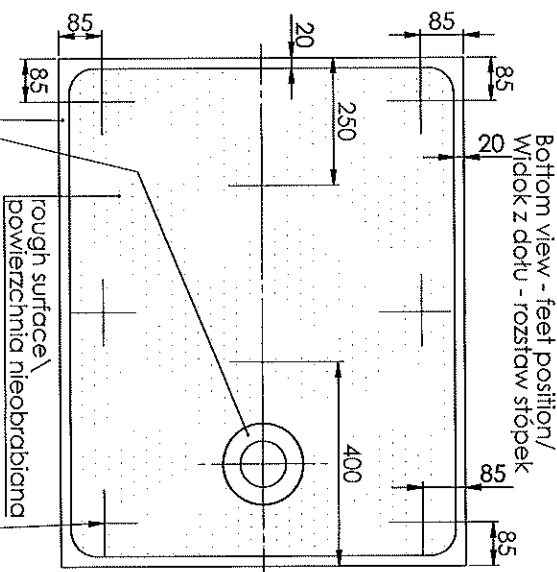


Antyślizp "MS053" in whole surface of slope/
Antyślizp "MS053" w całej powierzchni spływu



grinding area \
powierzchnia obrabiana

recommended feet position \
zalecana pozycja nóżek

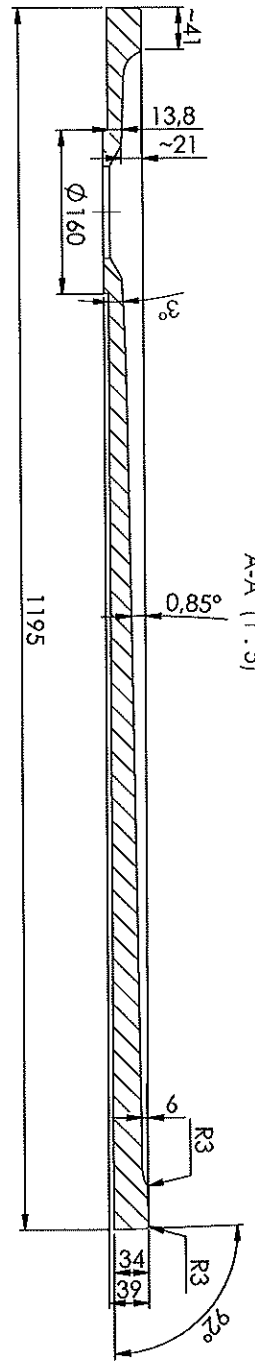


Approved Mereco
14/06/2018

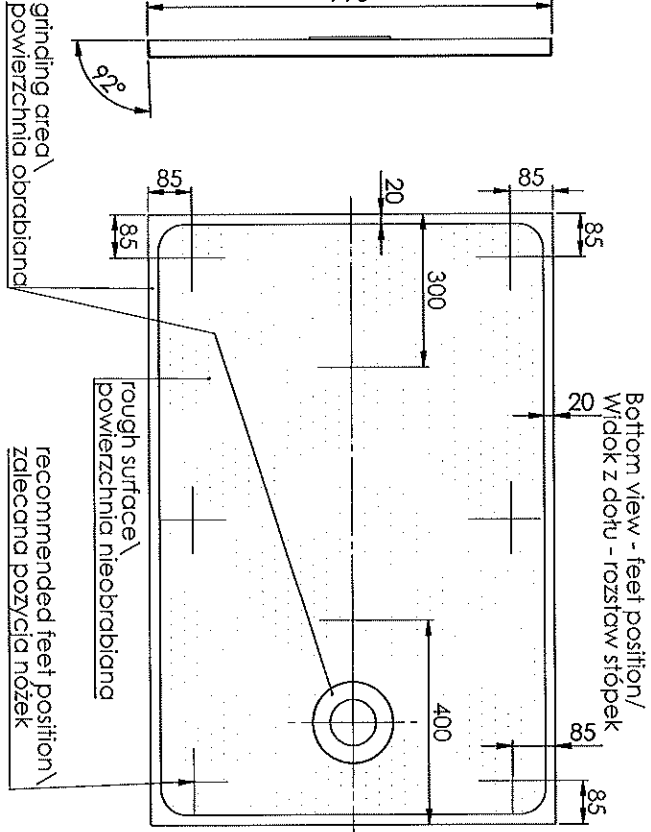
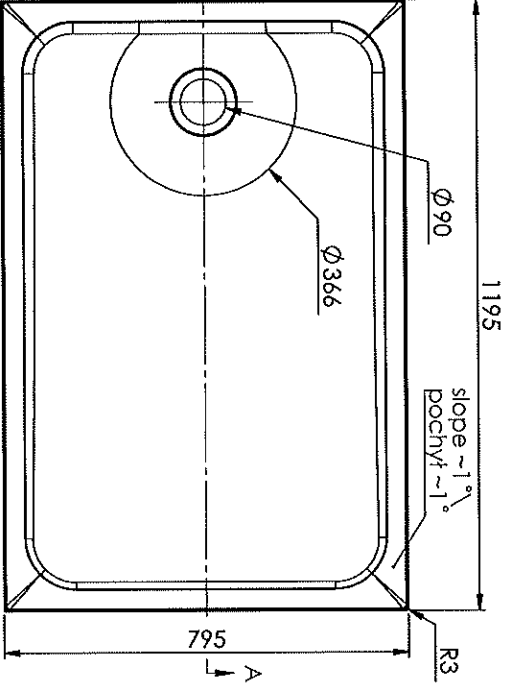
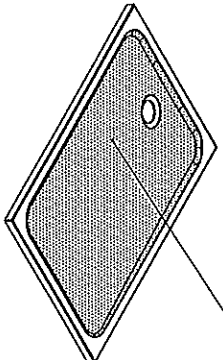
Tolerance length/width	+5/0 mm	Drawn by	Grading date	Checked by	Art. Name:	ST EASY 1000X800 RECT	Model No:	F7338103
Tolerance height	+2/-2 mm	Project name	2018-05-24	Rafal B	Art. No.:	ZP180524A10008xx		
Tolerance plane bending	≤1200 mm +2/-2 mm ≤1200 mm +3/-3 mm	Client	Approved	LERoy MERLIN	Customer Id:	3127		
Tolerance thickness	+2/-2 mm	Marmite logo		Material (material name) / Overlay	Shoes size	A3	Scale	1:10
Tolerance grinding	+2/0 mm			Surface treatment	1489288			
Tolerance feet location	+2/-2 mm							
Tolerance holes location	+2/-2 mm							
Tolerance holes diameter	+1/-1 mm							

1 2 3 4 5 6 7 8

Approved Albec
11/26/2018



Rev	Design Change Note	Author	Date
A	Internal validation	ZP	2018-05-24
001	Approved by the client	ZP	2018-04-13



Tolerance length/width	+5/0 mm	Drawn by	Zbigniew P	Issued date	2018-05-24	Checked by	Rafal B	Art. Name:	ST EASY 1200X800 RECT	Module No:	F7338123
Tolerance height	+2/-2 mm	Project name	Approved	Client	LEROY MERLIN	Customer ID:	3127	Art. No.:	6073381230XX	Year of release	1.1/1/1/1/1
Tolerance plane bending	$\leq 1200 \text{ mm}$ +2/-2 mm							Scale	1:10	Current revision	001
Tolerance thickness	+2/-2 mm							Scale	1:10	Current revision	001
Tolerance grinding	+2/0 mm							Scale	1:10	Current revision	001
Tolerance feet location	+7/-2 mm							Scale	1:10	Current revision	001
Tolerance holes location	+2/-2 mm							Scale	1:10	Current revision	001
Tolerance holes diameter	+1/-1 mm							Scale	1:10	Current revision	001



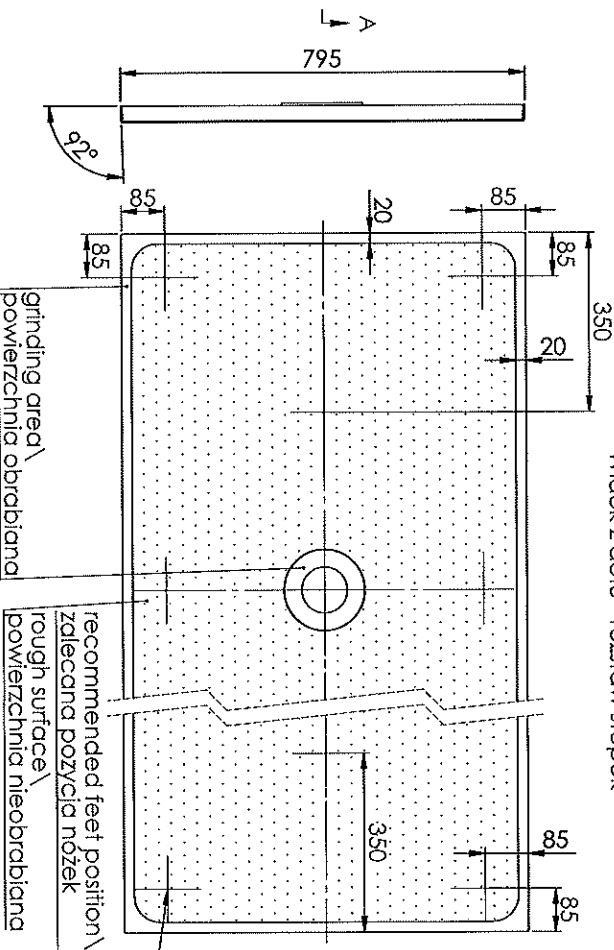
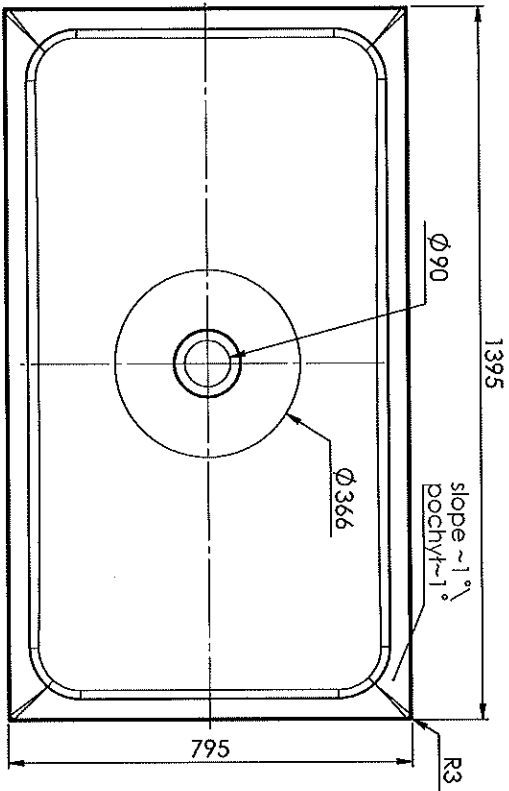
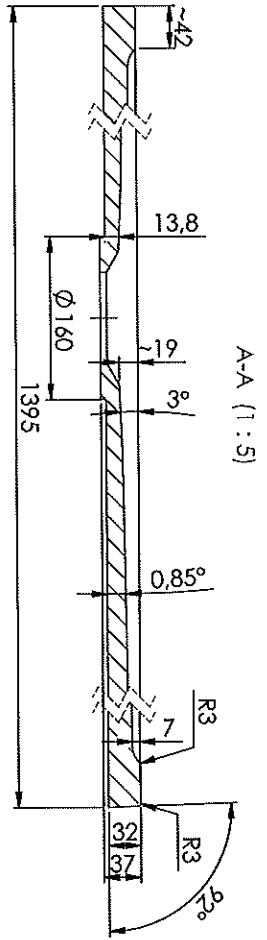
grinding area /
 powierzchnia obrabiana

rough surface /
 powierzchnia nieobrabiana

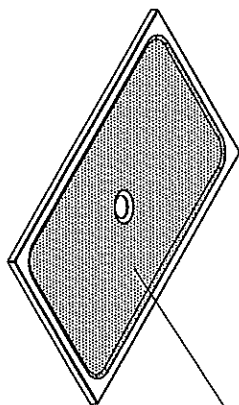
recommended feet position /
 zalecana pozycja nożek

Bottom view - feet position /
 Widok z dołu - rozstaw stópki

Antyslip "MS053" in whole surface of slope /
 Antyslip "MS053" w całej powierzchni spływu



Bottom view - feet position/
Widok z dołu - rozstaw stópek



Antyślip "MS053" in whole surface of slope/
Antyślip "MS053" w całej powierzchni spływu

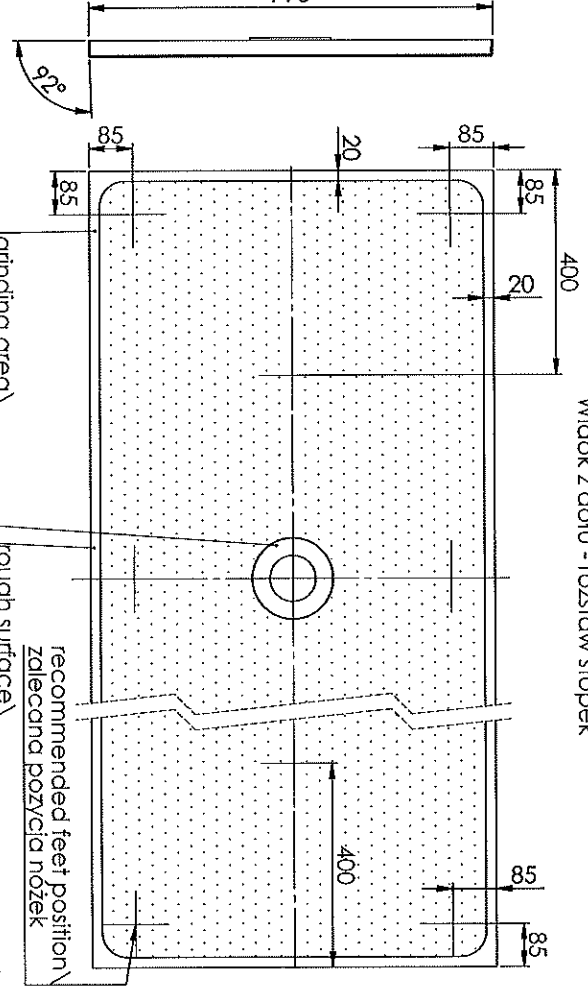
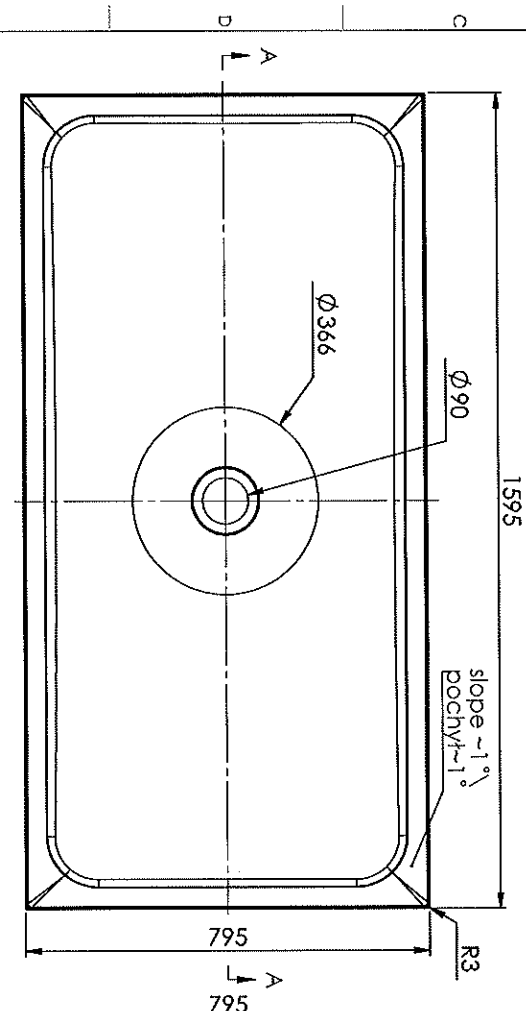
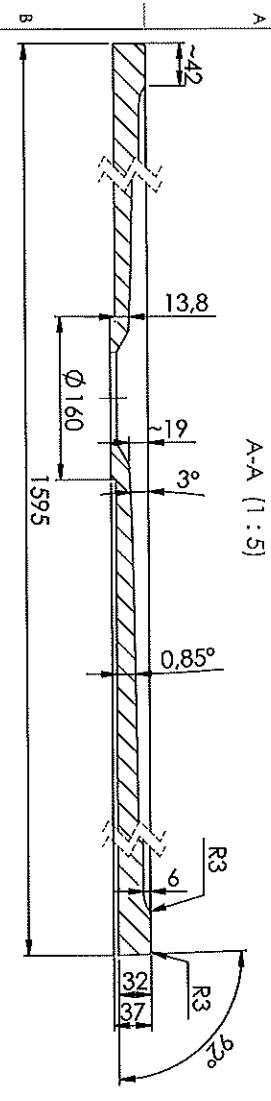
Approved Aldeo
14/06/2018

Rev	Design Change Note	Author	Date
A	Internal validation	ZP	2018-05-24
001	Approved by the client	ZP	2018-05-13

Tolerance length/width	+5/0 mm	Power by	Zbigniew P	Created Date	2018-05-24	Created by	Rafał B	Art. Name:	ST EASY 1400X800 RECT	Model No:	F7338143
Tolerance height	+2/-2 mm	Project name	Approved	Client	LEROY MERLIN	Art. No:	60733814300x	Art. No:	60733814300x	Customer ID:	3127
Tolerance plane bending	±1200 mm					Material reference (part)	0x0x0x	Surface grinding	24461267	Shank size	A3
Tolerance thickness	+2/-2 mm					Surface grinding	2349842	Scale	1:10	Current revision	001
Tolerance grinding	+2/0 mm										
Tolerance feet location	+7/-7 mm										
Tolerance holes location	+2/-2 mm										
Tolerance holes diameter	+1/-1 mm										




Approved
14.06.2018
Adas

Antyślizp "MS053" in whole surface of slope /
 Antyślizp "MS053" w całej powierzchni sprywu

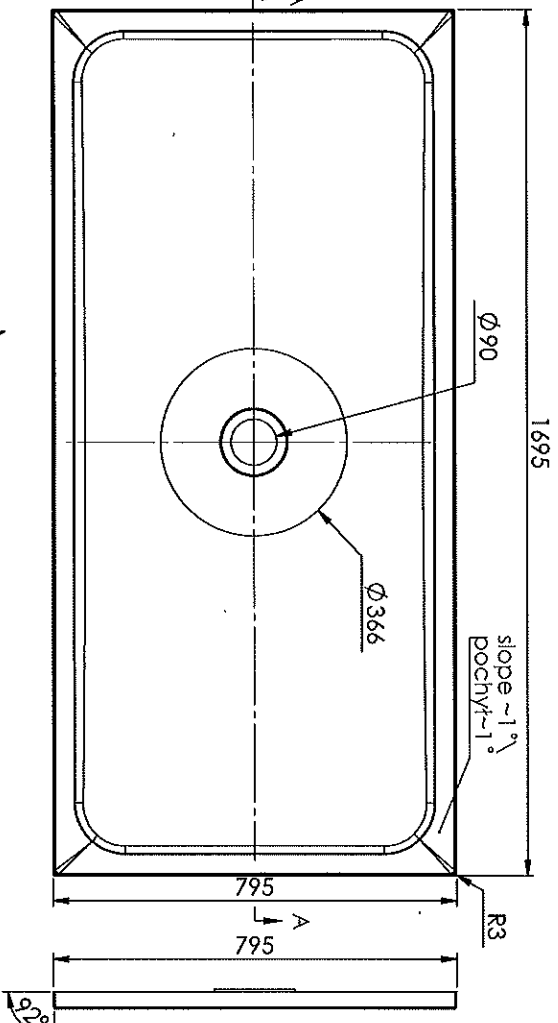
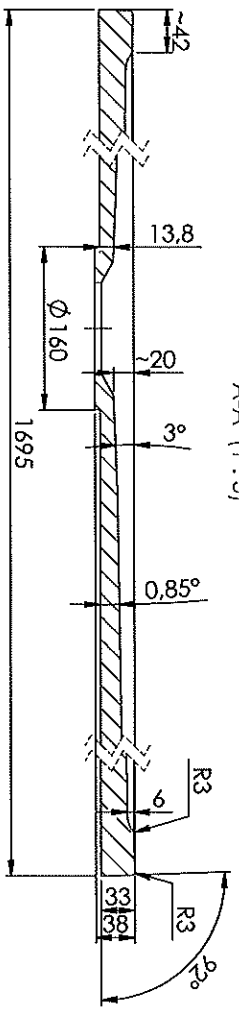
Bottom view - feet position /
 Widok z dołu - rozstaw stópkek

Rev	Design Change Note	Author	Date
A	Internal validation	ZP	2018-05-24
001	Approved by the client	ZP	2018-06-13

Tolerance length/width	+5/0 mm	Project by	Control date	Designed by	Art. Name:	Module No:
Tolerance height	+2/-2 mm	Zbigniew P	2018-05-24	Rafał B	ST EASY 1600X800 RECT	F7338163
Tolerance plane bending	±1200 mm ±2/-2 mm	Approved	Client	Client	Art. No:	
Tolerance thickness	+2/-2 mm		LEROY MARTIN		60733816300x	
Tolerance grinding	+2/0 mm				Customer Id:	3127
Tolerance feet location	+7/-2 mm					
Tolerance holes location	+2/-2 mm					
Tolerance holes diameter	+1/-1 mm					
						
					Material (code/finish)	Color
					28551840	No
					2679545	A3
					Scale	1:10
					Max. difference (X/Y/Z) (mm)	0
					Current revision	001
					Design	Regulac
					Scale	1:1

This document must not be copied without our written permission, and the contents hereof must not be imparted to a third party nor be used for any unauthorized purpose. Contravention will be prosecuted.

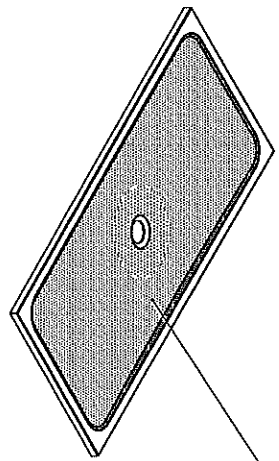
A-A (1:5)



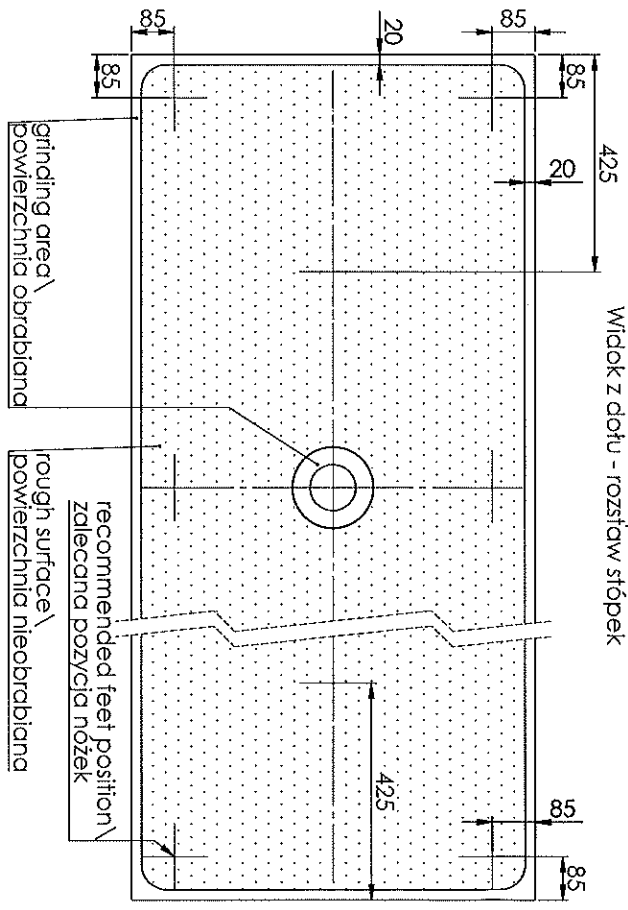
Approved Alex
14.06/2018

Rev	Design Change Note	Author	Date
A	Internal validation	ZP	2018-05-24
001	Approved by the client	ZP	2018-06-13

Anhysslip "MS053" in whole surface of slope/
Anhysslip "MS053" w całej powierzchni spływu

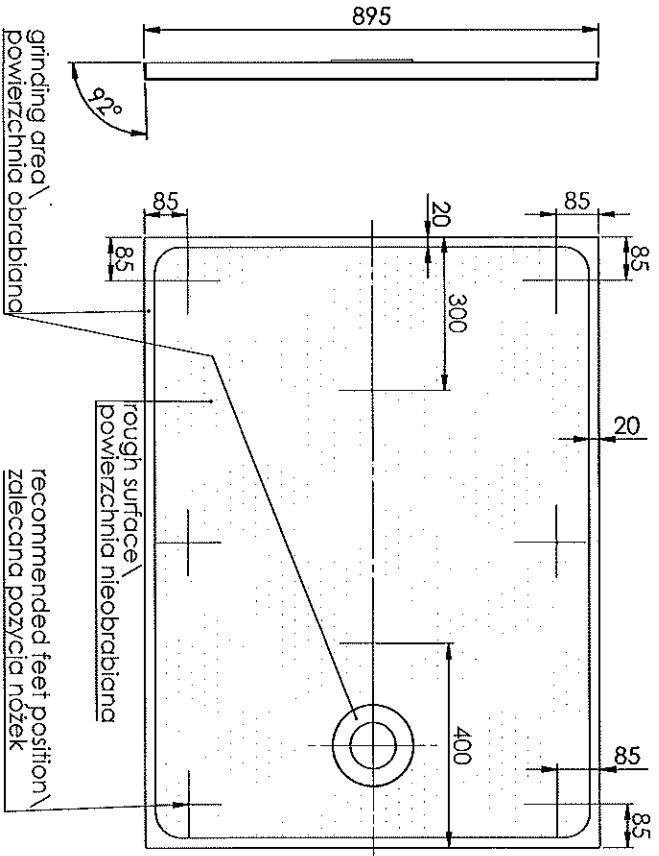
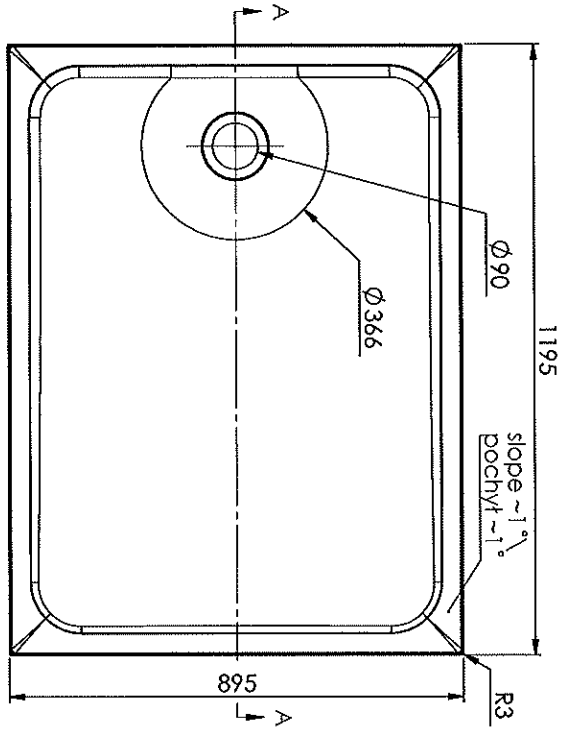
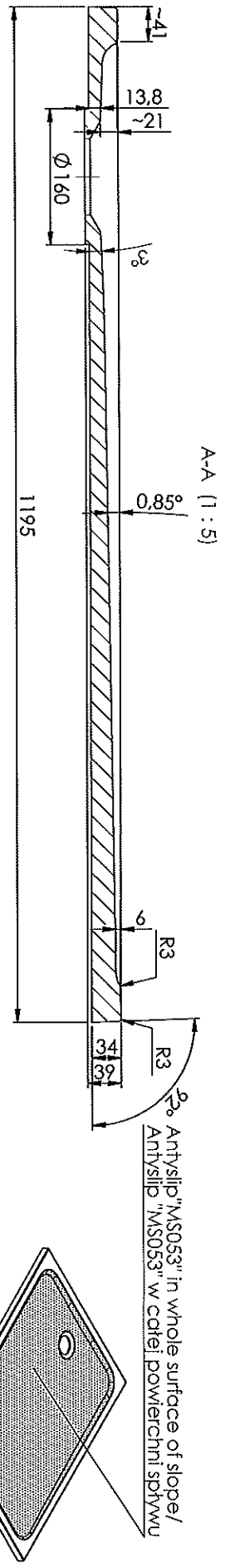


Bottom view - feet position/
Widok z dołu - rozstaw stopek



Tolerance length/width	+5/0 mm	Drawn by	Created date	Checked by
Tolerance height	+2/-2 mm	Zbigniew P	2018-05-24	Rafal B
Tolerance plane bending	±1200 mm / +2/-2 mm	Project name	Approved	Client
Tolerance thickness	+2/-2 mm			LEROY MERLIN
Tolerance grinding	+2/0 mm	Part Name	ST EASY 1700X800 RECT	Part No.
Tolerance feet location	+2/-2 mm			6073381730XX
Tolerance holes location	+2/-2 mm	Customer ID	3127	Model No.
Tolerance holes diameter	+1/-1 mm			F7338173
		Surface roughness	30912657	NO
		Scale	1:10	A3
		Customer revision	001	Revision
		Scale	1:1	Regular

Rev	Design Change Note	Author	Date
A	Internal validation	ZP	2018-05-24
001	Approved by the client	ZP	2018-06-13



Bottom view - feet position /
widok z dołu - rozstaw stoppek

*Approved by
14.06.18*

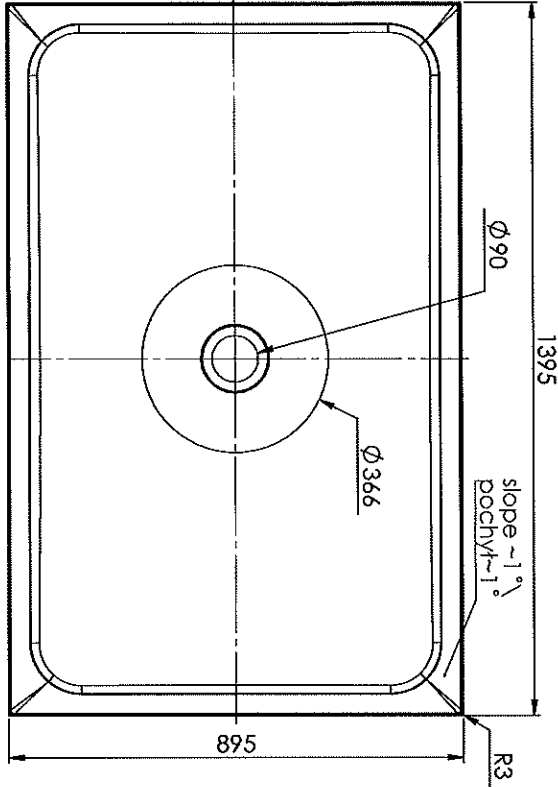
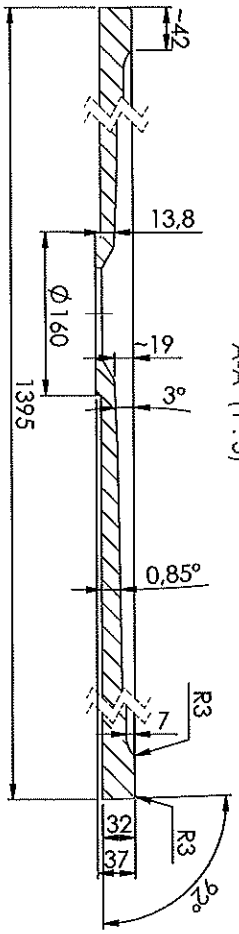
Tolerance length/width	+5/0 mm	Drawn by	Checked Date	Consent by	Art. Name:	Model No:
Tolerance height	+2/-2 mm	Tobigniew P	2018-05-24	Rafal B	ST EASY 1200X900 RECT	F7339123
Tolerance plane bending	$\leq 1200\text{ mm}$ +2/-2 mm	Project Status	Approved	Client	Art. No:	6073391230xx
Tolerance thickness	+2/-2 mm			LEROY MERLIN	Customer Id:	3127
Tolerance grinding	+2/0 mm				Model No:	1195 x 895 / 39
Tolerance feet location	+2/-2 mm				Scale	1:10
Tolerance holes location	+2/-2 mm				Sheet No:	A3
Tolerance holes diameter	+1/-1 mm				Scale	1:1



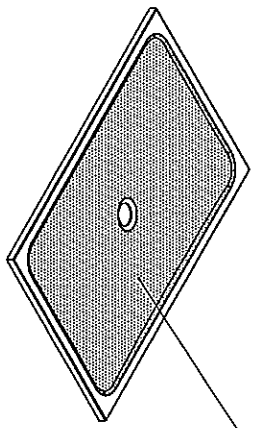
This document must not be copied without our written permission, and the contents thereof must not be imported to a third party nor be used for any unauthorized purpose. Conventions will be protected.

Rev	Design Change Note	Author	Date
A	Internal validation	ZP	2018-05-24
001	Approved by the client	ZP	2018-06-13

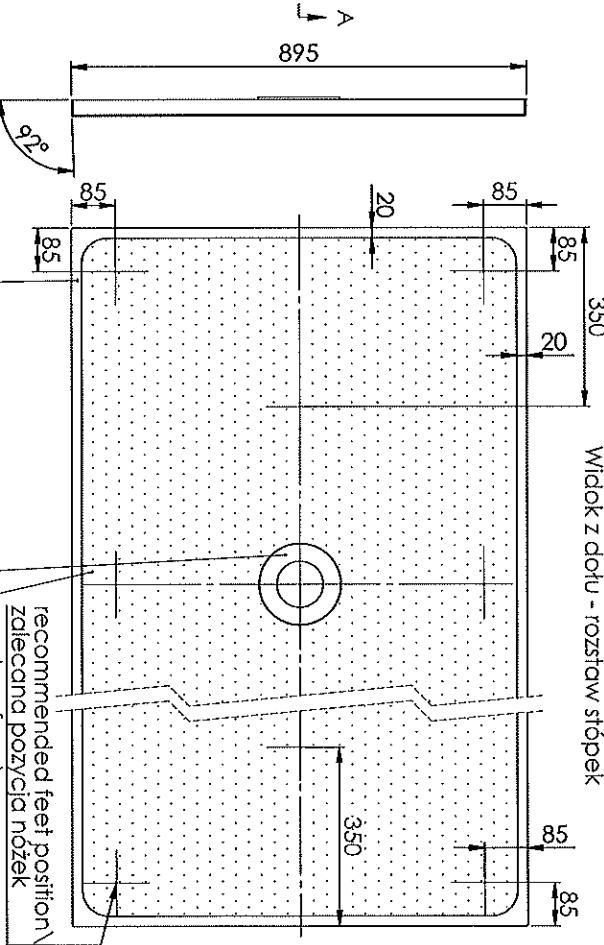
A-A (1 : 5)



Antyślip "MS053" in whole surface of slope/
Antyślip "MS053" w całej powierzchni spływu



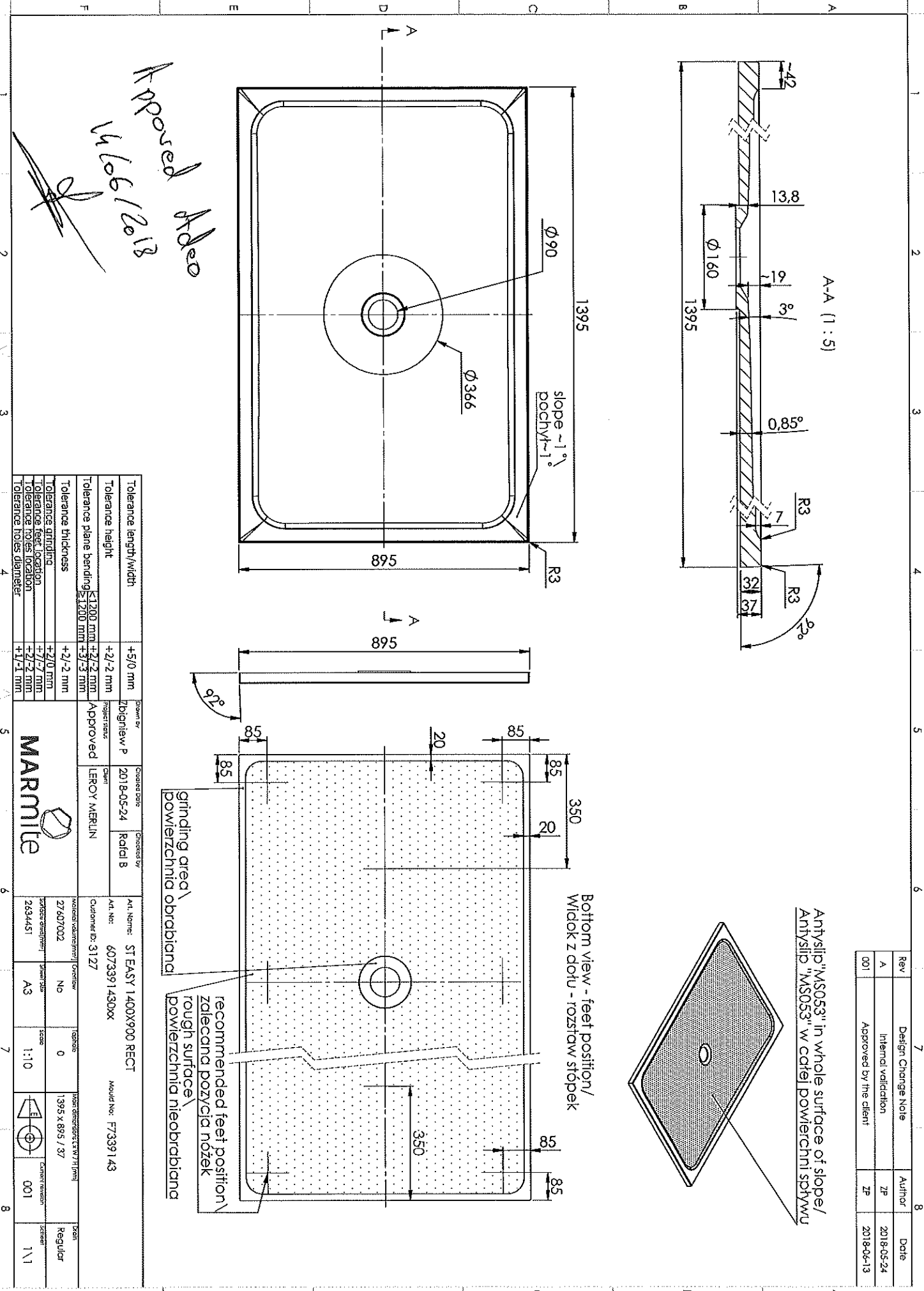
Bottom view - feet position/
Widok z dołu - rozstaw stópek

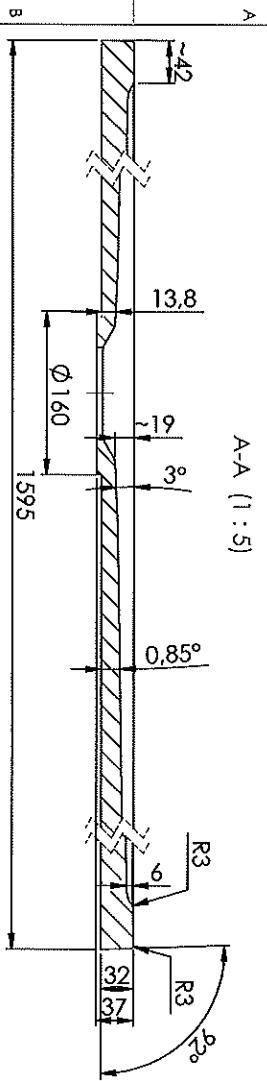


Approved
14.06/2018
Adeo

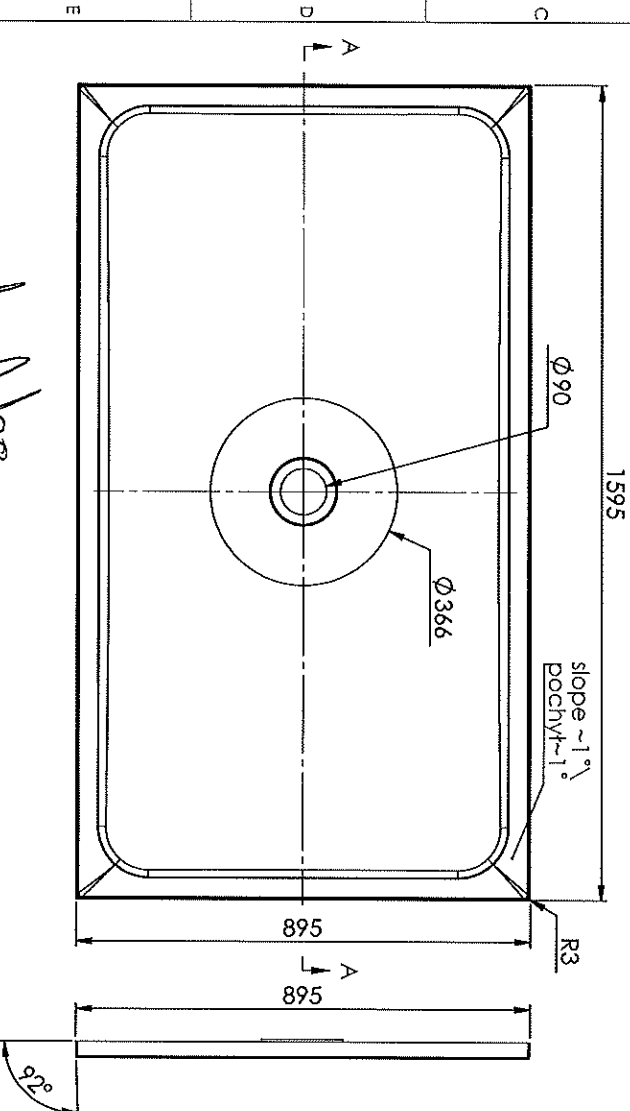
[Handwritten signature]

Tolerance length/width	+5/0 mm	Created by	Art. Name:	ST EASY 1400X900 RECT	Module No:	F7339143
Tolerance height	+2/-2 mm	Created date	Art. No.:	6073391430XX		
Tolerance plane bending	≤1200 mm +2/-2 mm ≤1200 mm +3/-3 mm	Project name	Customer ID:	3127		
Tolerance thickness	+2/-2 mm	Client	Material	27607002		
Tolerance grinding	+2/0 mm	Approved				
Tolerance feet location	+7/-7 mm					
Tolerance holes location	+2/-2 mm					
Tolerance holes diameter	+1/-1 mm					



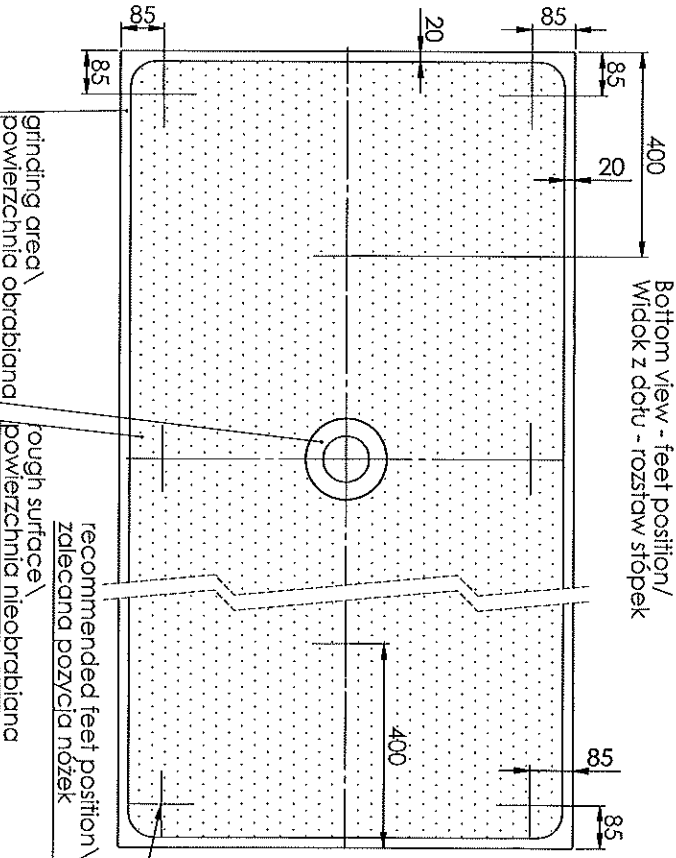


A-A (1:5)



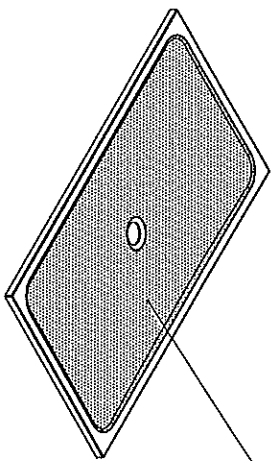
slope ~1°
pochyť ~1°

Bottom view - feet position/
Widok z dołu - rozstaw stópek



grinding area
powierzchnia obrabiana

rough surface
powierzchnia nieobrabiana
recommended feet position
zalecana pozycja nóżek



Antyślizp "MS053" in whole surface of slope/
Antyślizp "MS053" w całej powierzchni sphywu

Processed Adeo
14/06/2018
[Signature]

Tolerance length/width	+5/0 mm	Drawn by	2018-05-24	Checked by	Refcal B	Art. Name:	ST EASY 1600X900 RECT	Model No:	F73391 1.3
Tolerance height	+2/-2 mm	Design/rev	P	Client	LEROY MERLIN	Art. No:	6073391 630xx		
Tolerance plane bending	≤1200 mm ±2/2 mm ≤1200 mm ±3/3 mm	Project status	Approved			Customer ID:	3127		
Tolerance thickness	+2/-2 mm					Material (drawing/mm)	Condition	Region	Max. dimension ±0.1/0.15 mm
Tolerance grinding	+2/0 mm					3221 8646	NO	0	1595 x 895 / 37
Tolerance feet location	+7/-7 mm					Sheet size		Scale	1:10
Tolerance holes location	+2/-2 mm					3004017	A3		
Tolerance holes diameter	+1/-1 mm								



Rev	Design Change Note	Author	Date
A	Internal validation	ZP	2018-05-24
001	Approved by the client	ZP	2018-06-13