

BOM List for Products

ADEO Ref

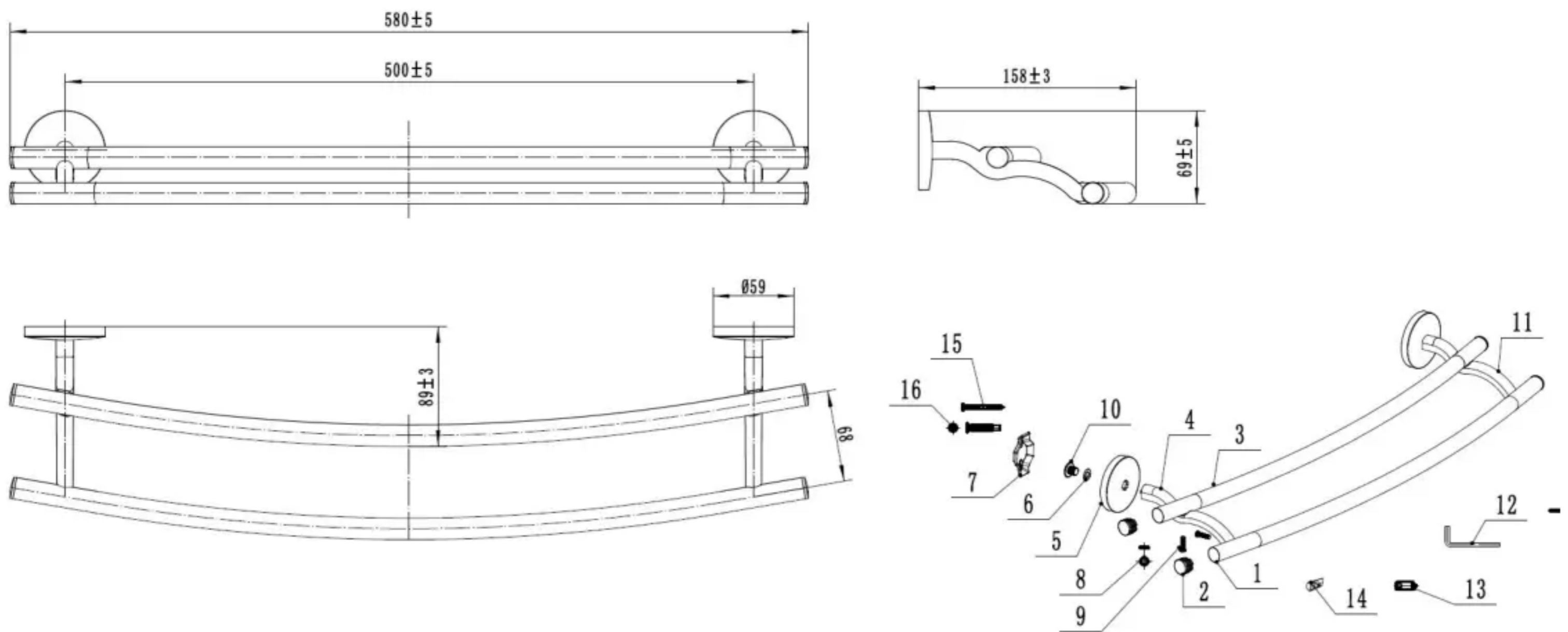
845116

EAN Code

3276000546924

Explosion Drawing

单位: mm



Parts No.	Quantity	Spec	Material & Surface process
1	1	φ15*0.3	SS201+Chrome
2	4	/	ABS
3	1	φ15.5*0.3	SS201+Chrome
4	1	/	zinc alloy+Chrome
5	2	/	zinc alloy+Chrome
6	2	φ11.5*φ6.5*0.5	Steel with zinc
7	2	/	Steel with zinc
8	4	/	Steel with zinc
9	4	M4*12	Steel with zinc
10	2	M6*10	Steel with zinc
11	1	/	zinc alloy+Chrome
12	1	/	Steel with nickel
13	2	M5*12	SS201
14	4	/	zinc alloy+natural
15	4	4.0*50	SS
16	4	φ6.0*40	PP