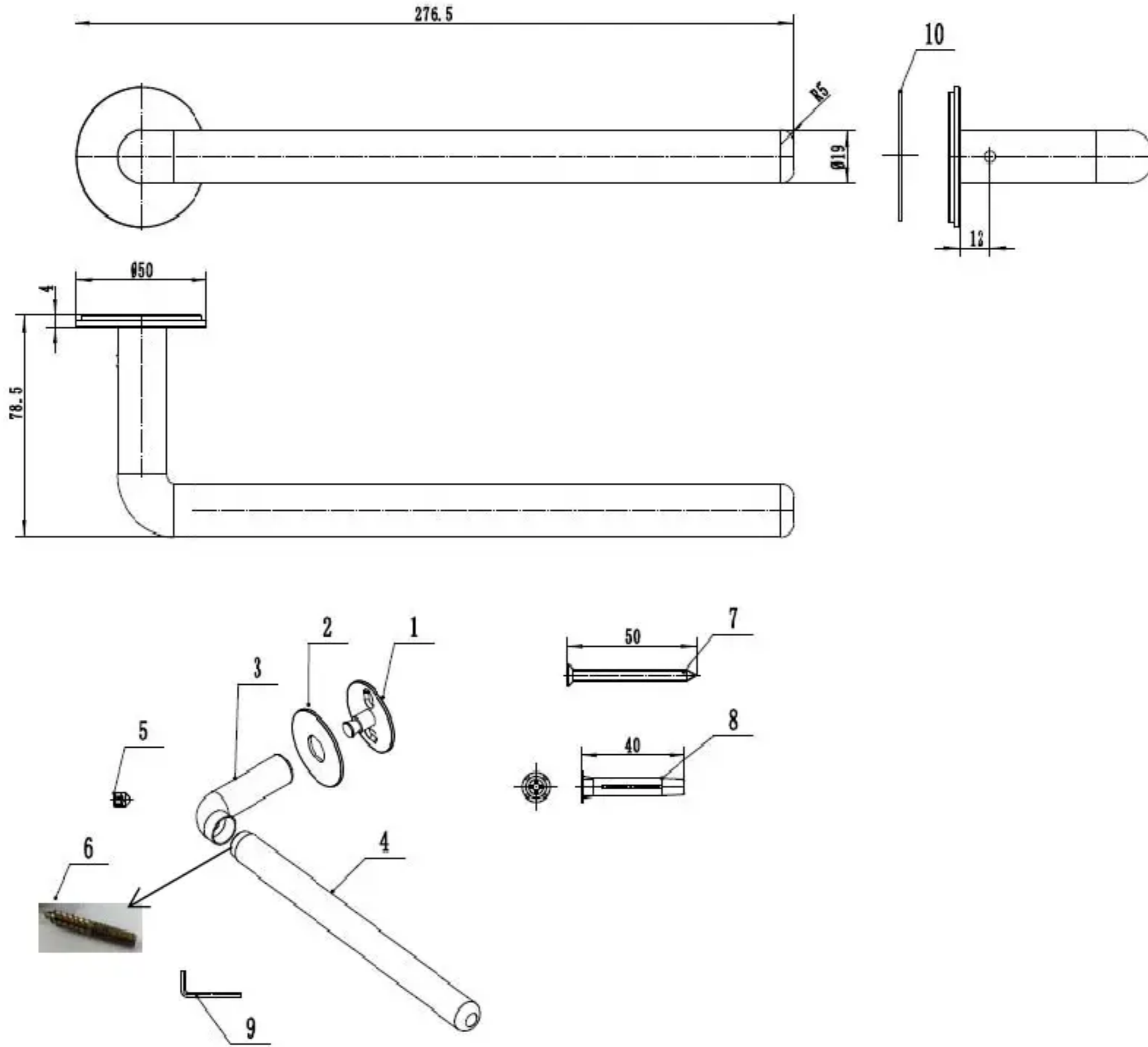


BOM List for Products

ADEO Ref	845082
EAN Code	3276000547235

Explosion Drawing

unit: mm



Parts No.	Quantity	Spec	Material & Surface process
1	1		Aluminum alloy with white powder coating
2	1	T=2.0	Steel with white powder coating
3	1		Aluminum alloy with white powder coating
4	1		Birch Wood
5	1	M5*6	SS201
6	1	M6*30	steel with zinc plating
7	2	4.0*50	SS201
8	2	Φ6*40	plastic
9	1	2.5#	steel with nickel plating
10	1		3M sticker