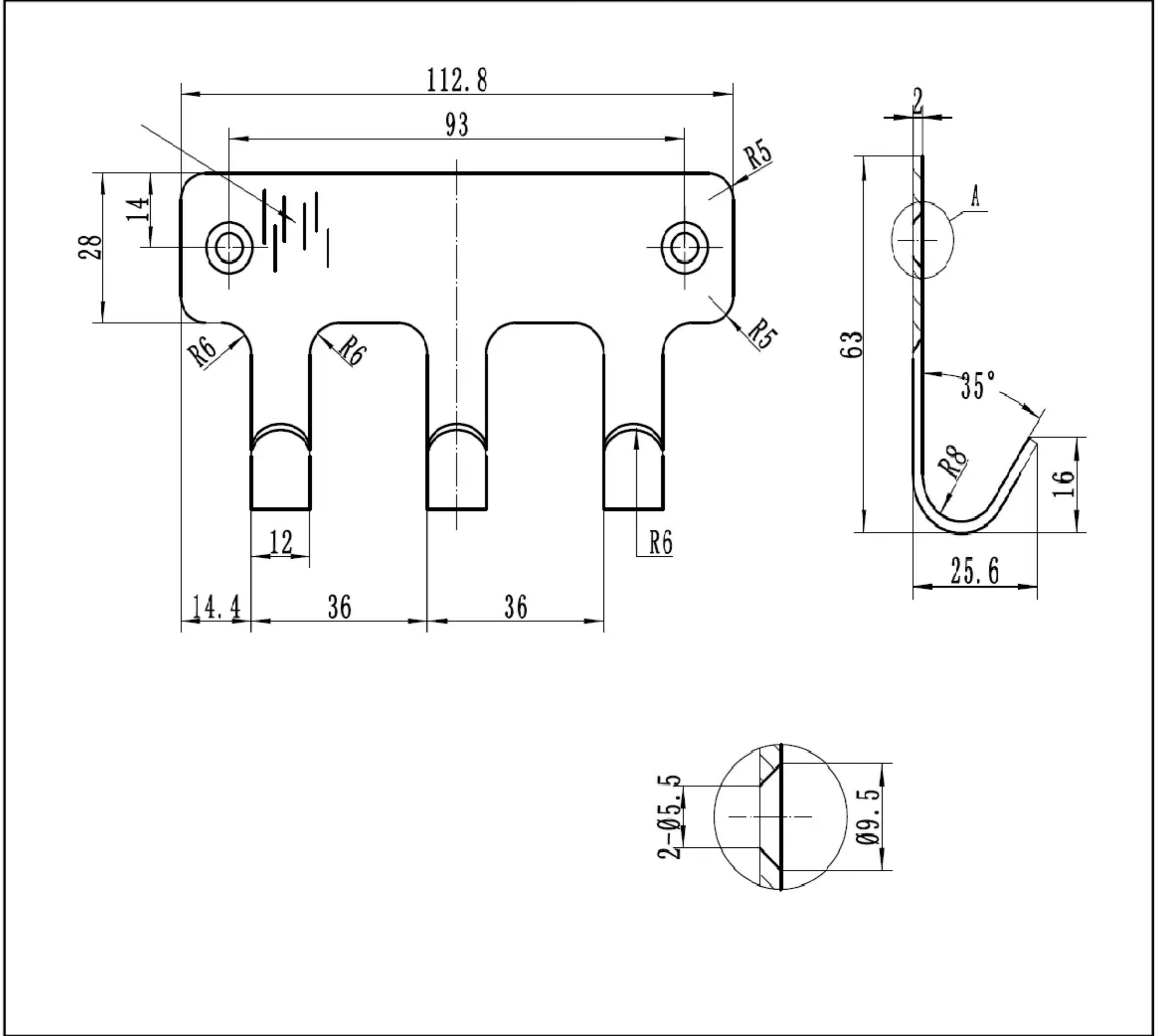


BOM List for Products

ADEO Ref	845070
EAN Code	3276000547396

Explosion Drawing



Parts No.	Quantity	Spec	Material & Surface process
1	1	/	SS brushed