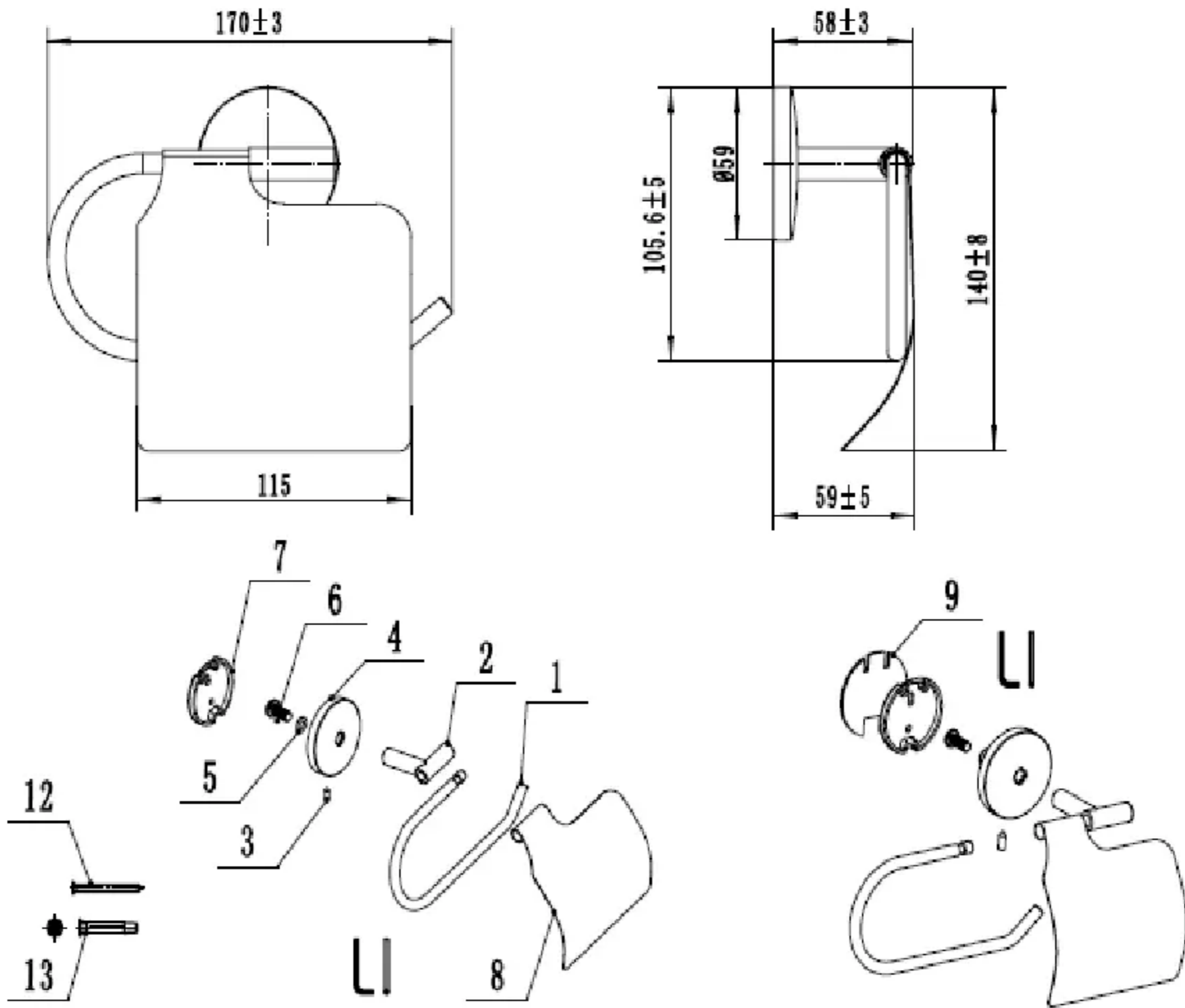


BOM List for Products

ADEO Ref	845054
EAN Code	3276000547549

Explosion Drawing

单位: mm



Parts No.	Quantity	Spec	Material & Surface process
1	1	/	Steel
2	1	/	zinc alloy
3	1	M5*12	SS201
4	1	/	zinc alloy
5	1	11.5*6.5*0.5	Steel with zinc
6	1	/	Steel with zinc
7	1	/	zinc alloy
8	1	/	SS
9	1	/	3M Stick
10	1	/	Steel with zinc
11	1	/	Steel
12	2	/	SS
13	2	$\phi 6 \times 40$	plastic