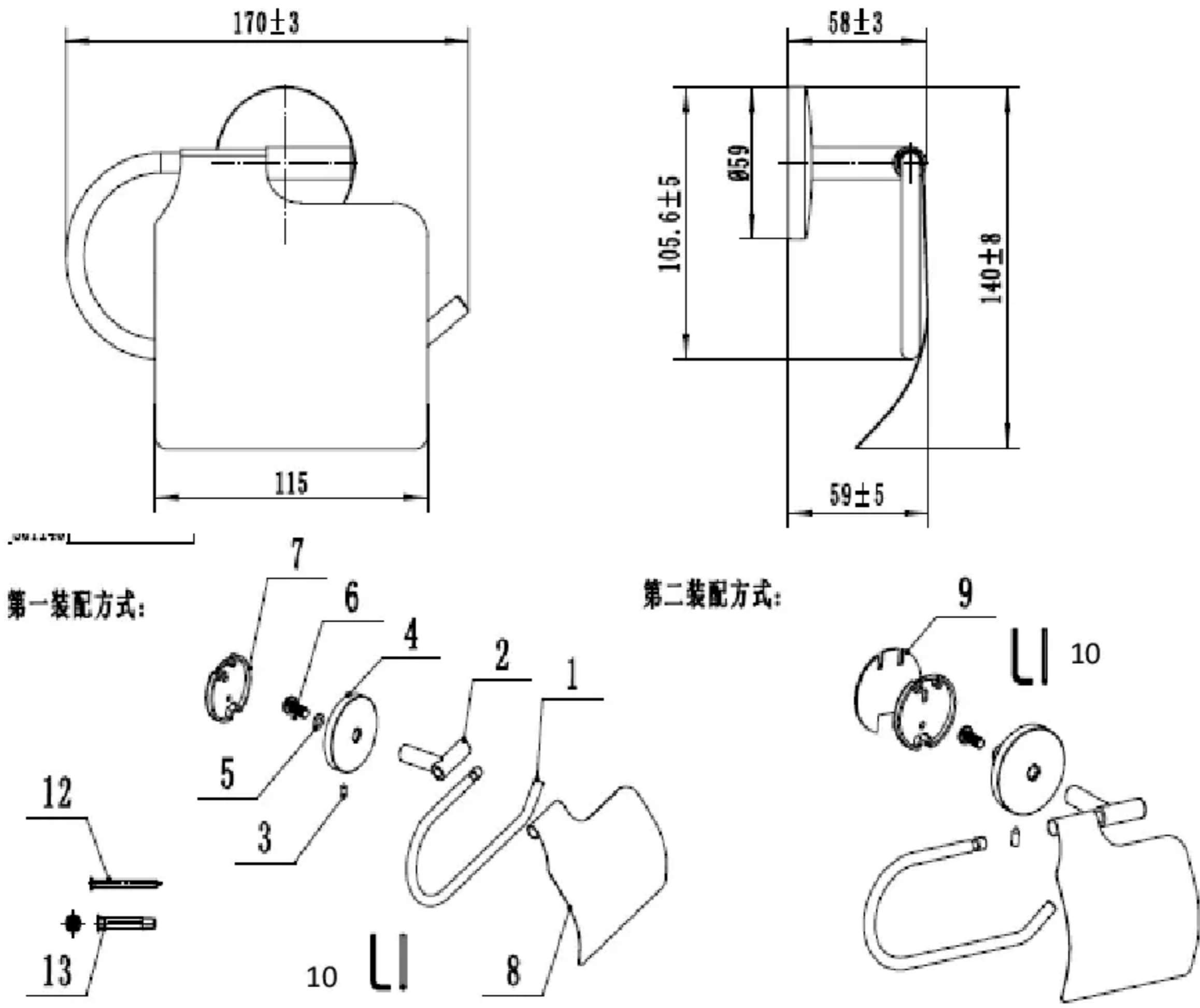


BOM List for Products

| | |
|-----------------|---------------|
| ADEO Ref | 845054 |
| EAN Code | 3276000547549 |

Explosion Drawing

单位: mm



| Parts No. | Quantity | Spec | Material & Surface process |
|-----------|----------|-----------------------|----------------------------|
| 1 | 1 | / | Steel |
| 2 | 1 | / | zinc alloy |
| 3 | 1 | M5*12 | SS201 |
| 4 | 1 | / | zinc alloy |
| 5 | 1 | ø11.5*ø6.5*0.5 | Steel with zinc |
| 6 | 1 | / | Steel with zinc |
| 7 | 1 | / | zinc alloy |
| 8 | 1 | / | SS |
| 9 | 1 | / | 3M Stick |
| 10 | 1 | / | Steel with nickel |
| 12 | 2 | / | SS |
| 13 | 2 | ø6X40 | plastic |