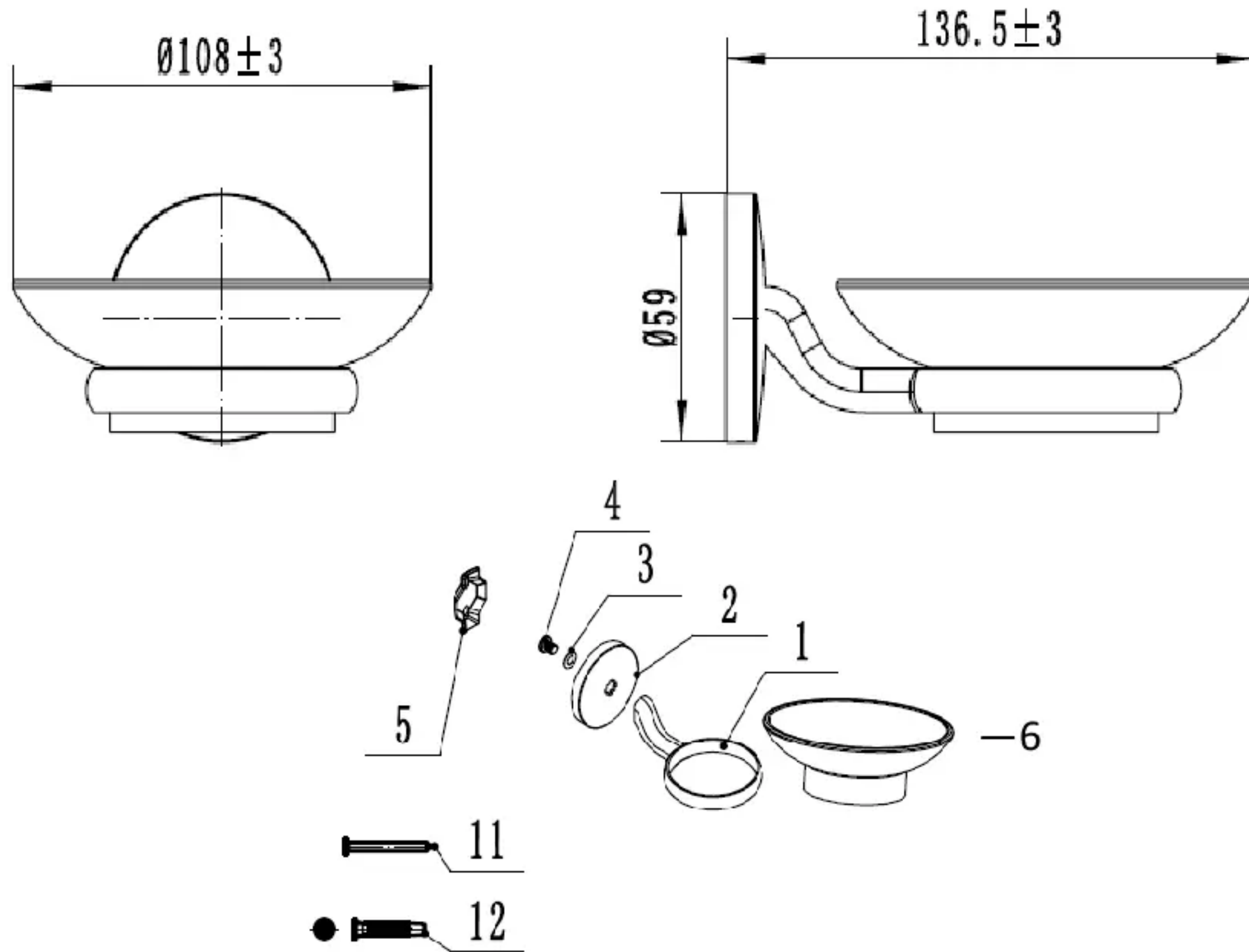


BOM List for Products

ADEO Ref	845039
EAN Code	3276000547693

Explosion Drawing

单位: mm



Parts No.	Quantity	Spec	Material & Surface process
1	1	/	zinc alloy
2	1	/	zinc alloy
3	1	11.5*6.5*0.5	steel
4	1	/	zinc alloy
5	1	/	Steel
6	1	/	glass
11	2	4.0*50	SS
12	2	/	/