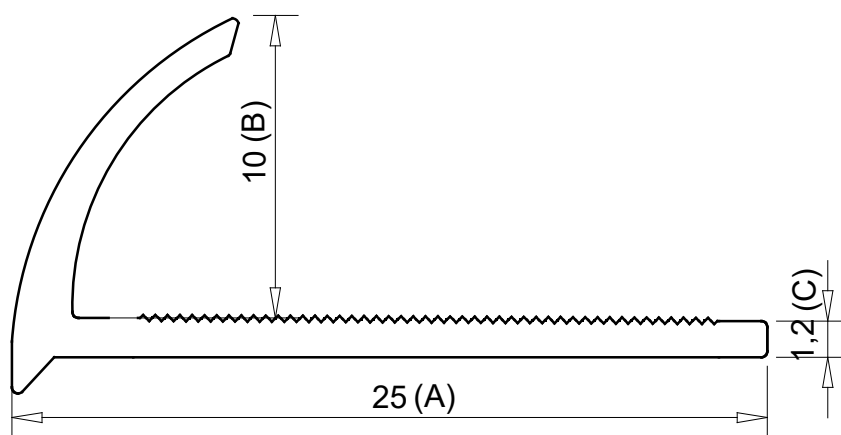


## NAME OF PRODUCT

## OUTER CORNER 1/4 PROFILE "Z10" TYPE



### TOLERANCE OF DIMENSION

A	+1,0 mm / -0,5 mm
B	+0,2 mm / -0,2 mm
C	+0,5 mm / -0,2 mm
Length 2500 mm	+5 mm / -5 mm

GTIN	NAME OF PRODUCT	TYPE OF MATERIAL	FINISHING - COLOR
3276000594567	Outer corner 1/4 profile „Z10” type	PCV	matt white
3276000594598	Outer corner 1/4 profile „Z10” type	PCV	matt ivory
3276000594628	Outer corner 1/4 profile „Z10” type	PCV	matt black
3276000594659	Outer corner 1/4 profile „Z10” type	PCV	matt light grey
3276000594680	Outer corner 1/4 profile „Z10” type	PCV	matt medium grey
3276000594710	Outer corner 1/4 profile „Z10” type	PCV	matt beige
3276000594338	Outer corner 1/4 profile „Z10” type	PCV	silver
3276000594376	Outer corner 1/4 profile „Z10” type	PCV	ivory marble
3276000594406	Outer corner 1/4 profile „Z10” type	PCV	brown marble
3276000594437	Outer corner 1/4 profile „Z10” type	PCV	oak wood
3276000594468	Outer corner 1/4 profile „Z10” type	PCV	walnut wood
3276000594925	Outer corner 1/4 profile „Z10” type	PCV	white marble