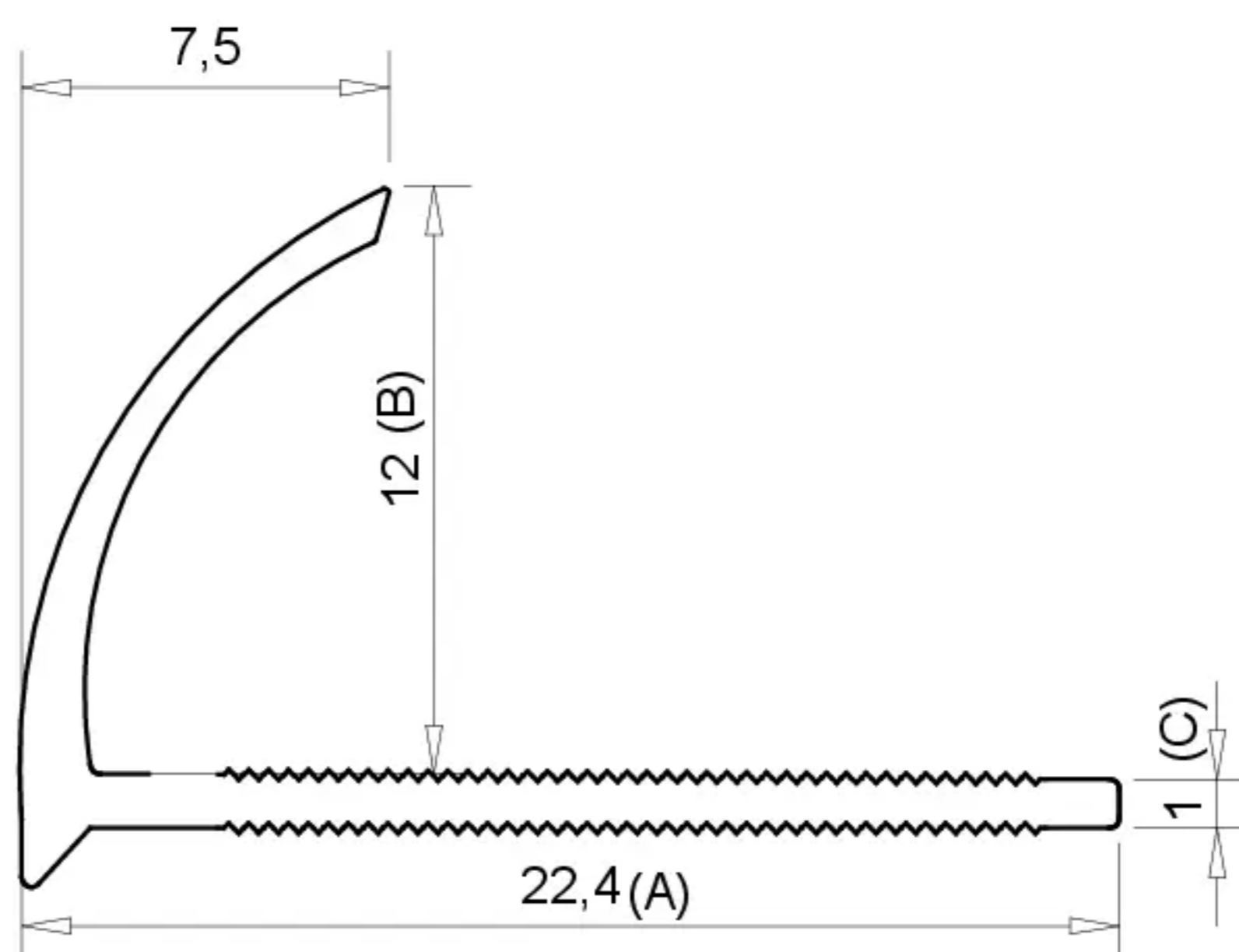


## NAME OF PRODUCT

## OUTER CORNER 1/4 PROFILE "O12" TYPE



### TOLERANCE OF DIMENTION

A	+0,5mm/-0,5mm
B	+0,2mm/-0,2mm
C	+0,0mm/-0,05mm
LENGTH [mm]	+ 5 mm / - 5 mm

GTIN	NAME OF PRODUCT	TYPE OF MATERIAL	FINISHING - COLOR
3276000594505	Outer corner ¼ profile „O12” type	Aluminium	shiny silver
3276000594536	Outer corner ¼ profile „O12” type	Aluminium	matt silver
3276000594161	Outer corner ¼ profile „O12” type	Aluminium	brushed silver
3276000594192	Outer corner ¼ profile „O12” type	Aluminium	matt black
3276000594222	Outer corner ¼ profile „O12” type	Aluminium	matt copper
3276000594253	Outer corner ¼ profile „O12” type	Aluminium	shiny white
3276000594284	Outer corner ¼ profile „O12” type	Aluminium	gold