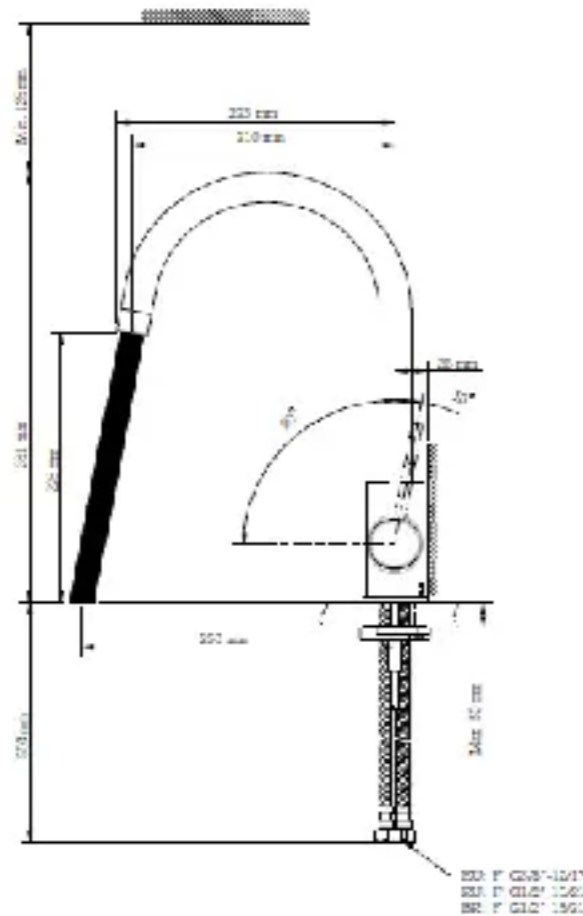


PRODUCT COMPOSITION DETAILS

Code	Type of elements	QTY	Material		Covering / veneer / finishing
			Type : for wooden parts don't forget to fill in the sheet 4	Characteristics / dimensions	
1	Handle	1	Zinc-Alloy		chrome
2	Beautifying cover	1	ABS		CP
3	Compressing nut	1	PPS		X
4	Cartridge	1	Plastic + ceramic		X
5	Body assembly	1	Zinc Alloy + plastic		CP
6	Spout	1	SUS304		CP
7	Seal	1	EPDM, rubber		black
8	Aerator	1	Plastic		X
9	Aerator housing	1	SUS304		CP
10	Inlet hose(C)	1	pex+ nylon		X
11	Inlet hose(H)	1	pex+ nylon		X
12	L-wrench	1	STEEL		black
13	O-ring	1	EPDM (rubber)		black
14	Plastic triangle	1	POM+NBR(rubber)		white (with black rubber)
15	Fixing kit	1	Iron+NBR(rubber)		silver + copper + black
16	Connectors	1	brass		copper

Dimension Drawing

Maxi loads on the Tops, shelves and extractables



Exploded view / Numbered view (or photo)

Maxi loads on the Tops, shelves and extractables

