

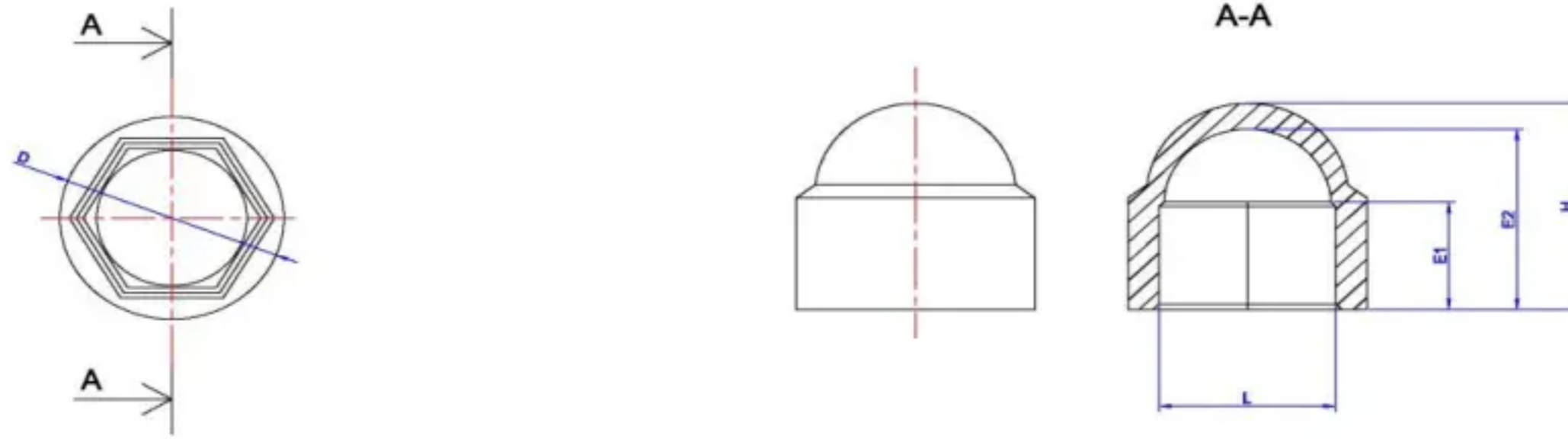


Technical data sheet

Date of creation	29/04/19
Revision index	4
Date of Validation	11/06/2019

Description: VD57 Cover for Hex Plastic

Standard references: none



Dimensional

All dimensions are in millimeters.

No eccentricity allowed (not visible at 50cm distance).

No chips and no sharp edges except on tip, thread and specific self-drilling or self-tapping functions.

No broken tip, no broken thread, no hollow teeth, no burnt teeth, no fall-off and no head splitting allowed.

The surface must be smooth and free of oil, foam, dust, rust, black spot or any other undesirable phenomenas.

	D ±0,2	L ±0,2	H ±0,2	E1 ±0,2	E2 ±0,2
M6	14	9,6-10,00	14	8,7	11,1
M8	17	12,8-12,9	15	8	12,5
M10	21	16,8-16,9	17	9,5	15,5

Mechanical properties

Material :	PP
Coating :	
Hardness :	