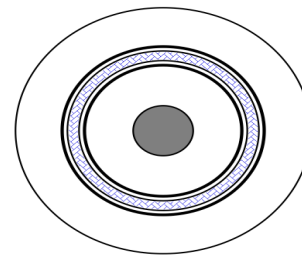




**2019-2020
CABLE MANUFACTURING
PROGRAM**



**TV COAXIAL CABLE 17PATC CABLE – Dca****CONSTRUCTION**

CONDUCTOR	Material	Copper Covering Steel
	Conductor O.D.(mm)	1.13+/-0.02
INSULATION	Material	FPE
	Core Color	WHITE
	Insulation O.D (mm)	4.85+/-0.15
SHIELD	SHIELD 1	AL
	SHIELD 2	AL
	BRAID	64/0.12mm ALM
	DRAIN	/
JACKET	Material :	LSZH - Dca
	Color	Black
	Nominal O.D. (mm)	6.8+/-0.2
Cable marking	D17PCCS3Z25	LEXMAN 17PATC Tri-shield TV Coaxial cable 75 Ohm LSZH Dca CE SXXXX 001m...025m
	D17PCCS3Z50	LEXMAN 17PATC Tri-shield TV Coaxial cable 75 Ohm LSZH Dca CE SXXXX 001m...050m
	D17PCCS3Z100	LEXMAN 17PATC Tri-shield TV Coaxial cable 75 Ohm LSZH Dca CE SXXXX 001m...100m

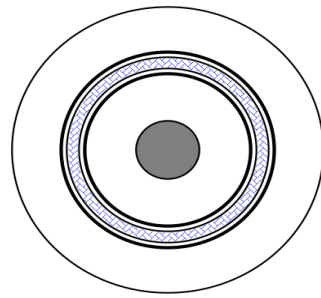
TECHNICAL PERFORMANCE network analyzer TEST

IMPEDANCE		75+/-3
Rated capacitance (pf/m)		52+/-2
Insertion Loss Margin (dB)		>=20
Insertion Loss Margin (dB)		NEXT (dB)
Attenuation	F(Mhz)	ATT (dB/100M)
	50	4.5
	100	6
	200	8.5
	400	12.5
	800	17
	950	18.7
	1000	20

Made by : Deric

Approved by : Jean

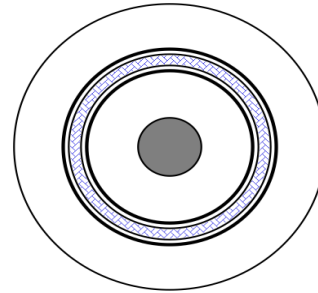
Date : 2020.06.01

**TV COAXIAL CABLE 17VATC CABLE – Dca****CONSTRUCTION**

CONDUCTOR	Material	Copper Covering Steel
	Conductor O.D.(mm)	1.13+/-0.02
INSULATION	Material	FPE
	Core Color	WHITE
	Insulation O.D (mm)	4.85+/-0.15
SHIELD	SHIELD 1	AL
	SHIELD 2	AL
	BRAID	64/0.12mm ALM
	DRAIN	/
JACKET	Material :	LSZH - Dca
	Color	White
	Nominal O.D. (mm)	6.8+/-0.2
CABLE MARKING	D17VCCS305	LEXMAN 17VATC Tri-shield TV Coaxial cable 75 Ohm LSZH Dca CE SXXXX 001m...005m
	D17VCCS310	LEXMAN 17VATC Tri-shield TV Coaxial cable 75 Ohm LSZH Dca CE SXXXX 001m...010m
	D17VCCS325	LEXMAN 17VATC Tri-shield TV Coaxial cable 75 Ohm LSZH Dca CE SXXXX 001m...025m
	D17VCCS350	LEXMAN 17VATC Tri-shield TV Coaxial cable 75 Ohm LSZH Dca CE SXXXX 001m...050m
	D17VCCS3100	LEXMAN 17VATC Tri-shield TV Coaxial cable 75 Ohm LSZH Dca CE SXXXX 001m...100m

TECHNICAL PERFORMANCE network analyzer TEST

IMPEDANCE		75+/-3
Rated capacitance (pf/m)		52+/-2
Insertion Loss Margin (dB)		>=20
Insertion Loss Margin (dB)		NEXT (dB)
Attenuation	F(Mhz)	ATT (dB/100M)
	50	4.5
	100	6
	200	8.5
	400	12.5
	800	17
	950	18.7
	1000	20

**TV COAXIAL CABLE 21VATC CABLE – Dca****CONSTRUCTION**

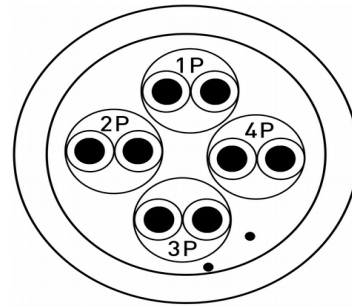
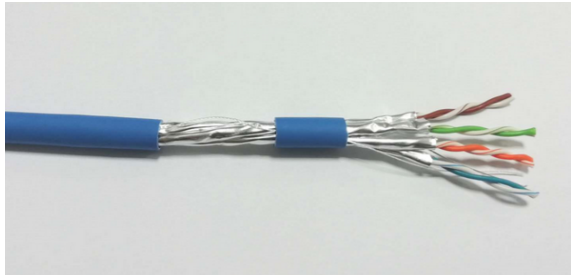
CONDUCTOR	Material	Copper Covering Steel
	Conductor O.D.(mm)	1.02+/-0.02
INSULATION	Material	FPE
	Core Color	WHITE
	Insulation O.D (mm)	4.8+/-0.15
SHIELD	SHIELD 1	AL
	SHIELD 2	PET
	BRAID	48/0.12mm ALM
	DRAIN	/
JACKET	Material :	LSZH – Dca
	Color	WHITE
	Nominal O.D. (mm)	6.8+/-0.2
Cable Marking	D21VCCSZ05	LEXMAN 21VATC TV Coaxial cable 75 Ohm LSZH Dca CE SXXXXX 001m...005m
	D21VCCSZ10	LEXMAN 21VATC TV Coaxial cable 75 Ohm LSZH Dca CE SXXXXXXXX 001m...010m
	D21VCCSZ25	LEXMAN 21VATC TV Coaxial cable 75 Ohm LSZH Dca CE SXXXXXXXX 001m...025m

TECHNICAL PERFORMANCE TEST

IMPEDANCE		75+/-3
Rated capacitance (pf/m)		52+/-2
Insertion Loss Margin (dB)		>=20
Insertion Loss Margin (dB)		NEXT (dB)
Attenuation	F(Mhz)	ATT (dB/100M)
	50	7.3
	100	7.9
	200	9.5
	400	13.0
	800	19.0
	950	20.9
	1000	21.5



U / FTP CAT6A NET CABLE -Dca



CONSTRUCTION

CONDUCTOR	Material	Solid bare copper
	Conductor O.D.(mm)	0.56+/-0.010
INSULATION	Material	FPE
	Core Color	1-Blue / white-blue 2-Orange / white-orange 3-Green / white -green 4-Brown / white-brown
	Insulation O.D (mm)	1.30+/-0.20
SHIELD	SHIELD FOIL	4 X AL FOIL
	BRAID	/
	DRAIN WIRE	1/0.40+/-0.10 TC
	SHIELD 4	/
RIP CORD	Nylon thread	1PC
JACKET	Material :	LSZH - Dca
	Color	RAL5015 Blue
	Nominal O.D. (mm)	7.4+/-0.2
CABLE MARKING	DC6AUFTZ10	LEXMAN U/FTP Cat 6A 4P 23AWG LSZH Dca CE Sxxxxxxxxx 001m....010m
	DC6AUFTZ25	LEXMAN U/FTP Cat 6A 4P 23AWG LSZH Dca CE Sxxxxxxxxx 001m....025m
	DC6AUFTZ50	LEXMAN U/FTP Cat 6A 4P 23AWG LSZH Dca CE Sxxxxxxxxx 001m....050m
	DC6AUFTZ100	LEXMAN U/FTP Cat 6A 4P 23AWG LSZH Dca CE Sxxxxxxxxx 001m....100m

REFRENECE STANDARD

ISO / IEC 11801

TECHNICAL PERFORMANCE Agilent TEST

Impedance

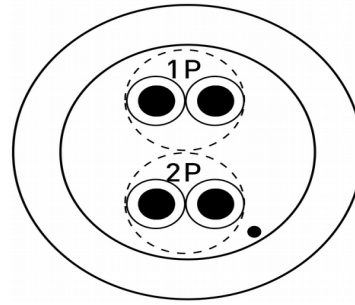
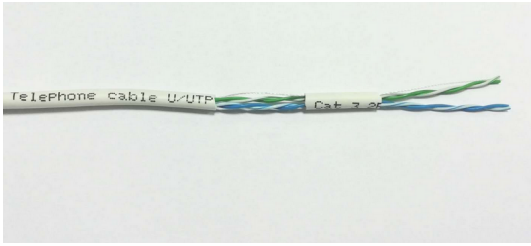
0-250MHZ 100Ω±15Ω / 250-500MHZ 100Ω±25Ω

FLUKE Permanent Link (Max:90m)

F (Mhz)	ATT (db/90m)	Next (db/90m)	RI (db/90m)	ACR-N (db/90m)	ACR-F (db/90m)	PS NEXT (db/90m)	PS ACR-N (db/90m)	PS ACR-F (db/90m)
1	4	65	21	61	65.2	62	58	62.2
4	4	64.1	21	60.1	53.2	61.8	57.8	50.2
8	4.9	59.4	21	54.5	47.2	57	52.1	44.2
10	5.5	57.8	21	52.4	45.2	55.5	50	42.2
16	6.9	54.6	20	47.7	41.2	52.2	45.3	38.2
20	7.7	53.1	19.5	45.3	39.2	50.7	43	36.2
25	8.6	51.5	19	42.9	37.3	49.1	40.5	34.3
31.25	9.7	50	18.5	40.3	35.3	47.5	37.9	32.3
62.5	13.8	45.1	16	31.3	29.3	42.7	28.8	26.3
100	17.6	41.8	14	24.2	25.2	39.3	21.7	22.2
200	25.4	36.9	11	11.5	19.2	34.3	8.9	16.2
250	28.6	35.3	10	6.7	17.3	32.7	4.1	14.3
350	34.3	32.6	8.6	-1.7	14.4	29.9	-4.4	11.4
500	41.5	29.3	8	-12.4	11.3	26.4	-15.3	8.3



U / UTP CAT3 2P TELEPHONE CABLE – Dca



CONSTRUCTION

CONDUCTOR	Material	Solid bare copper
	Conductor O.D.(mm)	0.46+/-0.010
INSULATION	Material	PE
	Core Color	1-Blue / White blue
		2-Green / white -green
Insulation O.D (mm)	0.83±0.10	
SHIELD	SHIELD 1	/
	SHIELD 2	/
	SHIELD 3	/
	SHIELD 4	/
RIP CORD	Nylon thread	1 PC
JACKET	Material :	CPR Dca LSZH
	Color	RAL9003 White
	Nominal O.D. (mm)	3.8+/-0.2
CABLE MARKING	DCUPT3BC25	LEXMAN Telephone cable U/UTP Cat 3 2P 25AWG Dca CE Sxxxxxxxx 001M....025M
	DCUPT3BC50	LEXMAN Telephone cable U/UTP Cat 3 2P 25AWG Dca CE Sxxxxxxxx 001M....050M

REFERENCE STANDARD

ISO / IEC 11801

TECHNICAL PERFORMANCE Agilent TEST

Impedance

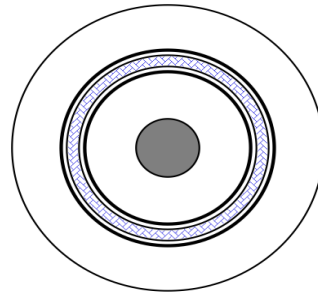
100Ω±15Ω

FLUKE Permanent Link(Max:90m)

F	ATT	Next	RI	ACR-N	ACR-F	PS NEXT	PS ACR-N	PS ACR-F
(Mhz)	(db/90m)	(db/90m)	(db/90m)	(db/90m)	(db/90m)	(db/90m)	(db/90m)	(db/90m)
1	4	40.1	15	36.1	/	/	/	/
4	6.4	30.6	15	24.2	/	/	/	/
8	8.8	25.8	15	17	/	/	/	/
10	9.8	24.3	15	14.5	/	/	/	/
16	12.2	21.1	15	8.8	/	/	/	/
/	/	/	/	/	/	/	/	/
/	/	/	/	/	/	/	/	/
/	/	/	/	/	/	/	/	/
/	/	/	/	/	/	/	/	/
/	/	/	/	/	/	/	/	/
/	/	/	/	/	/	/	/	/
/	/	/	/	/	/	/	/	/



TV COAXIAL CABLE 17PATC CABLE

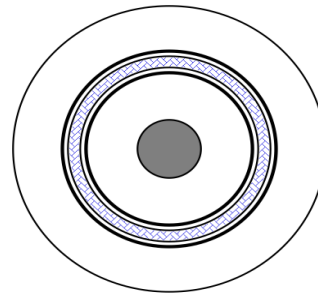


CONSTRUCTION

CONDUCTOR	Material	Copper Covering Steel
	Conductor O.D.(mm)	1.13+/-0.02
INSULATION	Material	FPE
	Core Color	WHITE
	Insulation O.D (mm)	4.85+/-0.15
SHIELD	SHIELD 1	AL
	SHIELD 2	AL
	BRAID	64/0.12mm ALM
	DRAIN	/
JACKET	Material :	LSZH - Eca
	Color	Black
	Nominal O.D. (mm)	6.8+/-0.2
Cable marking	E17PCCS310	LEXMAN 17PATC Tri-shield TV Coaxial cable 75 Ohm Eca CE SXXXX 001m...010m
	E17PCCS325	LEXMAN 17PATC Tri-shield TV Coaxial cable 75 Ohm Eca CE SXXXX 001m...025m
	E17PCCS350	LEXMAN 17PATC Tri-shield TV Coaxial cable 75 Ohm Eca CE SXXXX 001m...050m
	E17PCCS3100	LEXMAN 17PATC Tri-shield TV Coaxial cable 75 Ohm Eca CE SXXXX 001m...100m

TECHNICAL PERFORMANCE network analyzer TEST

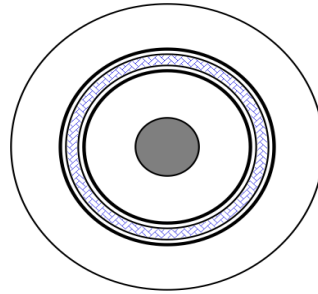
IMPEDANCE		75+/-3
Rated capacitance (pf/m)		52+/-2
Insertion Loss Margin (dB)		>=20
Insertion Loss Margin (dB)		NEXT (dB)
Attenuation	F(Mhz)	ATT (dB/100M)
	50	4.5
	100	6
	200	8.5
	400	12.5
	800	17
	950	18.7
	1000	20

**TV COAXIAL CABLE 17VATC CABLE****CONSTRUCTION**

CONDUCTOR	Material	Copper Covering Steel
	Conductor O.D.(mm)	1.13+/-0.02
INSULATION	Material	FPE
	Core Color	WHITE
	Insulation O.D (mm)	4.85+/-0.15
SHIELD	SHIELD 1	AL
	SHIELD 2	AL
	BRAID	64/0.12mm ALM
	DRAIN	/
JACKET	Material :	PVC - Eca
	Color	White
	Nominal O.D. (mm)	6.8+/-0.2
CABLE MARKING	E17VCCS305	LEXMAN 17VATC Tri-shield TV Coaxial cable 75 Ohm Eca CE SXXXX 001m...005m
	E17VCCS310	LEXMAN 17VATC Tri-shield TV Coaxial cable 75 Ohm Eca CE SXXXX 001m...010m
	E17VCCS325	LEXMAN 17VATC Tri-shield TV Coaxial cable 75 Ohm Eca CE SXXXX 001m...025m
	E17VCCS350	LEXMAN 17VATC Tri-shield TV Coaxial cable 75 Ohm Eca CE SXXXX 001m...050m
	E17VCCS3100	LEXMAN 17VATC Tri-shield TV Coaxial cable 75 Ohm Eca CE SXXXX 001m...100m

TECHNICAL PERFORMANCE network analyzer TEST

IMPEDANCE		75+/-3
Rated capacitance (pf/m)		52+/-2
Insertion Loss Margin (dB)		>=20
Insertion Loss Margin (dB)		NEXT (dB)
Attenuation	F(Mhz)	ATT (dB/100M)
	50	4.5
	100	6
	200	8.5
	400	12.5
	800	17
	950	18.7
	1000	20

**TV COAXIAL CABLE 21VATC CABLE****CONSTRUCTION**

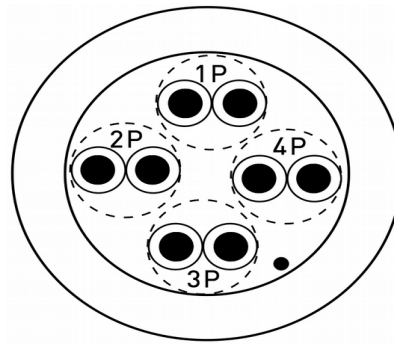
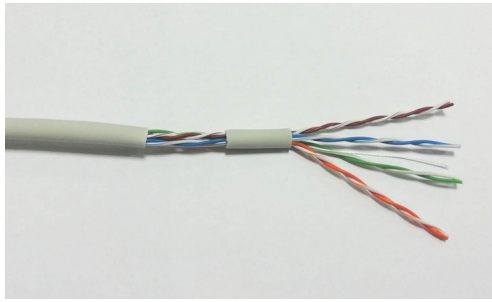
CONDUCTOR	Material	Copper Covering Steel
	Conductor O.D.(mm)	1.02+/-0.02
INSULATION	Material	FPE
	Core Color	WHITE
	Insulation O.D (mm)	4.8+/-0.15
SHIELD	SHIELD 1	AL
	SHIELD 2	PET
	BRAID	48/0.12mm ALM
	DRAIN	/
JACKET	Material :	PVC – Eca
	Color	WHITE
	Nominal O.D. (mm)	6.8+/-0.2
Cable Marking	E21VCCS05	LEXMAN 21VATC TV Coaxial cable 75 Ohm Eca CE SXXXXXXXXX 001m...005m
	E21VCCS10	LEXMAN 21VATC TV Coaxial cable 75 Ohm Eca CE SXXXXXXXXX 001m...010m
	E21VCCS25	LEXMAN 21VATC TV Coaxial cable 75 Ohm Eca CE SXXXXXXXXX 001m...025m

TECHNICAL PERFORMANCE TEST

IMPEDANCE		75+/-3
Rated capacitance (pf/m)		52+/-2
Insertion Loss Margin (dB)		>=20
Insertion Loss Margin (dB)		NEXT (dB)
Attenuation	F(Mhz)	ATT (dB/100M)
	50	7.3
	100	7.9
	200	9.5
	400	13.0
	800	19.0
	950	20.9
	1000	21.5



U / UTP CAT5e NET CABLE



CONSTRUCTION

CONDUCTOR	Material	Solid bare copper
	Conductor O.D.(mm)	0.48+/-0.010
INSULATION	Material	PE
	Core Color	1-Blue / white-blue 2-Orange / white-orange 3-Green / white-green 4-Brown / white-brown
	Insulation O.D (mm)	0.86+/-0.10
SHIELD	SHIELD 1	/
	SHIELD 2	/
	SHIELD 3	/
	SHIELD 4	/
RIP CORD	Nylon thread	1 PCS
JACKET	Material :	LSZH – Eca
	Color	RAL7035 Gray
	Nominal O.D. (mm)	4.8+/-0.2
CABLE MARKING	EC5UTZ10	LEXMAN U/UTP Cat 5e 4P 24AWG LSZH Eca CE Sxxxxxxxxx 001m....010m
	EC5UTZ25	LEXMAN U/UTP Cat 5e 4P 24AWG LSZH Eca CE Sxxxxxxxxx 001m....025m
	EC5UTZ50	LEXMAN U/UTP Cat 5e 4P 24AWG LSZH Eca CE Sxxxxxxxxx 001m....050m
	EC5UTZ100	LEXMAN U/UTP Cat 5e 4P 24AWG LSZH Eca CE Sxxxxxxxxx 001m....100m

REFERENCE STANDARD

ISO / IEC 11801

TECHNICAL PERFORMANCE Agilent TEST

Impedance

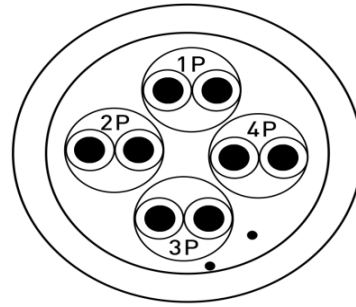
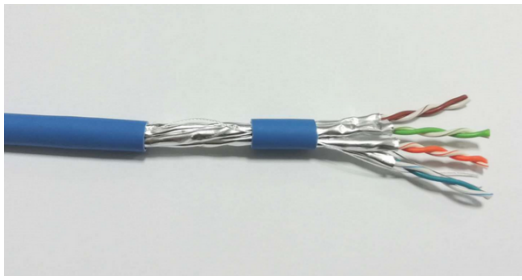
100Ω±15Ω

FLUKE Permanent Link (Max:90m)

F	ATT	Next	RI	ACR-N	ACR-F	PS NEXT	PS ACR-N	PS ACR-F
(Mhz)	(db/90m)	(db/90m)	(db/90m)	(db/90m)	(db/90m)	(db/90m)	(db/90m)	(db/90m)
1	4	60	19	56	58.6	57	53	55.6
4	4	54.8	19	50.8	46.6	51.8	47.8	43.6
8	5.4	50	19	44.6	40.6	47	41.6	37.6
10	6.1	48.5	19	42.4	38.6	45.5	39.4	35.6
16	7.7	45.2	19	37.5	34.5	42.2	34.5	31.5
20	8.7	43.7	19	35	32.6	40.7	32	29.6
25	9.7	42.1	18	32.4	30.7	39.1	29.4	27.7
31.25	10.9	40.5	17.1	29.6	28.7	37.5	26.6	25.7
62.5	15.8	35.7	14	19.8	22.7	32.7	16.8	19.7
100	20.4	32.3	12	11.9	18.6	29.3	8.9	15.6



U / FTP CAT6A NET CABLE



CONSTRUCTION

CONDUCTOR	Material	Solid bare copper
	Conductor O.D.(mm)	0.56+/-0.010
INSULATION	Material	PE
	Core Color	1-Blue / white-blue 2-Orange / white-orange 3-Green / white -green 4-Brown / white-brown
	Insulation O.D (mm)	1.30+/-0.20
SHIELD	SHIELD FOIL	4 X AL FOIL
	BRAID	/
	DRAIN WIRE	1/0.40+/-0.010 TC
	SHIELD 4	/
RIP CORD	Nylon thread	1PC
JACKET	Material :	LSZH - Eca
	Color	RAL5015 Blue
	Nominal O.D. (mm)	7.4+/-0.2
CABLE MARKING	EC6AUFTZ10	LEXMAN U/FTP Cat 6A 4P 23AWG LSZH Eca CE Sxxxxxxxxx 001m....010m
	EC6AUFTZ25	LEXMAN U/FTP Cat 6A 4P 23AWG LSZH Eca CE Sxxxxxxxxx 001m....025m
	EC6AUFTZ50	LEXMAN U/FTP Cat 6A 4P 23AWG LSZH Eca CE Sxxxxxxxxx 001m....050m
	EC6AUFTZ100	LEXMAN U/FTP Cat 6A 4P 23AWG LSZH Eca CE Sxxxxxxxxx 001m....100m

REFERENCE STANDARD

ISO / IEC 11801

TECHNICAL PERFORMANCE Agilent TEST

Impedance

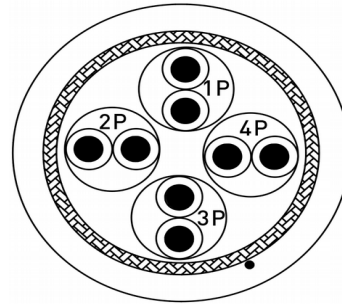
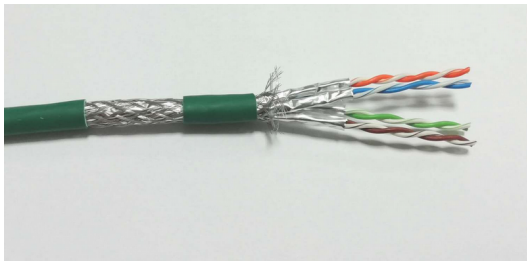
0-250MHZ 100Ω±15Ω / 250-500MZH 100Ω±25Ω

FLUKE Permanent Link (Max:90m)

F (Mhz)	ATT (db/90m)	Next (db/90m)	RI (db/90m)	ACR-N (db/90m)	ACR-F (db/90m)	PS NEXT (db/90m)	PS ACR-N (db/90m)	PS ACR-F (db/90m)
1	4	65	21	61	65.2	62	58	62.2
4	4	64.1	21	60.1	53.2	61.8	57.8	50.2
8	4.9	59.4	21	54.5	47.2	57	52.1	44.2
10	5.5	57.8	21	52.4	45.2	55.5	50	42.2
16	6.9	54.6	20	47.7	41.2	52.2	45.3	38.2
20	7.7	53.1	19.5	45.3	39.2	50.7	43	36.2
25	8.6	51.5	19	42.9	37.3	49.1	40.5	34.3
31.25	9.7	50	18.5	40.3	35.3	47.5	37.9	32.3
62.5	13.8	45.1	16	31.3	29.3	42.7	28.8	26.3
100	17.6	41.8	14	24.2	25.2	39.3	21.7	22.2
200	25.4	36.9	11	11.5	19.2	34.3	8.9	16.2
250	28.6	35.3	10	6.7	17.3	32.7	4.1	14.3
350	34.3	32.6	8.6	-1.7	14.4	29.9	-4.4	11.4
500	41.5	29.3	8	-12.4	11.3	26.4	-15.3	8.3



S / FTP CAT7 NET CABLE



CONSTRUCTION

CONDUCTOR	Material	Solid bare copper
	Conductor O.D.(mm)	0.575+/-0.010
INSULATION	Material	FPE
	Core Color	1-Blue / white-blue 2-Orange / white-orange
		3-Green / white -green 4-Brown / white-brown
Insulation O.D (mm)	1.35+/-0.20	
SHIELD	SHIELD FOIL	4 X AL FOIL
	BRAID	AL-MG BRAID
	SHIELD 3	/
	SHIELD 4	/
RIP CORD	Nylon thread	1PC
JACKET	Material :	LSZH – Eca
	Color	RAL6016 Green
	Nominal O.D. (mm)	7.8+/-0.2
CABLE MARKING	EC7SFTZ25	LEXMAN S/FTP Cat 7 4P 23AWG LSZH Eca CE Sxxxxxxxxx 001m....025m

REFERENCE STANDARD

ISO / IEC 11801

TECHNICAL PERFORMANCE Agilent 100M TEST

Impedance

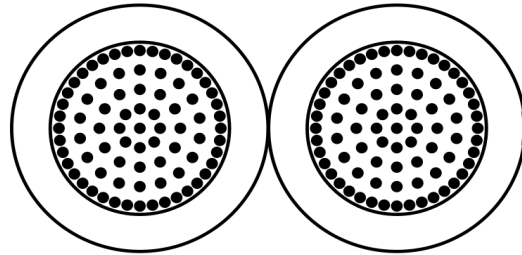
0-250MHZ 100Ω±15Ω / 250-600MZH 100Ω±25Ω

FLUKE Channel Link (Max:100m)

F (Mhz)	ATT (db/90m)	Next (db/90m)	RI (db/90m)	ACR-N (db/90m)	ACR-F (db/90m)	PS NEXT (db/90m)	PS ACR-N (db/90m)	PS ACR-F (db/90m)
1	4	65	19	61	63.3	62	58	60.3
4	4.2	63	19	58.9	51.2	60.5	56.4	48.2
8	5.8	58.2	19	52.4	45.2	55.6	49.8	42.2
10	6.5	56.6	19	50.1	43.3	54	47.5	40.3
16	8.2	53.2	18	45	39.2	50.6	42.4	36.2
20	9.2	51.6	17.5	42.5	37.2	49	39.8	34.2
25	10.2	50	17	39.8	35.3	47.3	37.1	32.3
31.25	11.5	48.4	16.5	36.9	33.4	45.7	34.2	30.4
62.5	16.4	43.4	14	27	27.3	40.6	24.2	24.3
100	20.9	39.9	12	19	23.3	37.1	16.2	20.3
200	30.1	34.8	9	4.7	17.2	31.9	1.8	14.2
250	33.9	33.1	8	-0.8	15.3	30.2	-3.7	12.3
350	40.6	30.6	6.6	-10	12.4	27.6	-13	9.7
500	49.3	27.9	6	-21.4	9.3	24.8	-24.5	6.3



Hi-Fi CABLE 2x2.5mm² (CCA)



CONSTRUCTION

Name	item	Specifications
2*2.5mm ²	Material	CCA
	Conductor O.D.(mm)	2*79/0.20+/-0.01
	Nominal O.D. (mm)	3.8*7.6+/-0.2
	Color	Transparent +red
	JACKET Material	PVC – Eca

Test

Resistance	<10.53 Ohm/KM	
Cable marking	ECCL25CCA10	LEXMAN Loudspeaker cable 2x2.5mm ² Eca CE SXXXXXXXXX 001m...010m
	ECCL25CCA25	LEXMAN Loudspeaker cable 2x2.5mm ² Eca CE SXXXXXXXXX 001m...025m
	ECCL25CCA50	LEXMAN Loudspeaker cable 2x2.5mm ² Eca CE SXXXXXXXXX 001m...050m
	ESCCL25CCA10	LEXMAN Loudspeaker cable 2x2.5mm ² Eca CE SXXXXXXXXX 001m...010m
	ESCCL25CCA25	LEXMAN Loudspeaker cable 2x2.5mm ² Eca CE SXXXXXXXXX 001m...025m

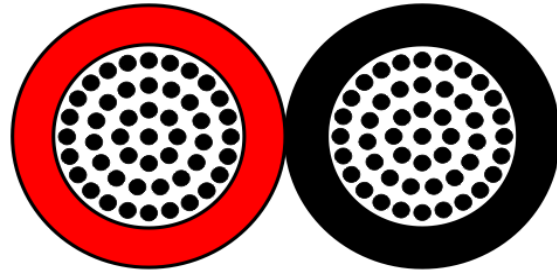
Made by : Deric

Approved by : Jean

Date : 2020.06.01



Hi-Fi CABLE 2x1.5mm² (CCA)



CONSTRUCTION

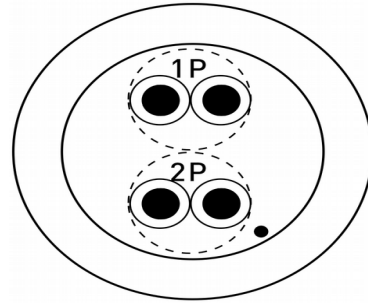
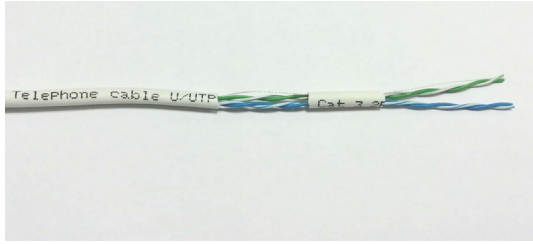
Name	item	Specifications
2*1.5mm ²	Material	CCA
	Conductor O.D.(mm)	2*48/0.20+/-0.01
	Nominal O.D. (mm)	3.2*6.4+/-0.2
	Color	RED(PANTONE193C) + BLACK(PANTONE6C)
	JACKET Material	PVC – Eca

TEST

RESISTANCE		<=17.33 Ohm/KM
Cable marking	ECHP15CCA05	LEXMAN Loudspeaker cable 2x1.5mm ² Eca CE SXXXXXXXXX 001m...005m
	ECHP15CCA10	LEXMAN Loudspeaker cable 2x1.5mm ² Eca CE SXXXXXXXXX 001m...010m
	ECHP15CCA25	LEXMAN Loudspeaker cable 2x1.5mm ² Eca CE SXXXXXXXXX 001m...025m
	ECHP15CCA50	LEXMAN Loudspeaker cable 2x1.5mm ² Eca CE SXXXXXXXXX 001m...050m
	ESCHP15CCA05	LEXMAN Loudspeaker cable 2x1.5mm ² Eca CE SXXXXXXXXX 001m...005m
	ESCHP15CCA10	LEXMAN Loudspeaker cable 2x1.5mm ² Eca CE SXXXXXXXXX 001m...010m
	ESCHP15CCA25	LEXMAN Loudspeaker cable 2x1.5mm ² Eca CE SXXXXXXXXX 001m...025m



U / UTPCAT3 2P TELEPHONE CABLE



CONSTRUCTION

CONDUCTOR	Material	Solid bare copper
	Conductor O.D.(mm)	0.46+/-0.01
INSULATION	Material	PE
	Core Color	1-Blue / White blue 2-Green / white -green
	Insulation O.D (mm)	0.83±0.10
SHIELD	SHIELD 1	/
	SHIELD 2	/
	SHIELD 3	/
	SHIELD 4	/
RIP CORD	Nylon thread	1 PC
JACKET	Material :	CPR Eca PVC
	Color	RAL9003 White
	Nominal O.D. (mm)	3.8+/-0.2
CABLE MARKING	ECUPT3BC25	LEXMAN Telephone cable U/UTP Cat 3 2P 25AWG Eca CE Sxxxxxxxx 001M....025M
	ECUPT3BC50	LEXMAN Telephone cable U/UTP Cat 3 2P 25AWG Eca CE Sxxxxxxxx 001M....050M

REFRENC STANDARD

ISO / IEC 11801

TECHNICAL PERFORMANCE Agilent TEST

Impedance

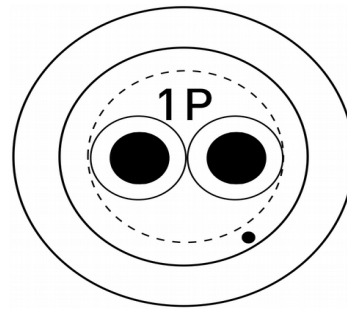
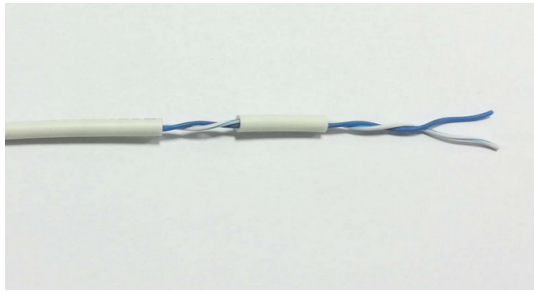
100Ω±15Ω

FLUKE Permanent Link (Max:90m)

F	ATT	Next	RI	ACR-N	ACR-F	PS NEXT	PS ACR-N	PS ACR-F
(Mhz)	(db/90m)	(db/90m)	(db/90m)	(db/90m)	(db/90m)	(db/90m)	(db/90m)	(db/90m)
1	4	40.1	15	36.1	/	/	/	/
4	6.4	30.6	15	24.2	/	/	/	/
8	8.8	25.8	15	17	/	/	/	/
10	9.8	24.3	15	14.5	/	/	/	/
16	12.2	21.1	15	8.8	/	/	/	/
/	/	/	/	/	/	/	/	/
/	/	/	/	/	/	/	/	/
/	/	/	/	/	/	/	/	/
/	/	/	/	/	/	/	/	/
/	/	/	/	/	/	/	/	/
/	/	/	/	/	/	/	/	/
/	/	/	/	/	/	/	/	/
/	/	/	/	/	/	/	/	/
/	/	/	/	/	/	/	/	/



U / UTP CAT3 1P TELEPHONE CABLE



CONSTRUCTION

CONDUCTOR	Material	Solid bare copper
	Conductor O.D.(mm)	0.46+/-0.01
INSULATION	Material	PE
	Core Color	1-Blue / White blue
	Insulation O.D (mm)	0.83±0.10
SHIELD	SHIELD 1	/
	SHIELD 2	/
	SHIELD 3	/
	SHIELD 4	/
RIP CORD	Nylon thread	1 PC
JACKET	Material :	CPR Eca PVC
	Color	RAL9003 White
	Nominal O.D. (mm)	2.8+/-0.2
CABLE MARKING	ECUTP2BC25	LEXMAN Telephone cable U/UTP Cat 3 1P 25AWG Eca CE Sxxxxxxxxx 001M....025M
	ECUTP2BC50	LEXMAN Telephone cable U/UTP Cat 3 1P 25AWG Eca CE Sxxxxxxxxx 001M....050M

REFRENCES STANDARD

ISO / IEC 11801

TECHNICAL PERFORMANCE Agilent TEST

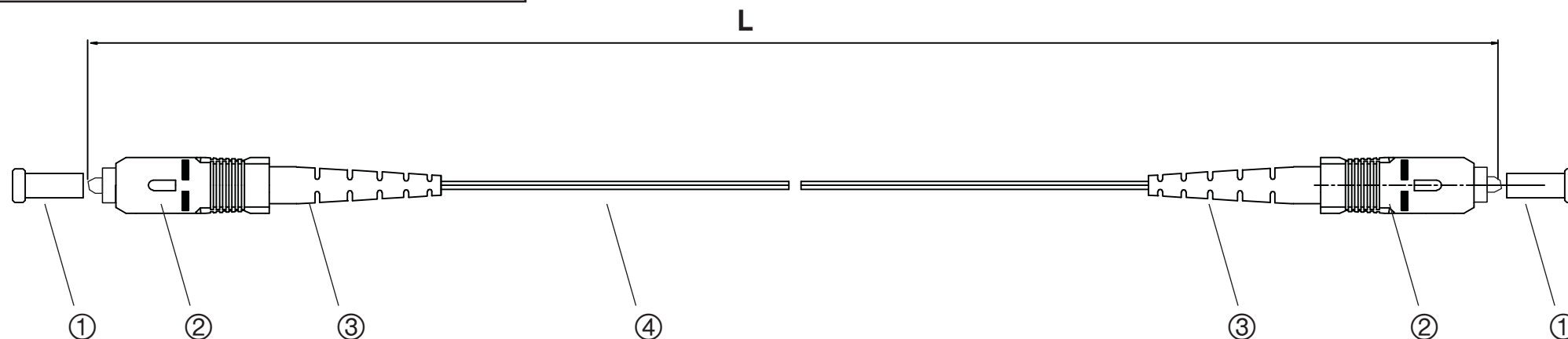
Impedance

100Ω±15Ω

FLUKE Permanent Link (Max:90m)

F	ATT	Next	RI	ACR-N	ACR-F	PS NEXT	PS ACR-N	PS ACR-F
(Mhz)	(db/90m)	(db/90m)	(db/90m)	(db/90m)	(db/90m)	(db/90m)	(db/90m)	(db/90m)
1	4	/	15	/	/	/	/	/
4	6.4	/	15	/	/	/	/	/
8	8.8	/	15	/	/	/	/	/
10	9.8	/	15	/	/	/	/	/
16	12.2	/	15	/	/	/	/	/
/	/	/	/	/	/	/	/	/
/	/	/	/	/	/	/	/	/
/	/	/	/	/	/	/	/	/
/	/	/	/	/	/	/	/	/
/	/	/	/	/	/	/	/	/
/	/	/	/	/	/	/	/	/
/	/	/	/	/	/	/	/	/
/	/	/	/	/	/	/	/	/
/	/	/	/	/	/	/	/	/
/	/	/	/	/	/	/	/	/

NOTE:ALL MATERIAL ARE RoHS COMPLIANT




NOTE:

- 1. Temperature : -40°C~+85°C
- 2. OD:3.0x2.0mm,G657A2
- 3. Connector: SC/APC
- 4. IL<=0.3dB, RL>=45dB

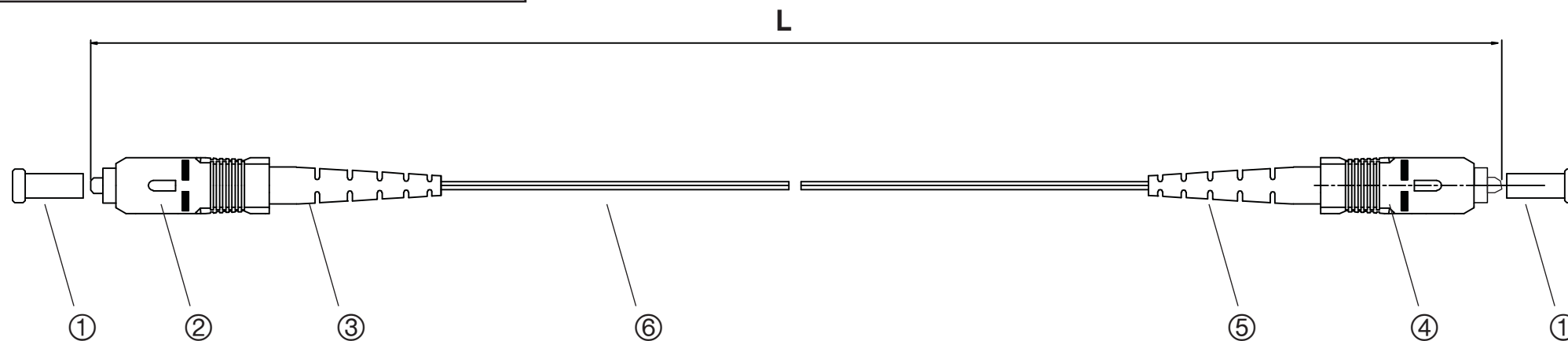
BOM

No.	Description	Unit	Qty.
1	Protector	pcs	2
2	Green shell	pcs	2
3	Green tail cover	pcs	2
4	G657A2 OD:3.0x2.0+/-0.1mm white optical cable Marking: GJXH 1B6a G657A2 LSZH 20xx xxxxM.....	mm	L

Custo.type	EXC Code	L(mm)
829578	FB122ELM	3000+/-40
829576	FB122GLM	5000+/-100
829580	FB122HLM	10000+/-200

Date	Update information		
Customer:	ADEO		Custo.type:
EXC Item:	FB122LM	Drawing No.:	EXC20Y041-093001
Draw by:	Deric	Checked by:	Jean
Date:	30/09/2020	Option:	No fixed scale
 EXCALIBUR-KUNSHAN			Rev: 1.0

NOTE:ALL MATERIAL ARE RoHS COMPLIANT



NOTE:

1. Temperature : -40°C~+85°C

2. OD:3.0x2.0mm,G657A2

3.Connector: SC/UPC, SC/APC


4.UPC IL<=0.3dB, RL>=40dB

APC IL<=0.3dB, RL>=45dB

BOM

No.	Description	Unit	Qty.
1	Protector	pcs	2
2	Blue shell	pc	1
3	Blue tail cover	pc	1
4	Green shell	pc	1
5	Green tail cover	pc	1
6	G657A2 OD:3.0x2.0+/-0.1mm white optical cable Marking: GJXH 1B6a G657A2 LSZH 20xx xxxxM	mm	L

Custo.type	EXC Code	L(mm)
829579	FB125ELM	3000+/-40
829577	FB125GLM	5000+/-100
829575	FB125HLM	10000+/-200

Date	Update information		
Customer:	ADEO		Custo.type:
EXC Item:	FB125LM	Drawing No.:	EXC20Y041-093002
Draw by:	Deric	Checked by:	Jean
Date:	30/09/2020	Option:	No fixed scale
 EXCALIBUR-KUNSHAN			Rev: 1.0