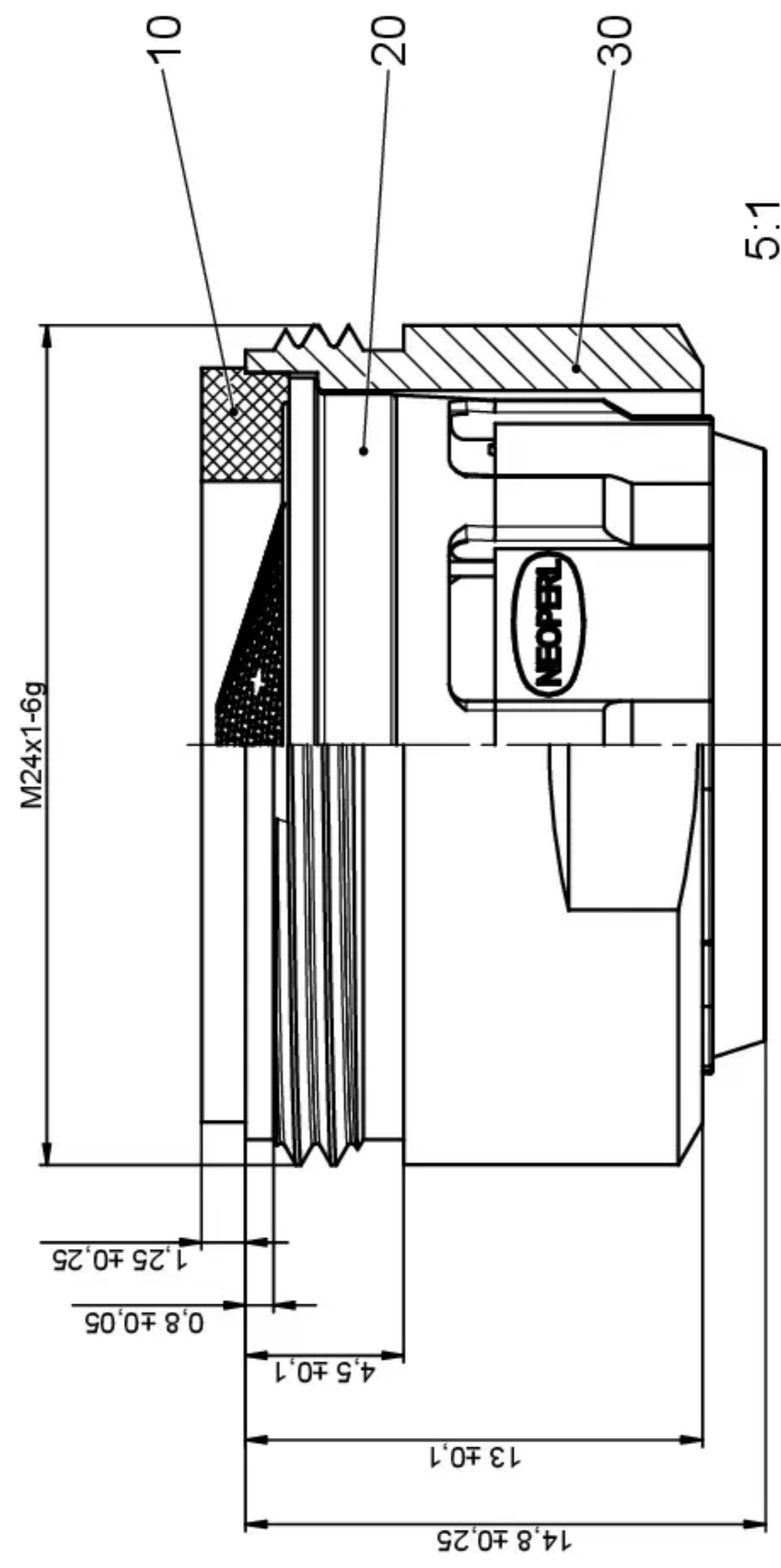


Part No.	Flow Rate	Colour Code Pos. 20
40.0003.03C00	A	light-blue
40.0005.03C00	B	dark blue



NEOPERL GmbH D-79379 Müllheim		Change No.: 500000006697	Approval of drawing change:	Rev. A
Date	Name	Date: 29.04.2020	Date: 16.06.2020	
Drawn: 29.04.2020	T. DAHM	Drawn: T. Dahm	Approv.: A. Stein	
Approv.: 26.02.2009	H. GREYER	Surface DIN EN ISO 1302	Part No.: 40.0003.03C00 - 40.0005.03C00	
Scale: 3:1		General tolerances DIN ISO 2768-fH		
Format: A3	Page 1 of 2	work pieces DIN ISO 13715		
Volume:		NEOPERL® flow, stop and go®	Title: CC-SLC-STD-m M24x1-C-A-B	
Weight:			Material:	Material Description / Tradename:
			Replacement for: 40.0003.03C00 REV.- (1) Origin: .	

Qty.	1	housing m M24x1	30	50.1111.50000	CW614N chrome plated
	1	CC-SLC-STD-IT-C-A-D	20	see following sheet	see Part No. 40.0003.00800 - 40.0007.00800
	1	washer 15,0x21,3x2,8	10	55.1223.10000	NBR
		Title	Pos.	Part-No.	Material