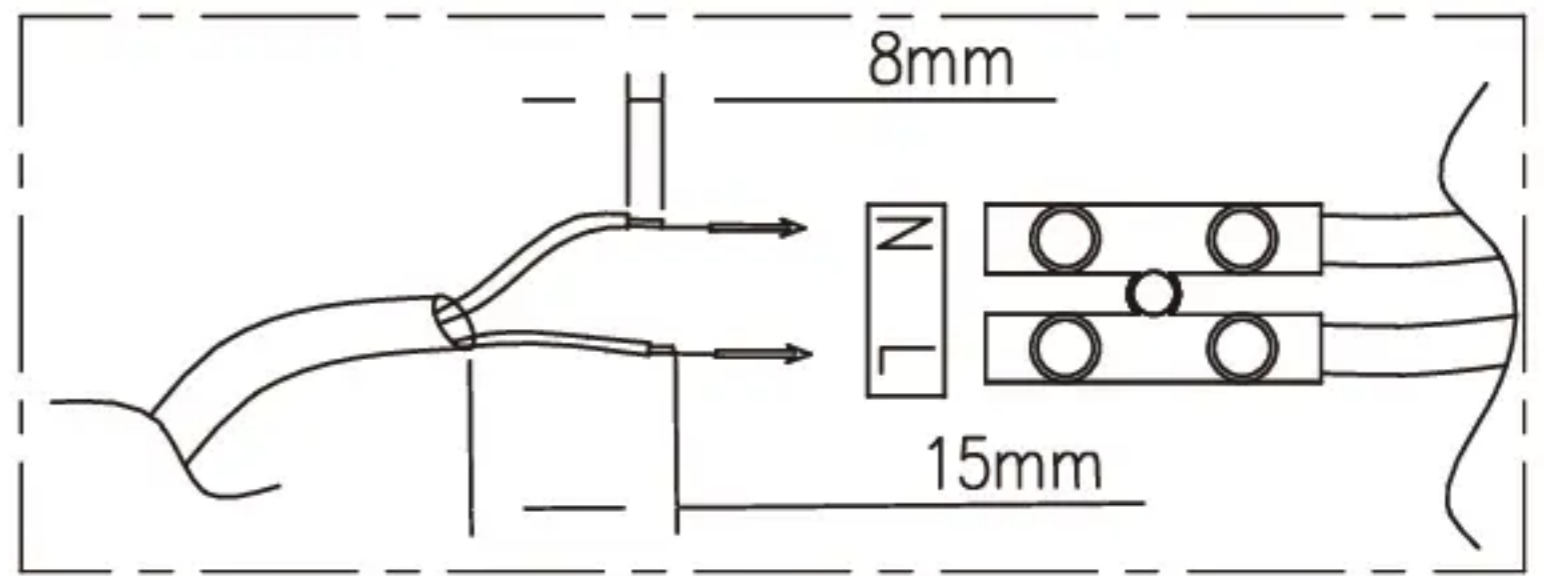


Camino

LP-1101/1SM

1xAR111 GU10 MAX. 50W

230V-50Hz



①

