

# Moon

LP-559/3R  
LED 12W  
230V ~ 50Hz

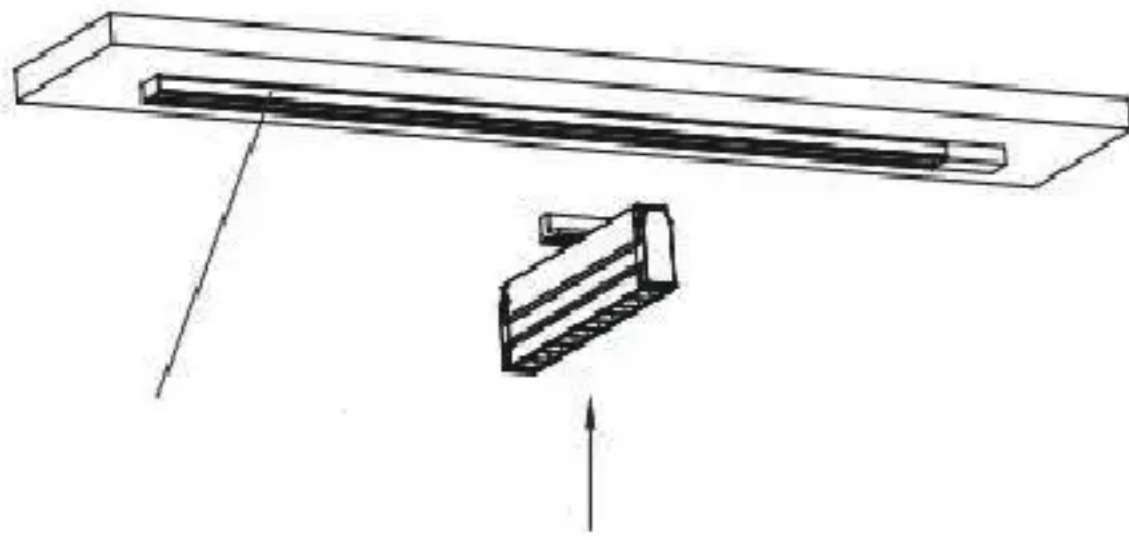
## Product Description:

Track linear light 120°

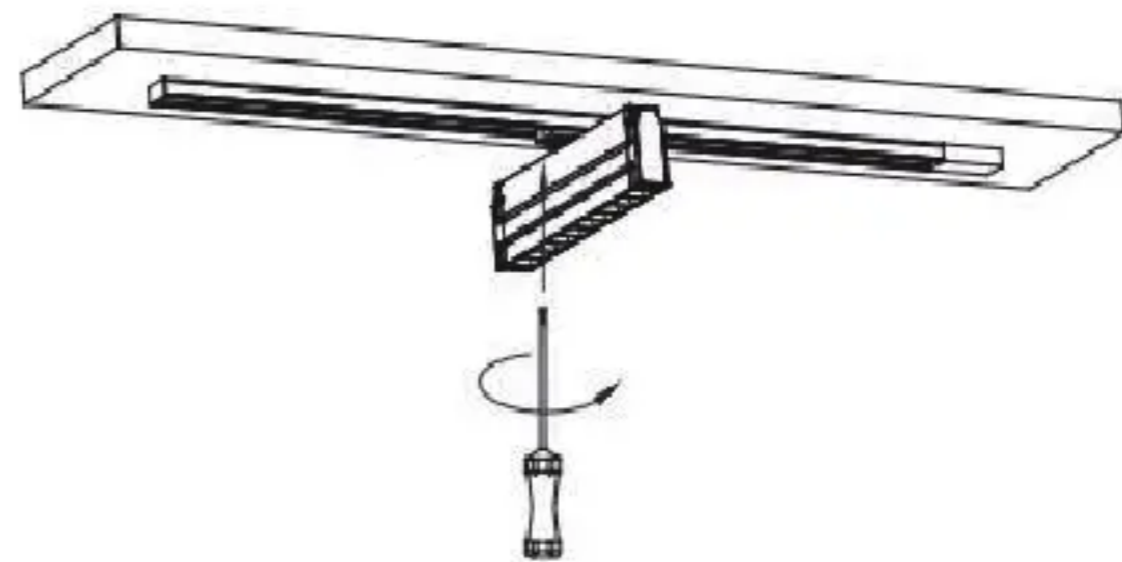
## Instruction:

Step1. Attach the 3-line or 4-line track to the ceiling or wall.

Put the light into the track.



Step2. Tighten the switch with a slotted screwdriver.



Step3. Adjust the position and angle of the track light.

Move freely on the guide rail

