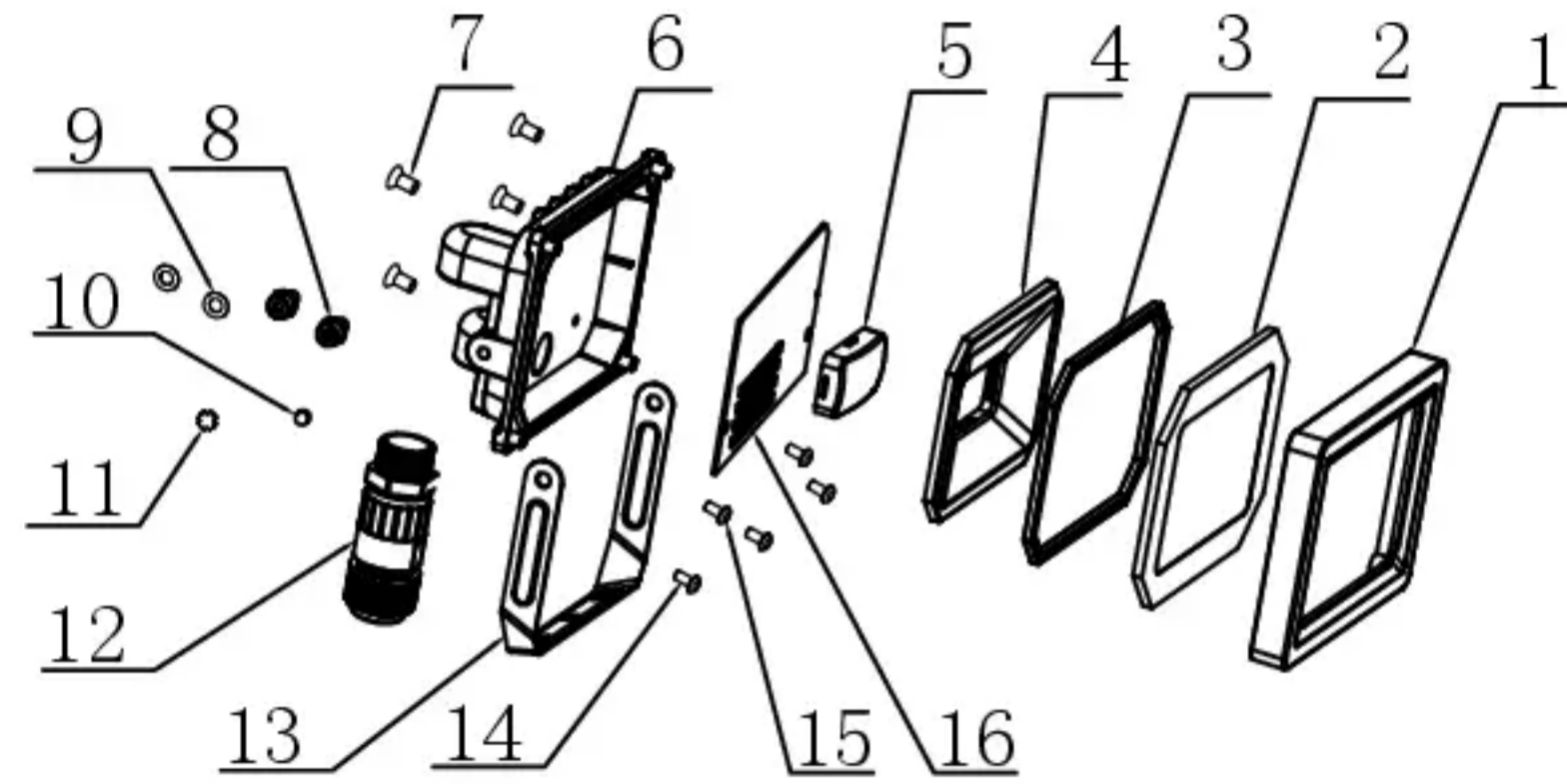


BD05C-YON-50-G,BD05C-YON-50-W



NO	Name	Quantity
1	Surface cover	1
2	Glass	1
3	waterproof ring	1
4	reflector cup	1
5	PC Shade	1
6	Heat sink	1
7	Screw_machine tooth_4*8	4
8	Screw_machine tooth_5*12	2
9	flat washer	2
10	breather plug	1
11	silica gel plug	1
12	Waterproof terminal block	1
13	Bracket	1
14	Screw_machine tooth_3	1
15	Screw_Self-tapping_3*6	4
16	PCB	1