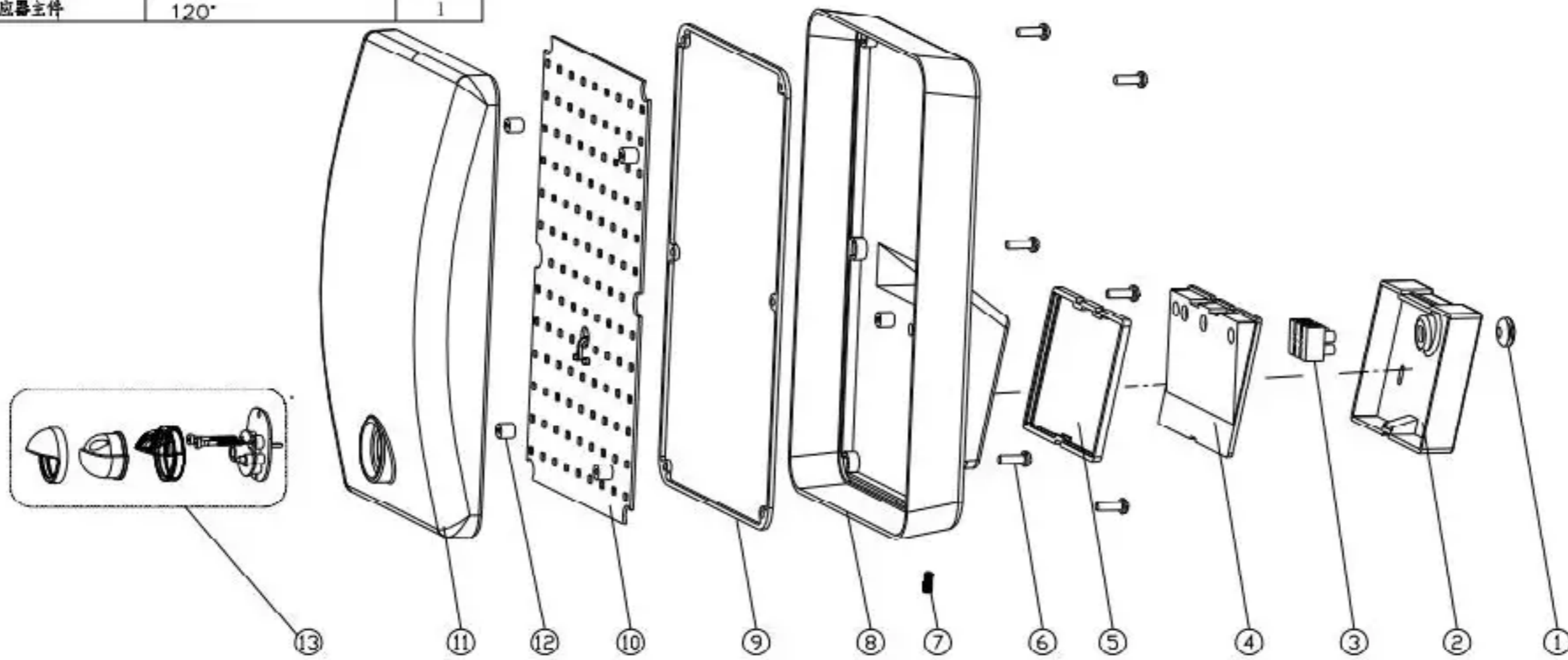


感应器主件 120° 1



Component requirements

Compo N°	Name	Standard / drawing N°	Assembly Type	Material Type	Materiel Reference	Painting	Color reference	QTY
1	cable gland			Silicon rubber			BLACK	1
2	bracket			ABS			Black	1
3	terminal			3P				1
4	base			ABS				1
5	sealing			Silicon rubber				1
6	SCREW			Stainless steel			ANTHRACITE RAL	6
7	SCREW			Stainless steel				1
8	BODY			METAL			ANTHRACITE RAL	1
9	sealing			Silica gel				1
10	PCB board			2835 LED				1