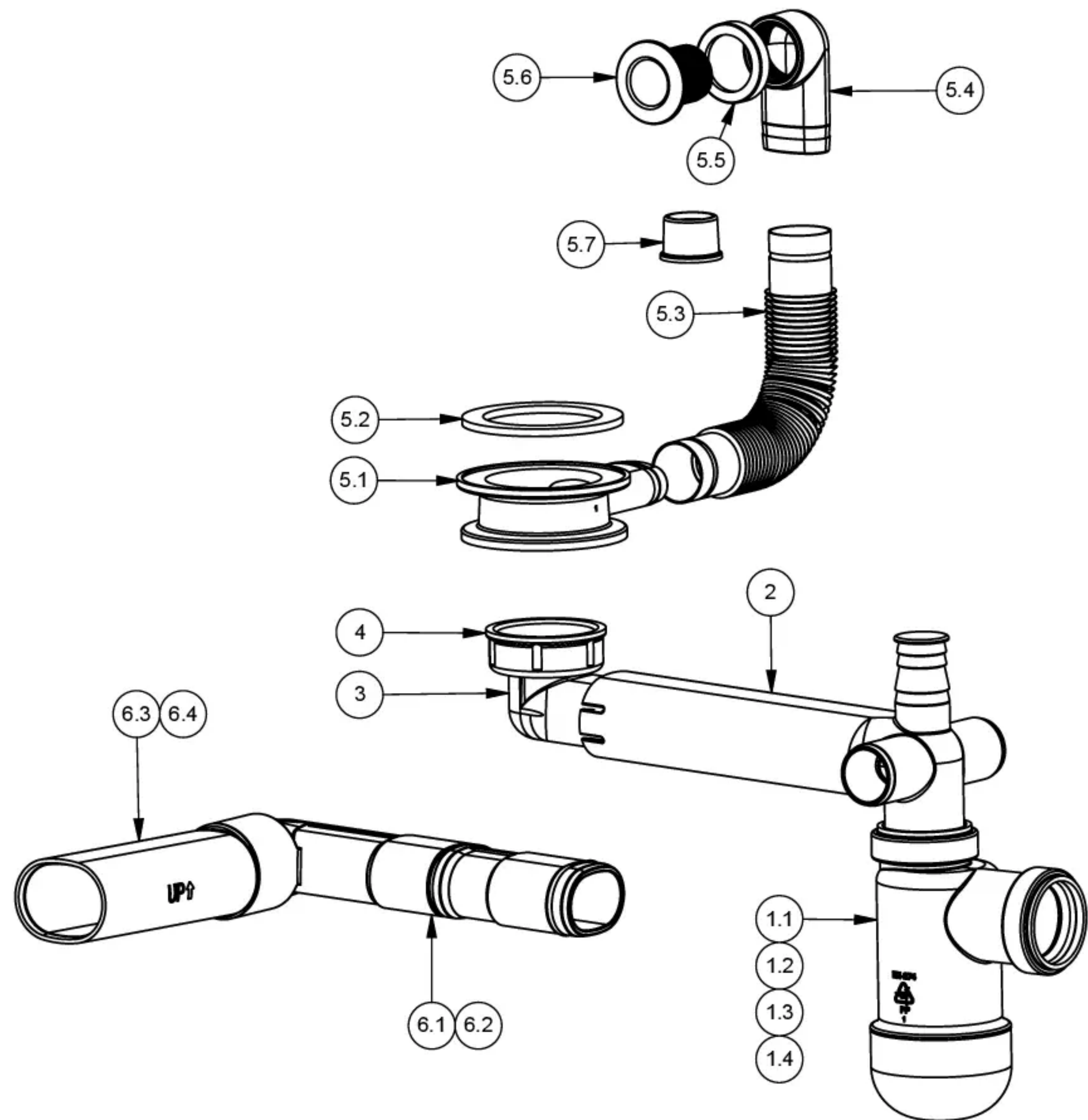


ITEM	PART NR	DESCRIPTION	MATERIAL	QTY
1	630892	Body Preloc 32 mm		1
1.1	630892	Body	PP Copolymer	1
1.2	71694	O-ring 47x2,5	NBR 70	1
1.3	61888	Preloc bottom cup	PP Copolymer	1
1.4	71141	Gasket 32mm	EPDM	2
2	630902	Bend 88°	PP Copolymer	1
3	63395	Waste arm for ring nut 2K	PP Copo / TPE	1
4	61107	Washer R1¼ 35,5 mm	PP Copolymer	1
5	KIT-OFL-014	Overflow kit		1
5.1	6317300	Connector 70x23	PP Copolymer	1
5.2	71755	Gasket 65/48	EPDM	1
5.3	72166	FLEXIBLE OVERFLOW PIPE Ø25 MM 1.45-3.70	PP	1
5.4	61458	House M23	PP Copolymer	1
5.5	61459	Gasket M23	TPE	1
5.6	719593	Connector M23 L26,5	ABS	1
5.7	63289	Overflow adapter gasket	TPE	1
6	61452	90°/88° Angle pipe		1
6.1	61450	90° Angle for 88° Bend	PP Copolymer	1
6.2	71830	O-ring 31x2 EPDM70	EPDM	1
6.3	61451	88° Bend for 90° Angle	PP Copolymer	1
6.4	71682	O-ring 29x2	EPDM	1



Product **Space saving sanitary siphon kit NEO 2**
Type
No **PR3-N4RNA-002**
Date **20.10.2020 mb**

New type New version Old version

PREVEX

FIN-66900 Uusikaarlepyy/Nykarleby

Approved