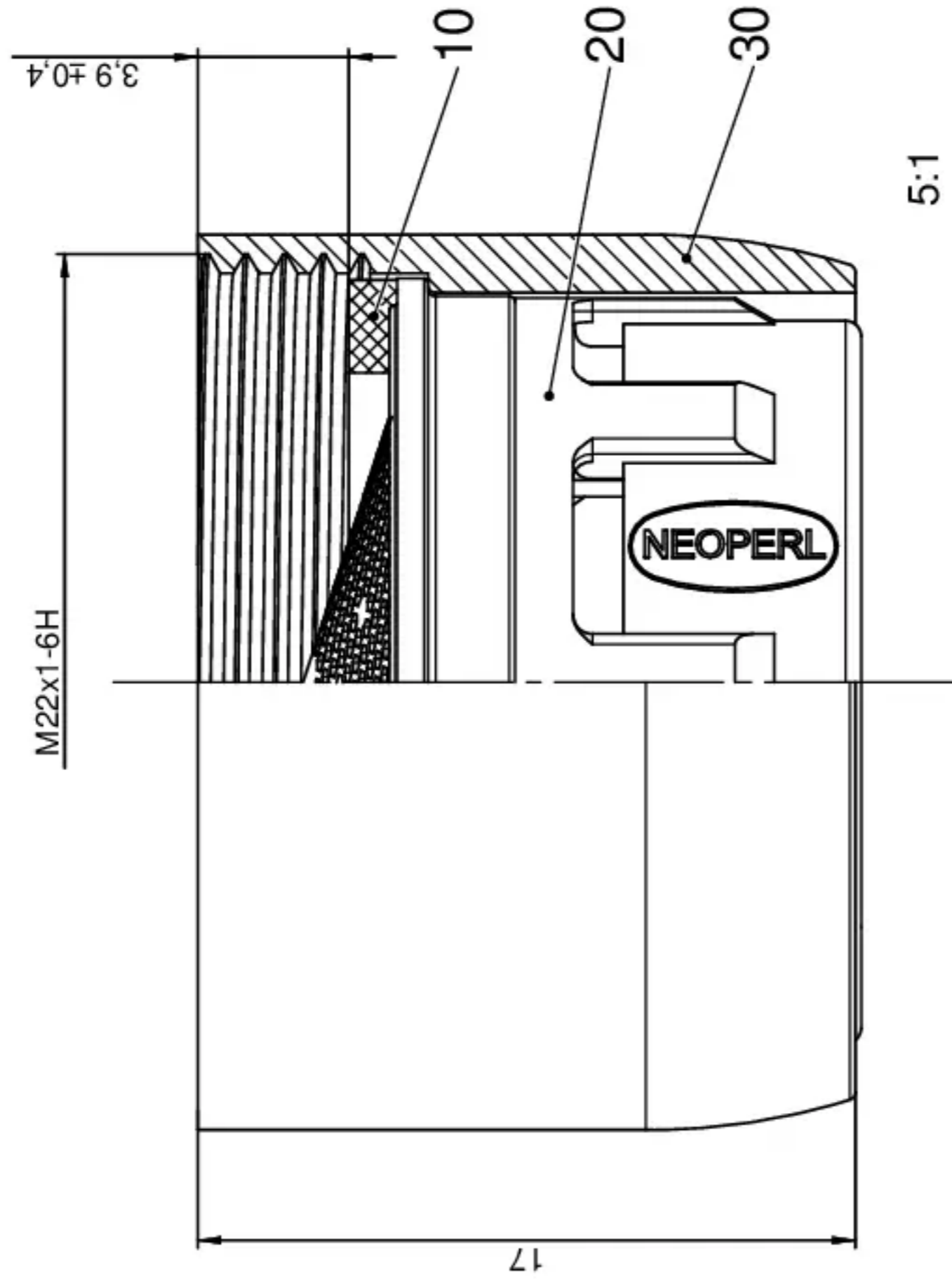


Copyright of this document, and giving it to others and the use or communication of the contents thereof, are forbidden without express authority. Offenders are liable to the payment of damages. All rights are reserved in the event of the grant of a patent or the registration of a utility model or design.


Weitergabe sowie Vervielfältigung dieser Unterlage, Verwertung und Mitteilung ihres Inhalts nicht gestattet, soweit nicht ausdrücklich zugestanden. Zuwiderhandlungen verpflichten zu Schadenersatz. Alle Rechte für den Fall der Patentierung oder Gebrauchsmuster-Ertragung vorbehalten.



available	Part No.	Flow Rate	Colour Code Pos. 20
✓	40.2001.02300	X	red
✓	40.2002.02300	Z	light-green
✓	40.2003.02300	A	light-blue
✓	40.2004.02300	S	yellow
✓	40.2005.02300	B	dark-blue
✓	40.2006.02300	C	dark-grey
✓	40.2007.02300	D	light-grey
	40.2008.02300	G	orange
✓	40.2010.02300	T	green

1	housing f M22x1 NP	30	50.1101.50000	CW614N chrome plated
1	PL-HC-STD-IT-X - T	20	see following sheets	see Part No. 40.2001.00000 - 40.2010.00000
1	rubber washer 16,0x20,8x1,5	10	55.1211.10000	NBR
Parts	Title	Pos.	Part-No.	Material

NEOPERL GmbH		D-79379 Müllheim	
Date	Name	Page 1 of 4	
Drawn: 10.03.2005	D. OECHSLE		
Approved: 10.03.2005	H. GRETHER		
Scale: 3:1			
Format: A3			
Volume:			
Weight:			

Change No.: 500000001980	Approval of drawing change:	Rev. D
Date: 02.11.2011	Date: 08.11.2011	
Drawn: P. Mann	Approved: A. Stein	
Surface DIN EN ISO 1302	Part No.: 40.2001.02300 - 40.2010.02300	
General tolerances DIN ISO 2768-fH	Title: PL-HC-STD-f M22x1-X - T	
work pieces DIN ISO 13715	Material:  flow, stop and go®	
Replacement for: Origin: ..		