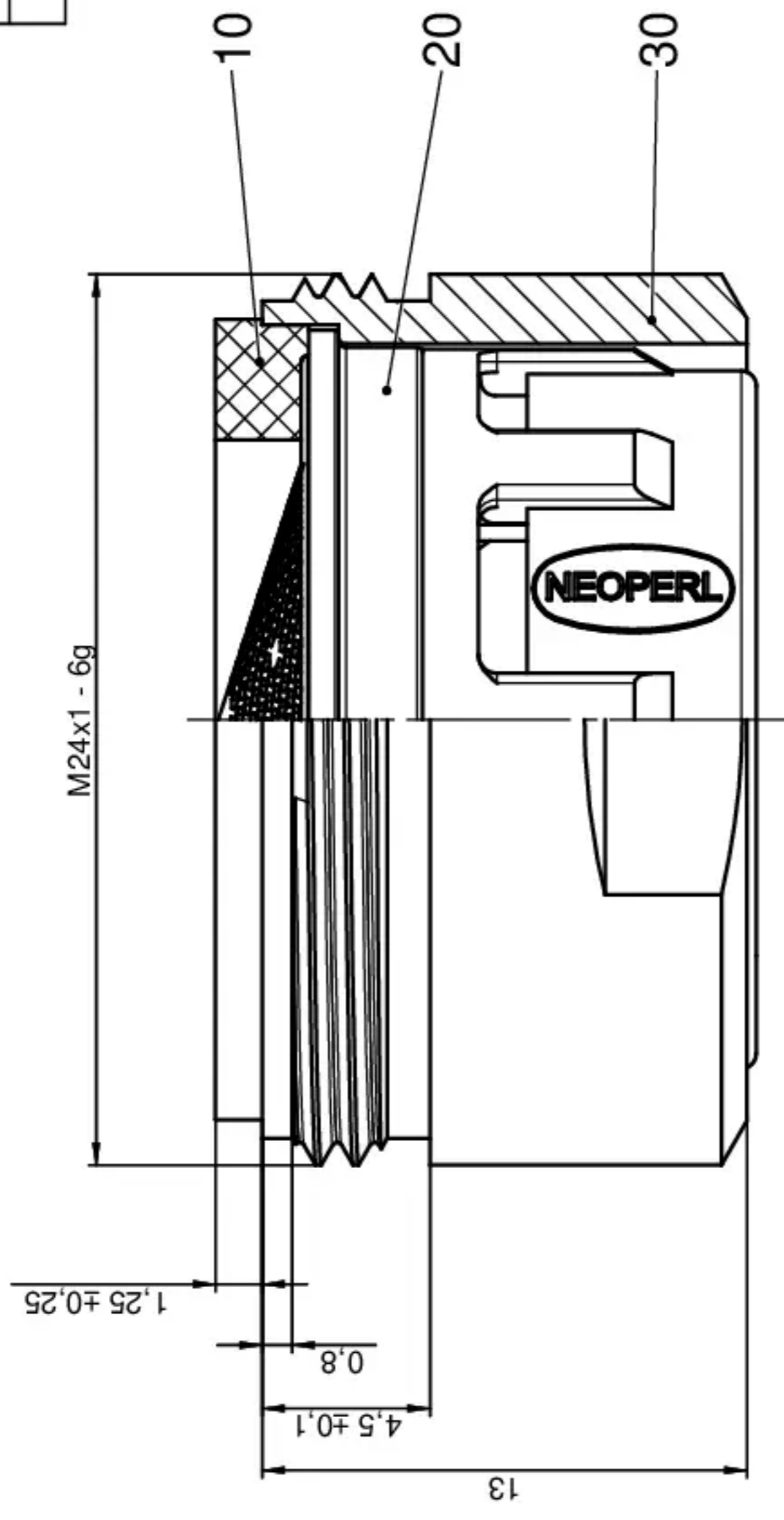


Copyright of this document, and giving it to others and the use or communication of the contents thereof, are forbidden without express authority. Offenders are liable to the payment of damages. All rights are reserved in the event of the grant of a patent or the registration of a utility model or design.

Weitergabe sowie Vervielfältigung dieser Unterlage, Verwertung und Mitteilung ihres Inhalts nicht gestattet, soweit nicht ausdrücklich zugestanden. Zuwiderhandlungen verpflichten zu Schadenersatz. Alle Rechte für den Fall der Patentierung oder Gebrauchsmuster-Ertragung vorbehalten.



5:1

available	Part No.	Flow Rate	Colour Code Dome Screen
✓	40.1001.03300	X	red
✓	40.1002.03300	Z	light-green
✓	40.1003.03300	A	light-blue
✓	40.1004.03300	S	yellow
✓	40.1005.03300	B	dark-blue
✓	40.1006.03300	C	dark-grey
✓	40.1007.03300	D	light-grey
	40.1008.03300	G	orange

NEOPERL GmbH D-79379 Müllheim		Change No.: 500000002169 Date: 20.03.2012 Drawn: P. Mann		Approval of drawing change: Date: 22.03.2012 Approv.: A. Stein		Rev. C	
Date	Name	Surface DIN EN ISO 1302		Part No.: 40.1001.03300 - 40.1008.03300		Title: CC-STD-m M24x1-X - G	
Drawn:	17.03.2005 D. OECHSLE	General tolerances DIN ISO 2768-FH		Material:		Material Description / Tradename: Colour:	
Approv.:	18.03.2005 H. GRETHER	work pieces DIN ISO 13715		Replacement for: 40.1001.033-40.1008.033 REV.B		Origin:	
Scale:	3:1	NEOPERL® flow, stop and go®					
Format:	A3	Page 1 of 3					
Volume:							
Weight:							
1	housing m M24x1	50.1111.50000	CW614N chrome plated				
1	CC-STD-IT-X-G	see following sheets	see Part No. 40.1001.000 - 40.1008.000				
1	rubber washer 15,0x21,3x2,8	55.1223.10000	NBR				
Parts	Title	Pos.	Part-No.	Material			