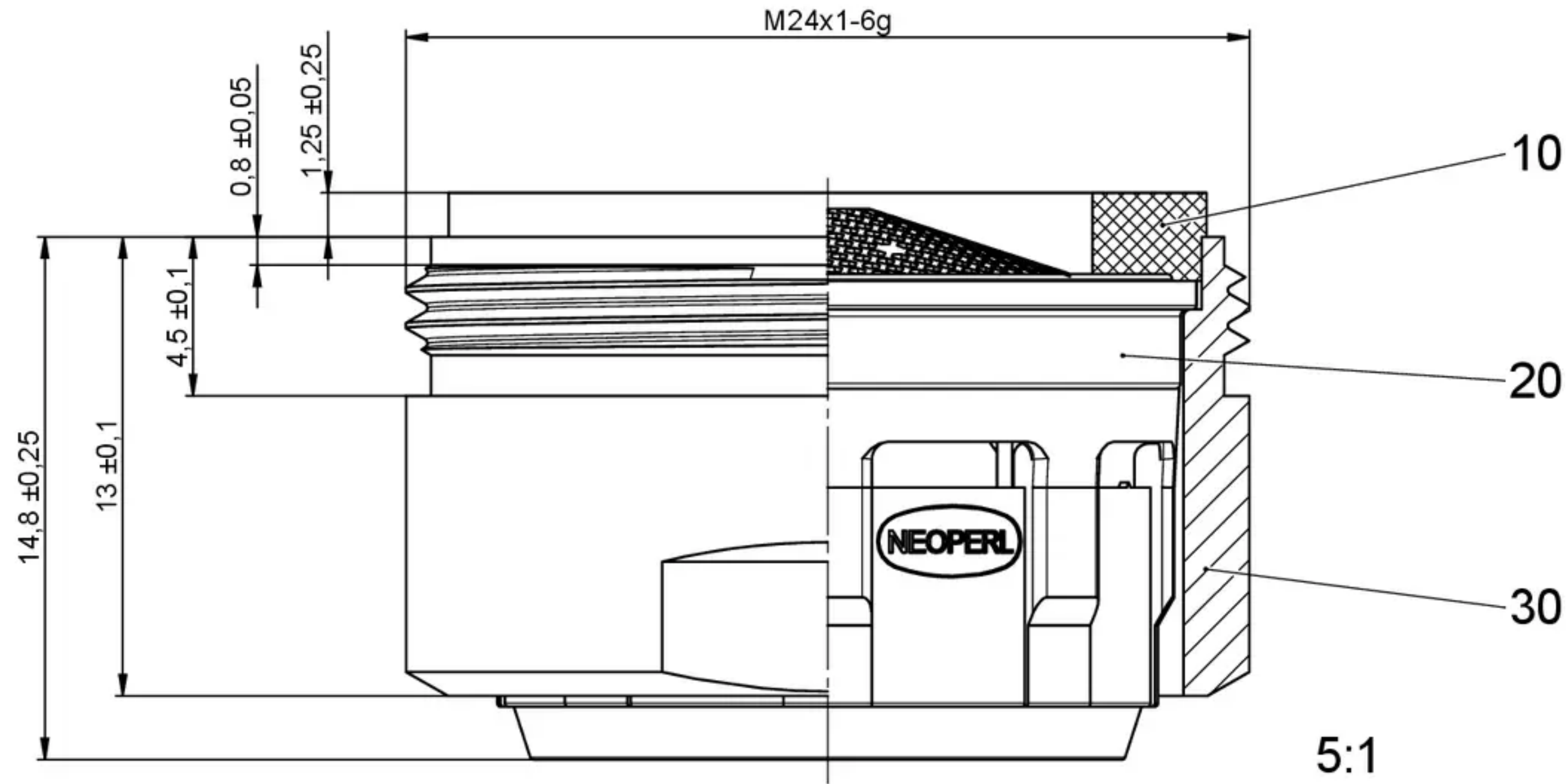



Weitergabe sowie Vervielfältigung dieser Unterlage, Verwertung und Mitteilung ihres Inhalts nicht gestattet, soweit nicht ausdrücklich zugestanden. Zuwiderhandlungen verpflichten zu Schadensersatz. Alle Rechte für den Fall der Patenterteilung oder Gebrauchsmuster-Eintragung vorbehalten.

Copying of this document, and giving it to others and the use or communication of the contents thereof, are forbidden without express authority. Offenders are liable to the payment of damages. All rights are reserved in the event of the grant of a patent or the registration of a utility model or design.

Part No.	Flow Rate	Colour Code
40.0002.03C00	Z	light-green
40.0003.03C00	A	light-blue
40.0005.03C00	B	dark blue



NEOPERL GmbH D-79379 Müllheim		Change No.: 500000006877 Date: 08.10.2020 Drawn: R. Weis	Approval of drawing change: Date: 13.10.2020 Approv.: A. Stein	Rev. B
Date		Name	Part No.: 40.0002.03C00 - 40.0005.03C00	
Drawn:	08.10.2020	R. WEIS	General tolerances DIN ISO 2768-fH	
Approv.:	13.10.2020	A. STEIN	work pieces DIN ISO 13715	
Scale: 3:1		Title: CC-SLC-STD-m M24x1-C		
Format: A3	Page 1 of 2		Material: Material Description / Tradename: Colour:	
Volume:	 flow, stop and go®			
Weight:				
Replacement for: 40000303C00-40000503C00 REV.A (T)		Origin:		

Qty.	Title	Pos.	Part-No.	Material
1	housing m M24x1	30	50.1111.50000	CW614N chrome plated
1	CC-SLC-STD-IT-C-A-D	20	see following sheet	see Part No. 40.0002.00800 - 40.0007.00800
1	washer 15,0x21,3x2,8	10	55.1223.10000	NBR