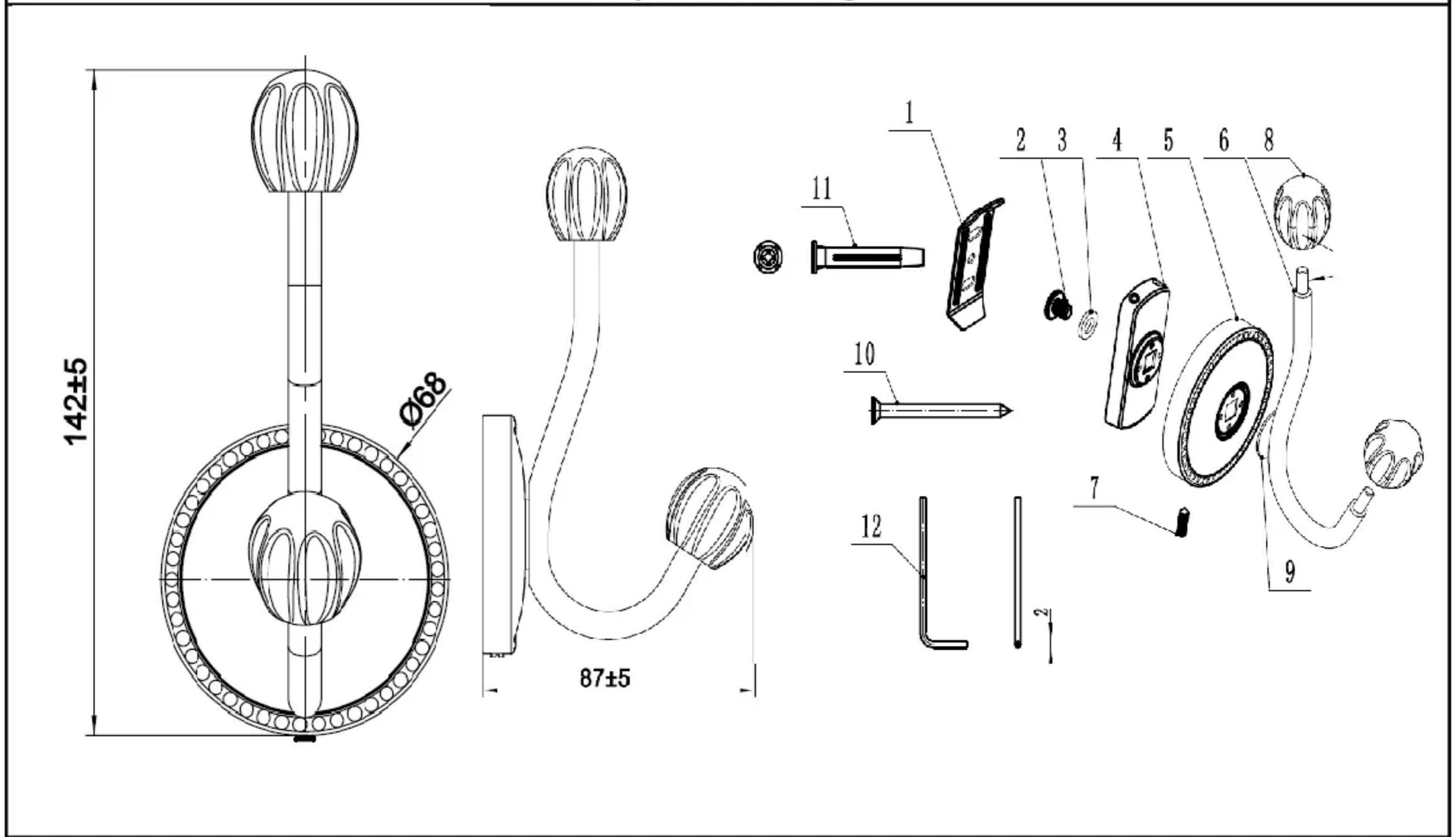


BOM List for Products

ADEO Ref	845071
EAN Code	3276000547365

Explosion Drawing



Parts No.	Quantity	Spec	Material & Surface process
1	1	/	Steel with zinc
2	1	/	Steel with zinc
3	1	/	Steel with zinc
4	1	/	Steel with zinc
5	1	/	Steel with chrome
6	1	/	Steel with chrome
7	1	M4*12	SS201
8	2	/	ceram
9	1	/	Steel with chrome
10	2	/	SS
11	2	Ø6x40	plastic
12	1	/	Steel