

Product identification

Adeo Ref	838366		
Product EAN	3276000707035		
Supplier ref	HY-D10-3		

Template version history

Version	Status	Date Status	Comments
V.0	Under construction	20/08/2018	Template construction

Object

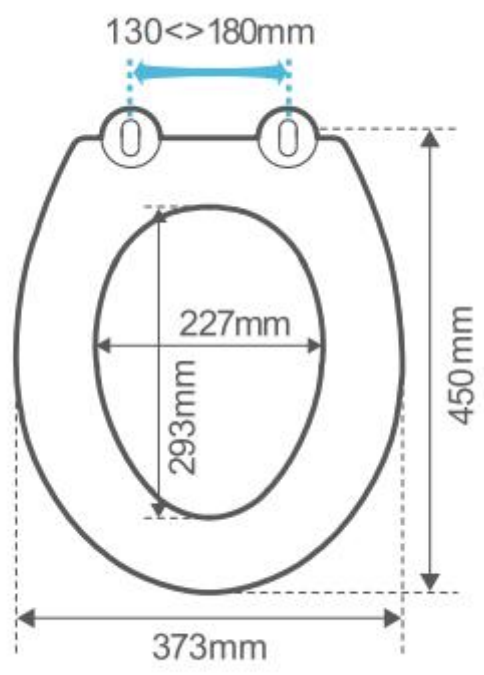
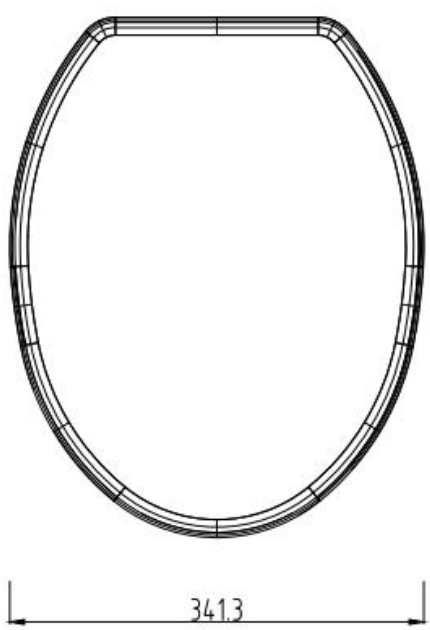
Technical data sheet of products

Technical data

Name product	Purity	Contain battery	no
Power in Watt	N/A	Weight of the battery (gram)	N/A
Nett Weight in gram (without batteries, without packaging)	3.6kgs(±5%)	Type of battery (Li-ion / Alkalin, ...)	N/A
Size of product: Lxlxh in centimetre	37.3*46.8*5.6		
Accessories included: detailed it	Hinge,buffer,fittings		
Weight packaging	0.25kgs		
Size packaging	37.5*6*47.8cm		

Remark: The main technical features could be adjusted by supplier based on different kinds of products.

Photo



Tolerance: > 10-100; ±1mm

> 100-400; ±3mm