

**Product identification**

|              |               |  |  |
|--------------|---------------|--|--|
| Adeo Ref     | 839776        |  |  |
| Product EAN  | 3276000701354 |  |  |
| Supplier ref | HY-D56-1      |  |  |
|              |               |  |  |

**Template version history**

| Version | Status             | Date Status | Comments              |
|---------|--------------------|-------------|-----------------------|
| V.0     | Under construction | 20/08/2018  | Template construction |
|         |                    |             |                       |
|         |                    |             |                       |

**Object**

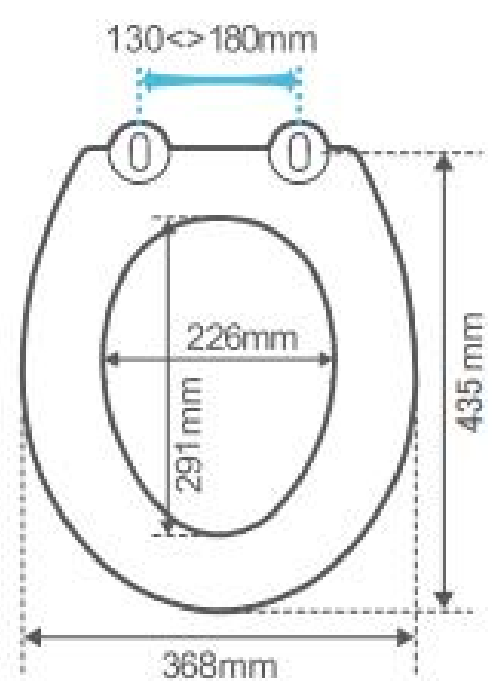
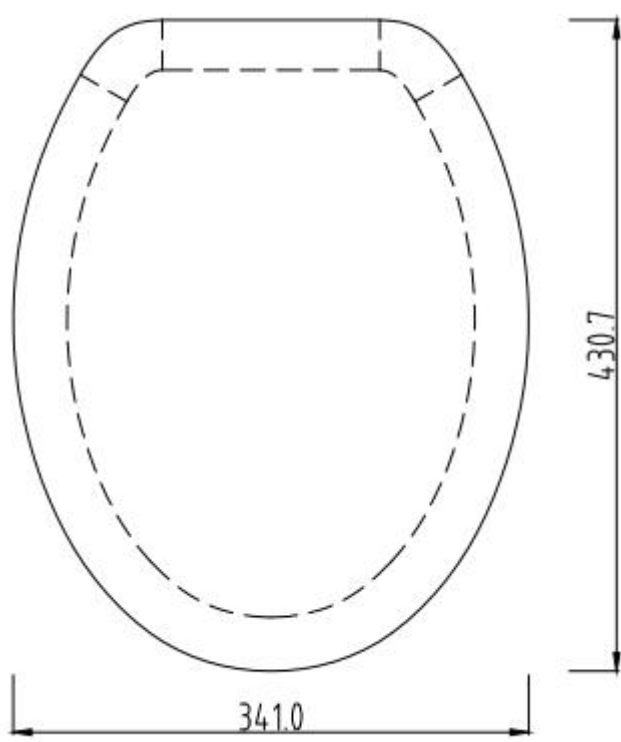
Technical data sheet of products

**Technical data**

|  |                       |   |     |
|--|-----------------------|---|-----|
| Name product   | POP                   | Contain battery                         | no  |
| Power in Watt  | N/A                   | Weight of the battery (gram)            | N/A |
| Nett Weight in gram (without batteries, without packaging) | 3.4kgs(±5%)           | Type of battery (Li-ion / Alkalin, ...) | N/A |
| Size of product: Lxlxh in centimetre                       | 36.8*5.5*45cm         |   |     |
| Accessories included: detailed it                          | Hinge,buffer,fittings |   |     |
| Weight packaging   | 0.25kgs               |   |     |
| Size packaging   | 37.3*6*45.5cm         |   |     |
|  |                       |   |     |

Remark: The main technical features could be adjusted by supplier based on different kinds of products.

**Photo**



Tolerance: > 10-100; ±1mm

> 100-400; ±3mm