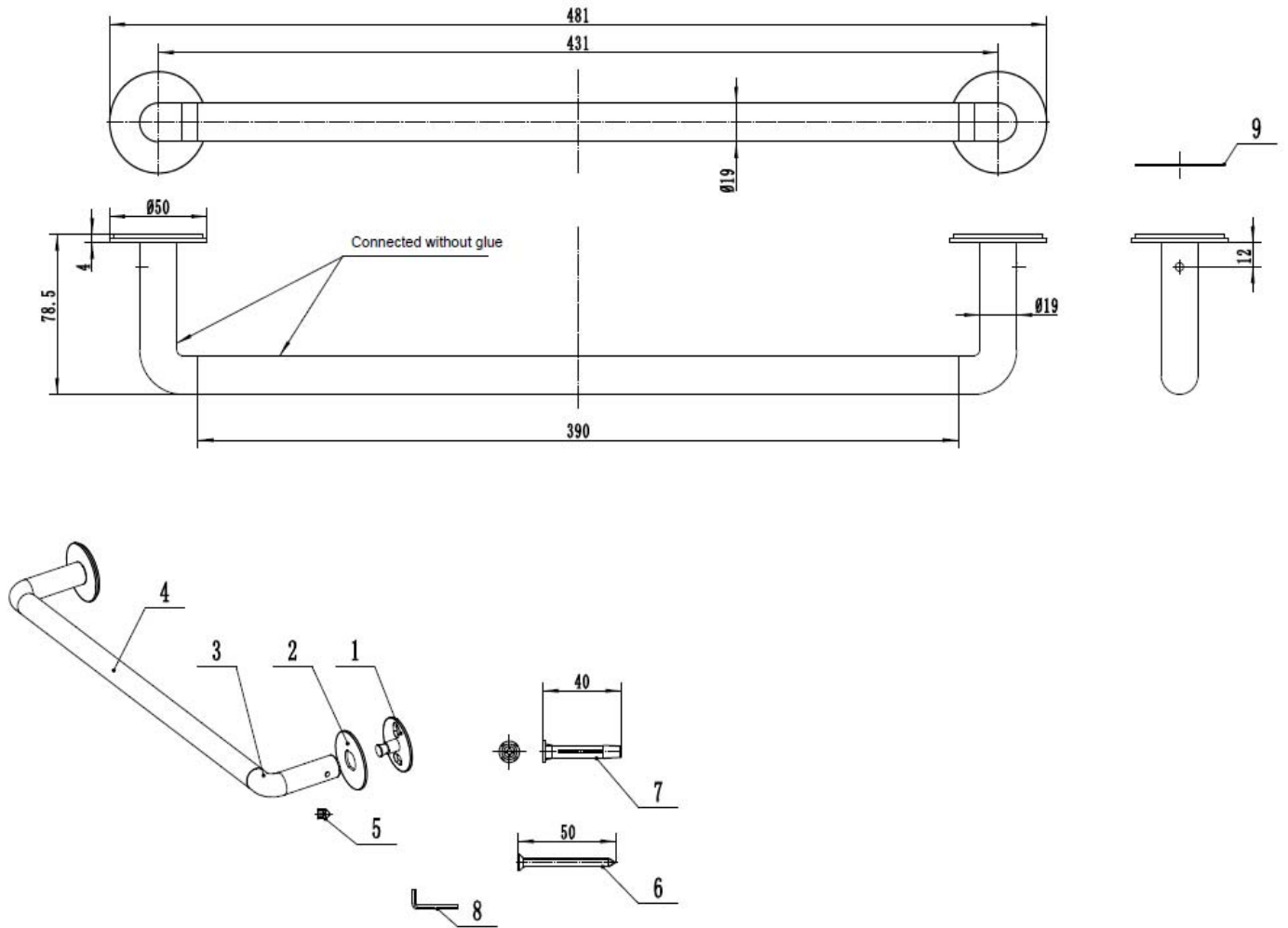


# BOM List for Products

<b>ADEO Ref</b>	<b>845086</b>
<b>EAN Code</b>	<b>3276000547211</b>

## Explosion Drawing

单位: mm



Parts No.	Quantity	Spec	Material & Surface process
1	2	/	Aluminum alloy
2	2	/	steel+powder coating
3	2	/	Aluminum alloy+powder coating
4	1	/	Wood
5	2	<b>M5*6MM</b>	SS
6	4	<b>ST4*50mm</b>	SS
7	4	<b><math>\phi 6*40</math>mm</b>	Plastic
8	1	/	steel+nickel
9	1	/	3M sticker