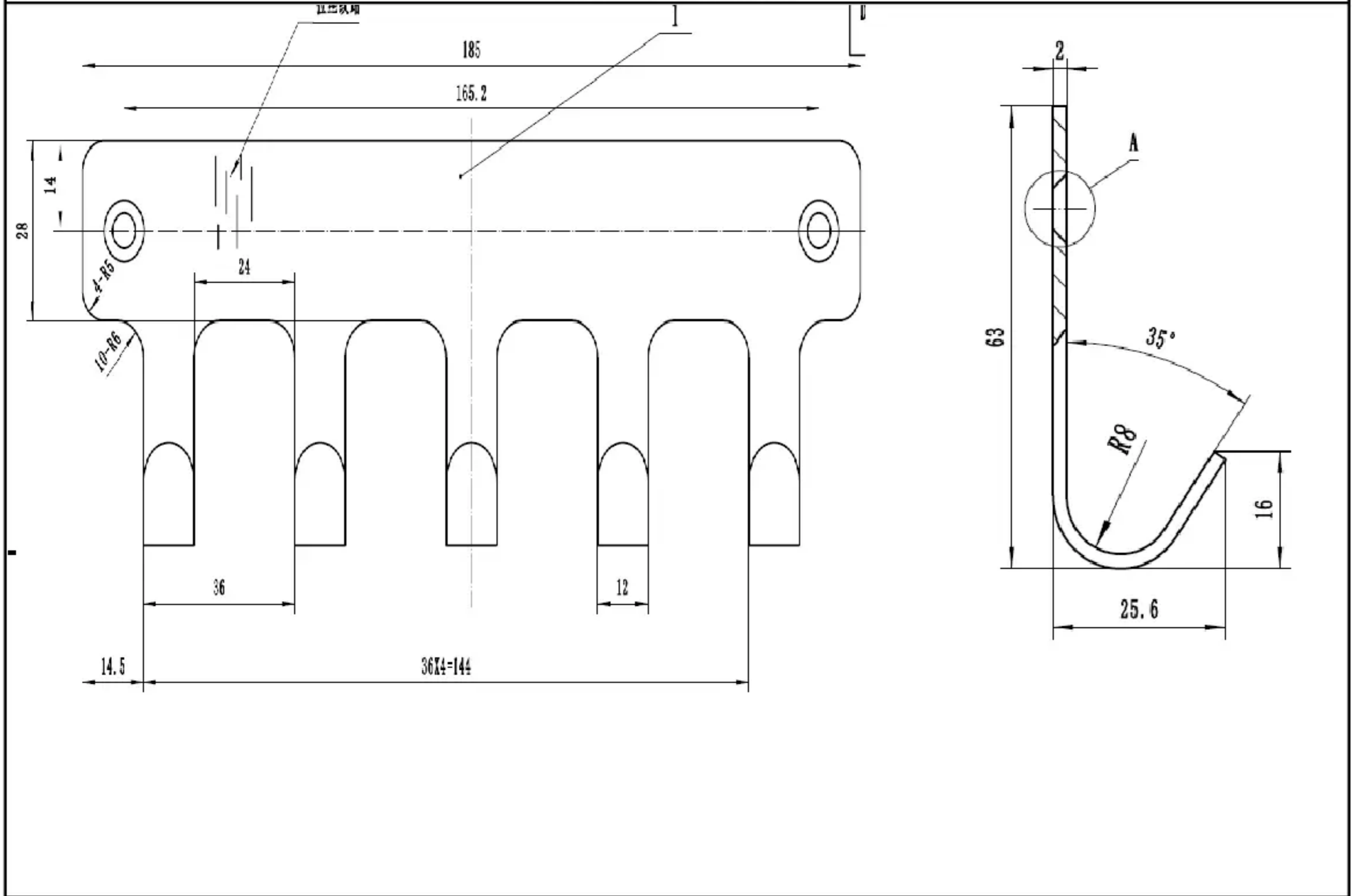


# BOM List for Products

ADEO Ref	845068
EAN Code	3276000547419

## Explosion Drawing



Parts No.	Quantity	Spec	Material & Surface process
1	1	/	SS201 brushed