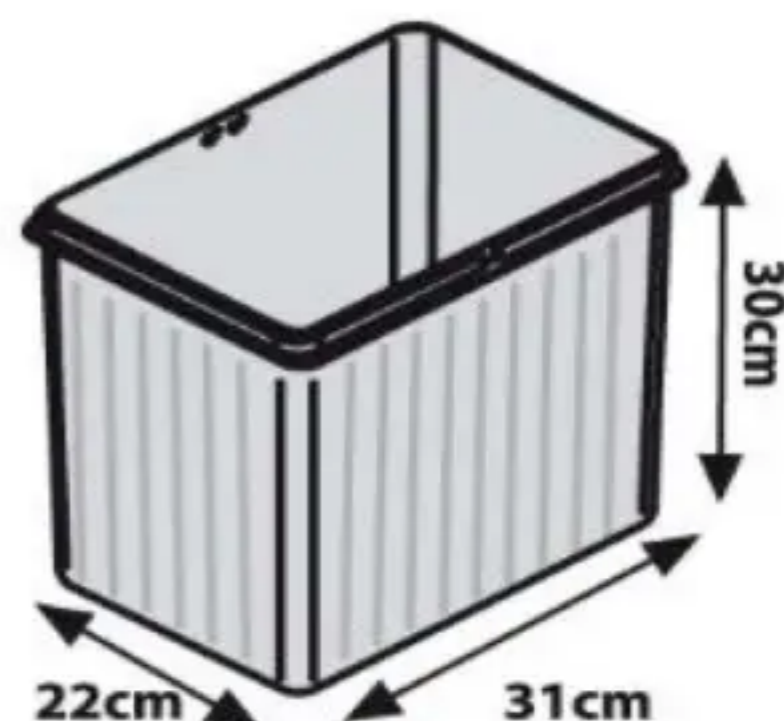
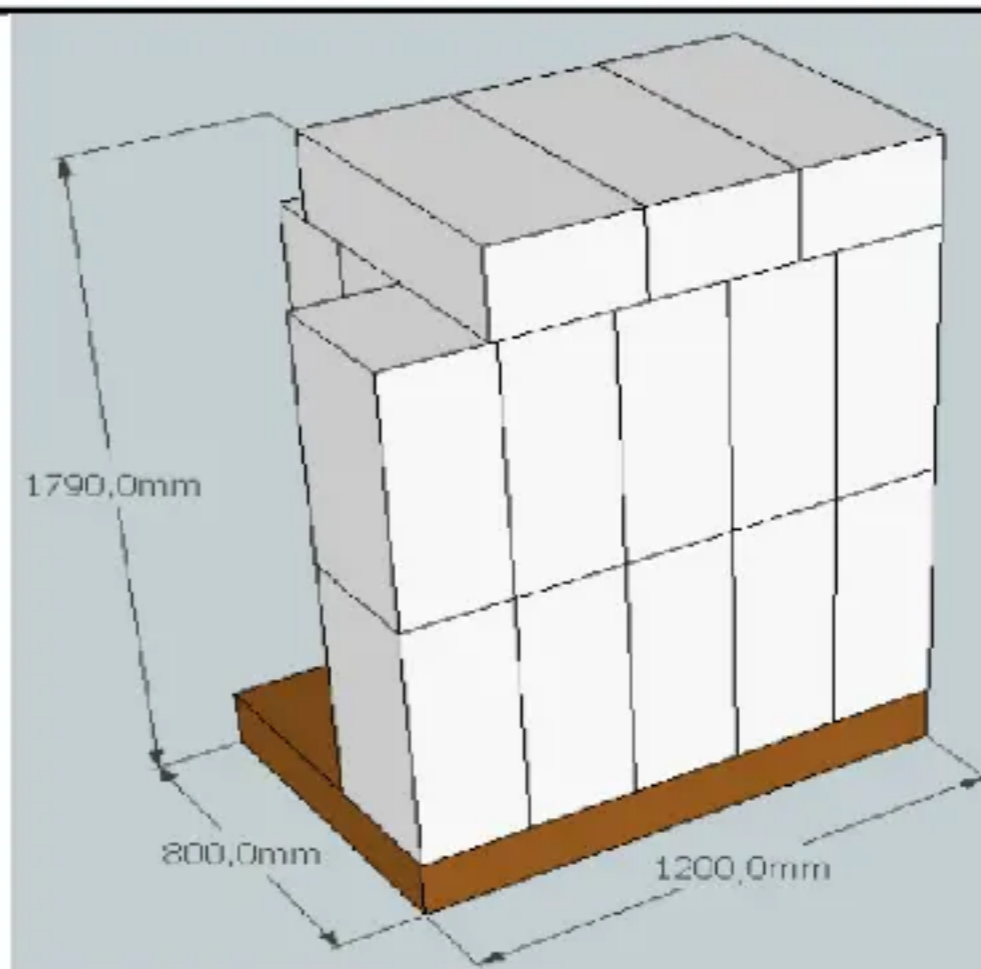


SPECIFICATION	
DESCRIPTION	Bin 18L + HANDLES DARK GREY
RUNNER TYPE	N/A
BIN LITRE CAPACITY	16,3 l
OVERALL VOLUME	20,4 l
MEASURE FOR THE TOP SECTION (inner)	297x205 mm (293,4x201,4mm)
MEASURE FOR THE BOTTOM SECTION(inner)	285,6x193,20mm (282x189,6mm)
HEIGHT (inner)	295mm (290mm)
SOFT CLOSE	N/A
MAX LOADING PER BASKET	N/A
APPROVALS & CERTIFICATION	N/A
PACK SIZE	325x240x695 mm
PACK VOLUME m ³	0,05421
NETT WEIGHT kg	0,565
GROSS WEIGHT kg +/-5%	3,272
SUPPLIER	
SUPPLIER CODE	6SECMAG2230LM
BAR CODE	N/A
COMMODITY CODE	N/A
COUNTRY OF ORIGIN	ITALY
FSC or PEFC CERTIFICATION	N/A
IP/DESIGN PROTECTION	N/A



PACK CONTENTS						
DESCRIPTION	QTY	SIZE	MATERIAL	FINISH / COLOUR	DRG No.	MOD
BIN 230	5	310x222x295	POLYPROPYLENE	ANTHRACITE GREY		
CARTON	1	SCAAVSEC230 325x240x695 mm	CARDBOARD	AVANA		

PACKAGING	
PALLETIZATION	
PLT SIZE	1200 x 800 x 1790
PLT QTY	125
LOADED SIZE	1200 x 800 x 1630
LOADED WEIGHT	103,8 kg
WEIGHTS PER PCS (Kg)	
PAPER	0,089
PLASTIC	0,565
WOOD	0,000
METAL	0,000
GLASS	0,000
OTHER	0,000
TRANSIT WEIGHTS PER PCS (Kg)	
PAPER	0,089
PLASTIC	0,565
WOOD	0,176
METAL	0,000
GLASS	0,000
OTHER	0,000



MODIFICATIONS			DATE	BY
V	CHANGE			
1	First Issue		26/08/2021	S.Mosconi
2	Add volume and measure		08/11/2021	C.Olivieri

Gollinucci S.r.l. a Socio Unico
 Via D. Rondani, 250
 47522 CESENA (FC) Italia
 Tel. +39 0547 318 234
 Email: info@gollinucci.com
 C.F. e P. IVA 02 439 640 406