

Product identification

Adeo Ref	839825		
Product EAN	3276000701187		
Supplier ref	B6135		

Template version history

Version	Status	Date Status	Comments
V.0	Under construction	20/08/2018	Template construction

Object

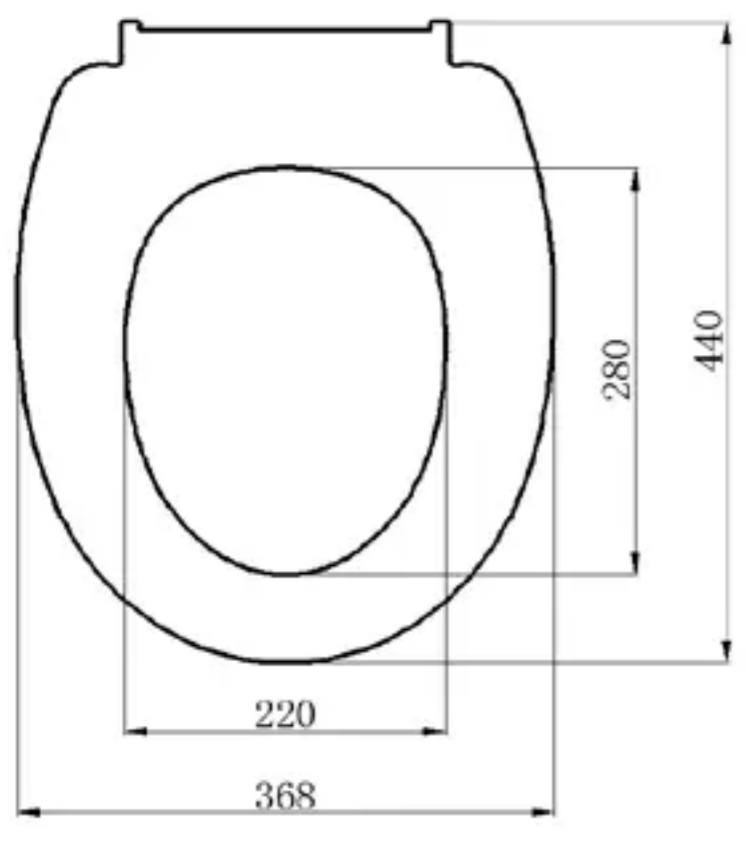
Technical data sheet of products

Technical data

Name product	TOILET SEATS NEO WHITE SLIM OVAL SENSEA	Tolerance	10-100: ± 2 mm 100-400: ± 3 mm
Material	Mould UF	Measurement unit	mm
Material of the hinge	Stainless Steel		
Thickness of ring	8mm	Thickness of cover	6mm

Photo

Ring



Cover

