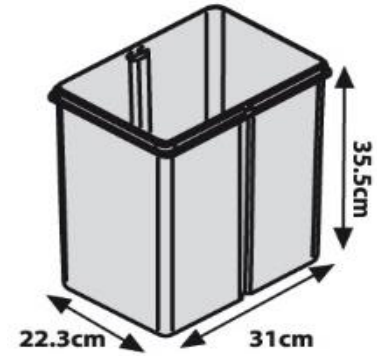


GOLLINUCCI

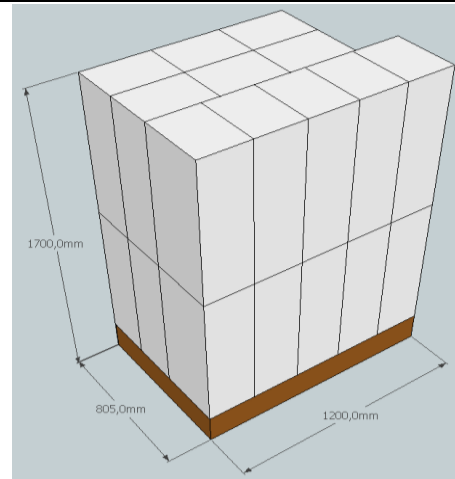
SPEC SHEET: KITCHEN ACCESSORIES

SPECIFICATION	
DESCRIPTION	BUCKET + HANDLES DARK GREY
RUNNER TYPE	N/A
BIN LITRE CAPACITY	19,5 L
OVERALL VOLUME	24,5 L
MEASURE FOR THE TOP SECTION (inner) ±5mm	297x205 mm (293,4x201,4mm)
MEASURE FOR THE BOTTOM SECTION(inner) ±5mm	285,6x192,0mm (282,0x188,4mm)
HEIGHT (inner) ±5mm	355mm (min.347mm)
SOFT CLOSE	N/A
MAX LOADING PER BASKET	8 kg
APPROVALS & CERTIFICATION	N/A
PACK SIZE ±10mm	325x240x770mm
PACK VOLUME m ³	0,060
NETT WEIGHT +/-10%	0,671
GROSS WEIGHT +/-10%	3,910
SUPPLIER	
SUPPLIER CODE	6SECMAG2223LM
BAR CODE	N/A
COMMODITY CODE	N/A
COUNTRY OF ORIGIN	ITALY
FSC or PEFC CERTIFICATION	N/A
IP/DESIGN PROTECTION	N/A



PACK CONTENTS						
DESCRIPTION	QTY	SIZE	MATERIAL	FINISH / COLOUR	DRG No.	MOD
BINS	5	310x223x355 ±5mm	POLYPROPYLENE	DARK GREY		
CARTON	1	325x240x770 ±10mm	CARDBOARD	AVANA		

PACKAGING	
PALLETIZATION	
PLT SIZE	1200 x 805 x 1700
PLT QTY	110
LOADED SIZE	1200 x 805 x 1540
LOADED WEIGHT	107,91 kg ±10%
WEIGHTS PER PCS (Kg) ±10%	
PAPER	0,111
PLASTIC	0,671
WOOD	0,000
METAL	0,000
GLASS	0,000
OTHER	0,000
TRANSIT WEIGHTS PER PCS (Kg) ±10%	
PAPER	0,111
PLASTIC	0,671
WOOD	0,200
METAL	0,000
GLASS	0,000
OTHER	0,000



MODIFICATIONS			DATE	BY
V	CHANGE			
1	First Issue		26/08/2021	S.Mosconi
2	Add volume and measure		08/11/2021	C.Olivieri
3	Changed color description and add tollerances		25/01/2022	C.Olivieri

Gollinucci S.r.l. a Socio Unico
Via D. Rondani, 250
47522 CESENA (FC) (RN)
Tel. +39 0547 318 234
Email: info@gollinucci.com
C.F. e P. IVA 02 439 640 406