
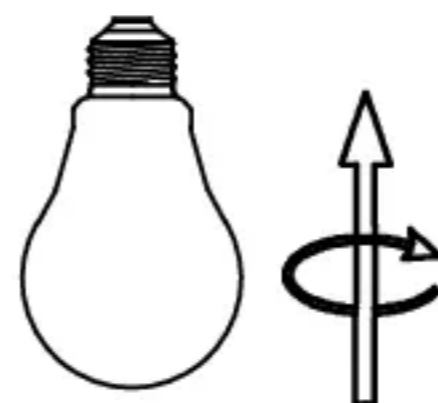
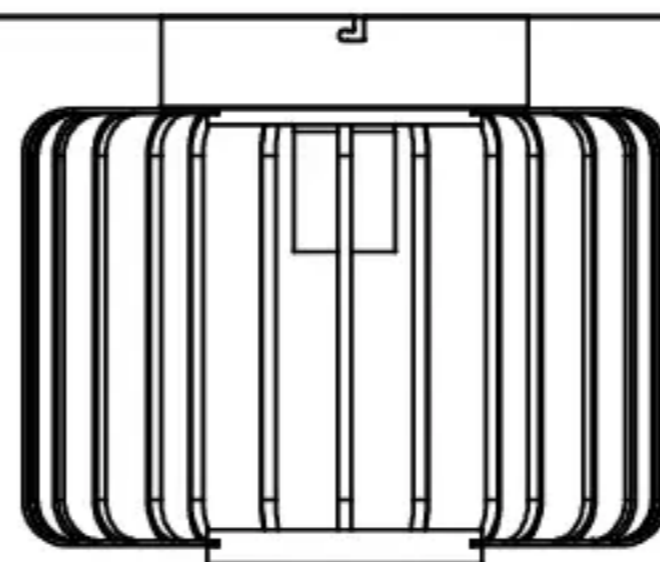
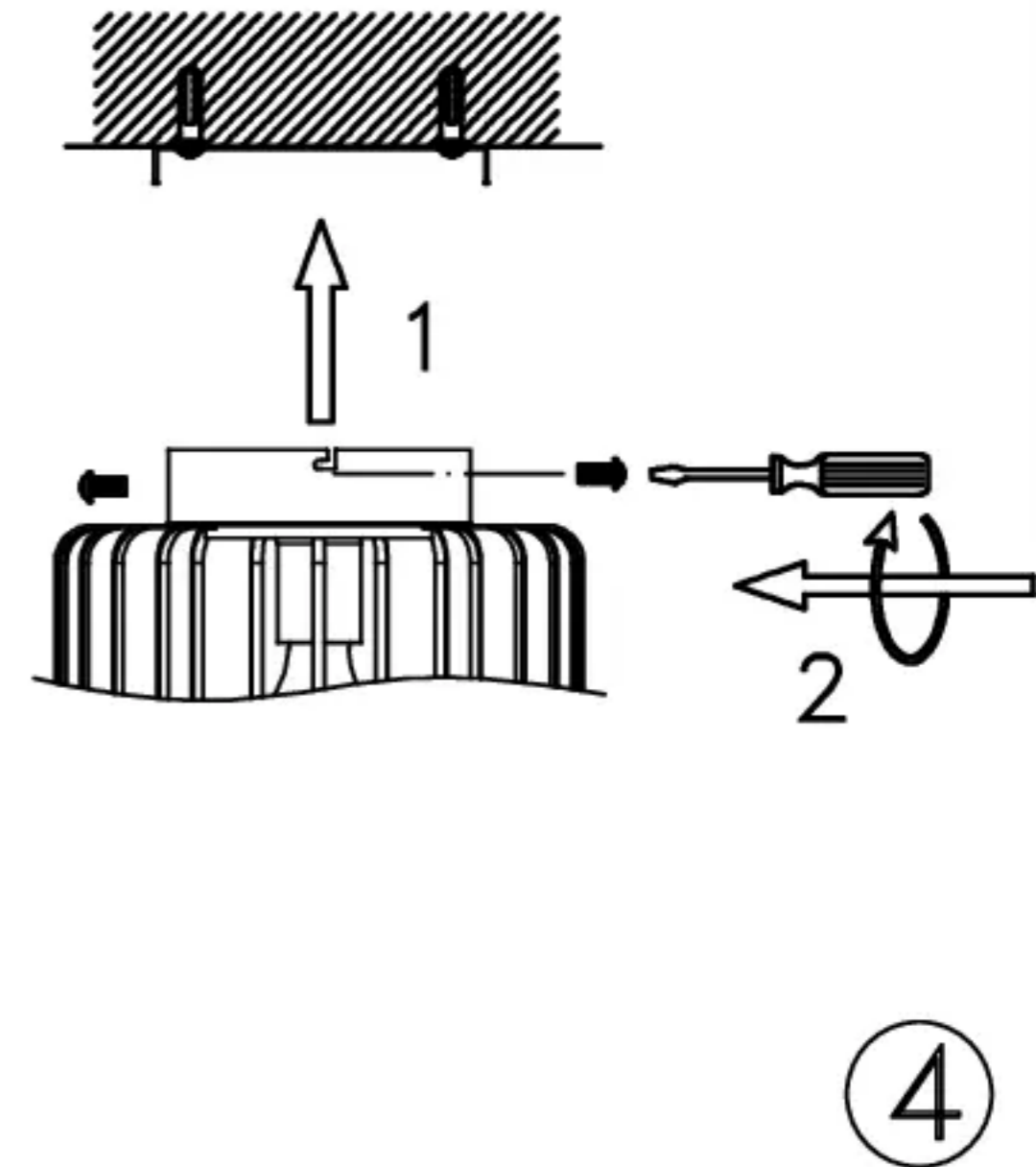
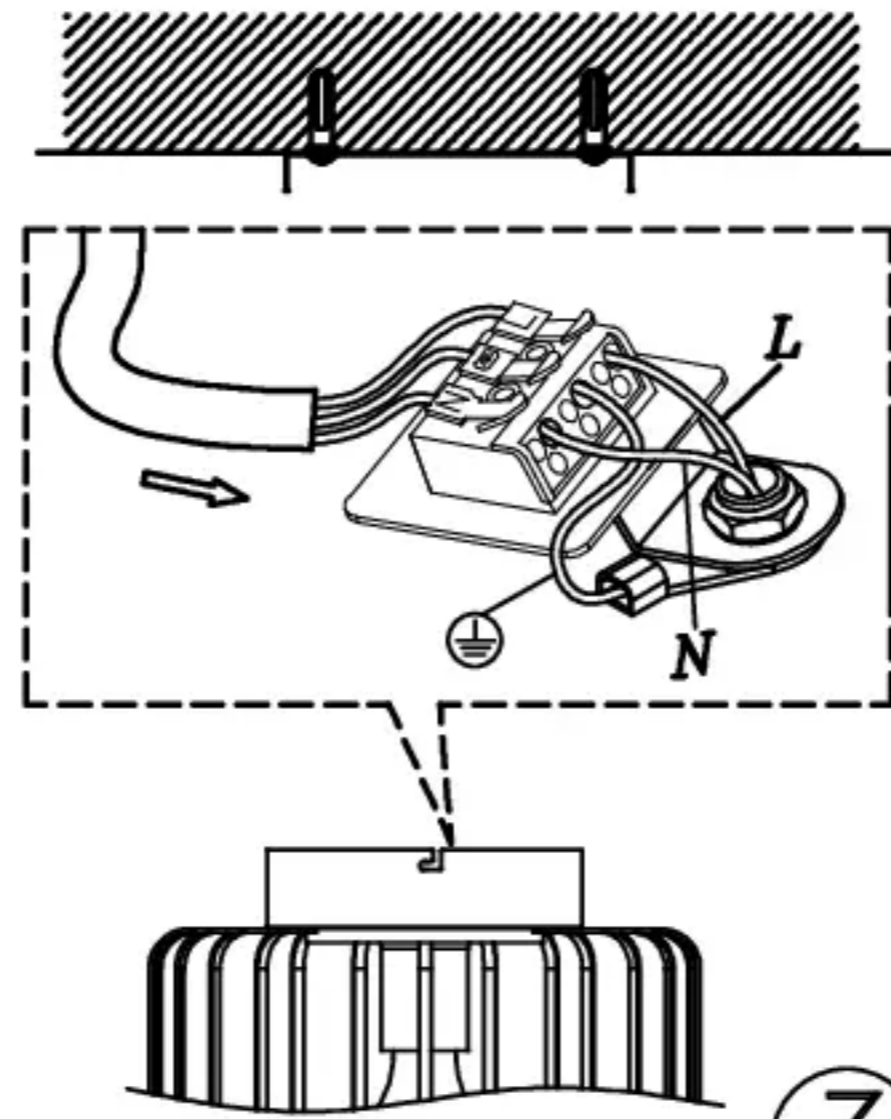
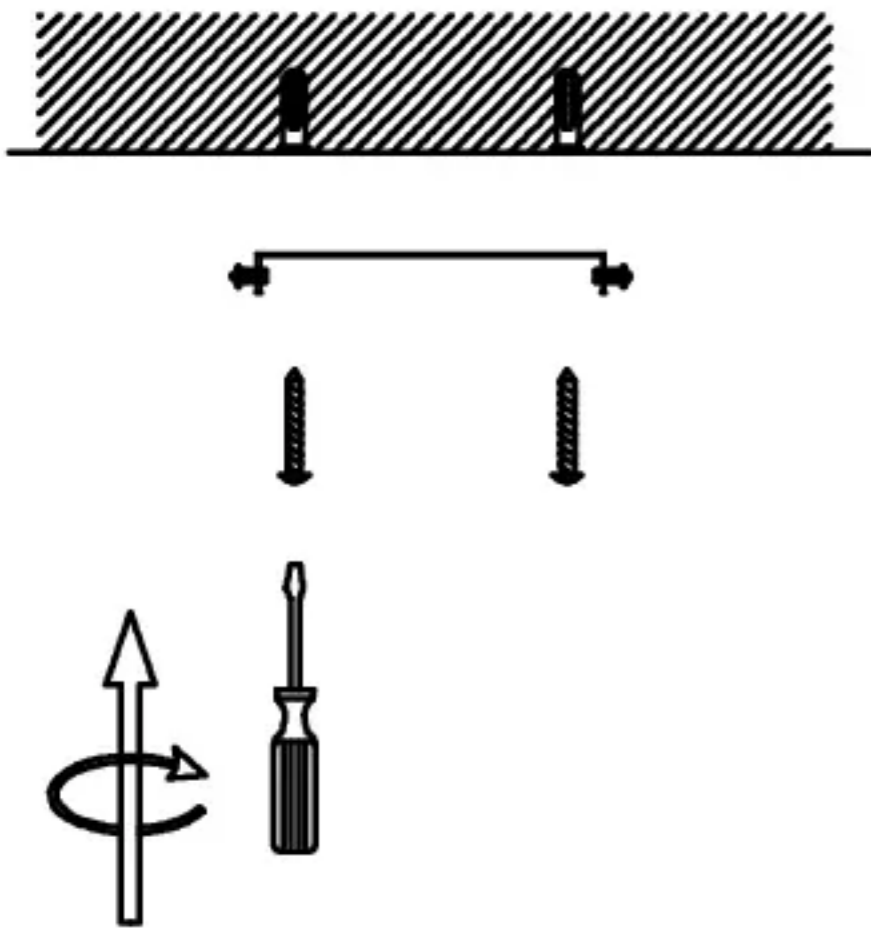
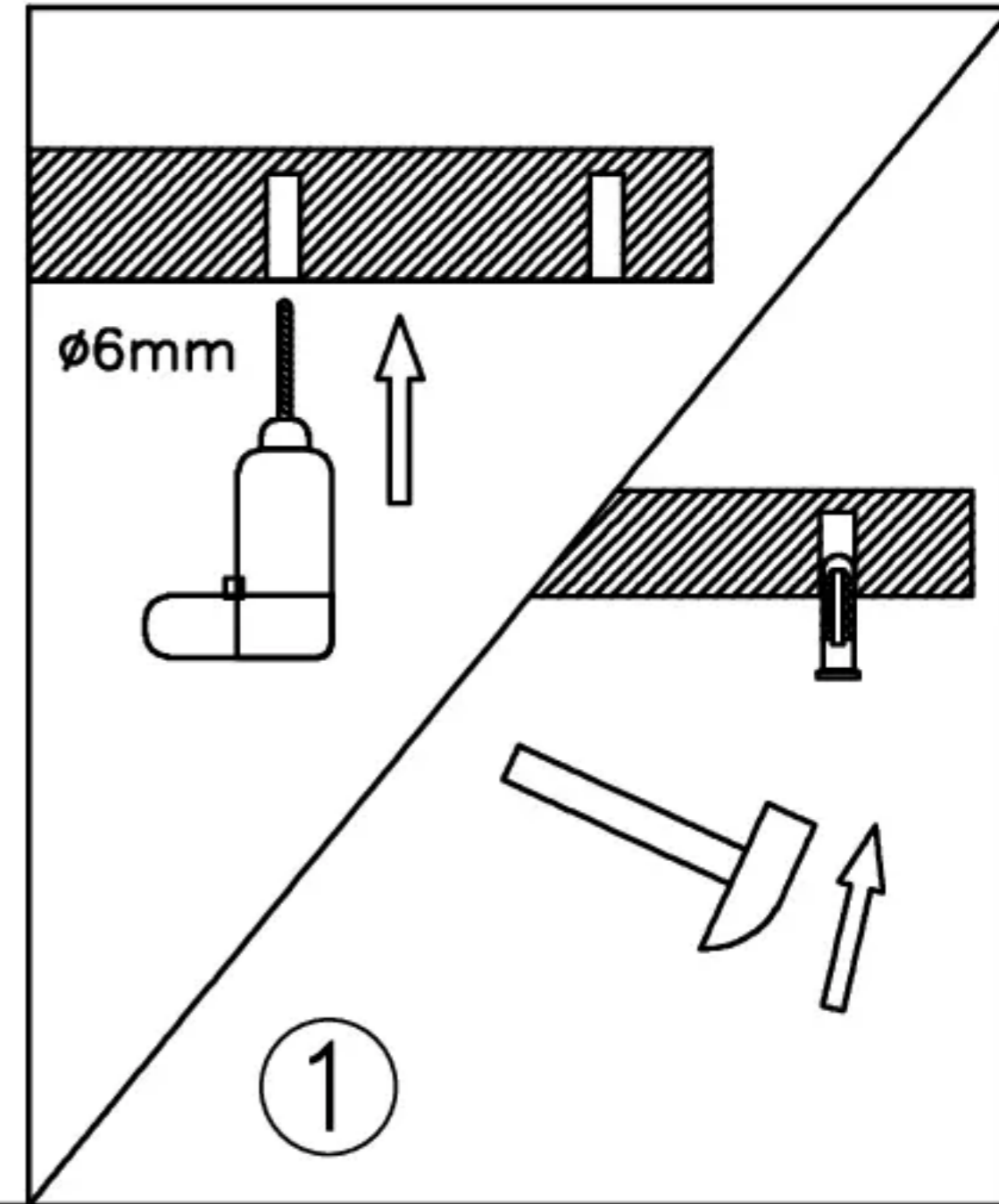
 X 2

 X 2



5