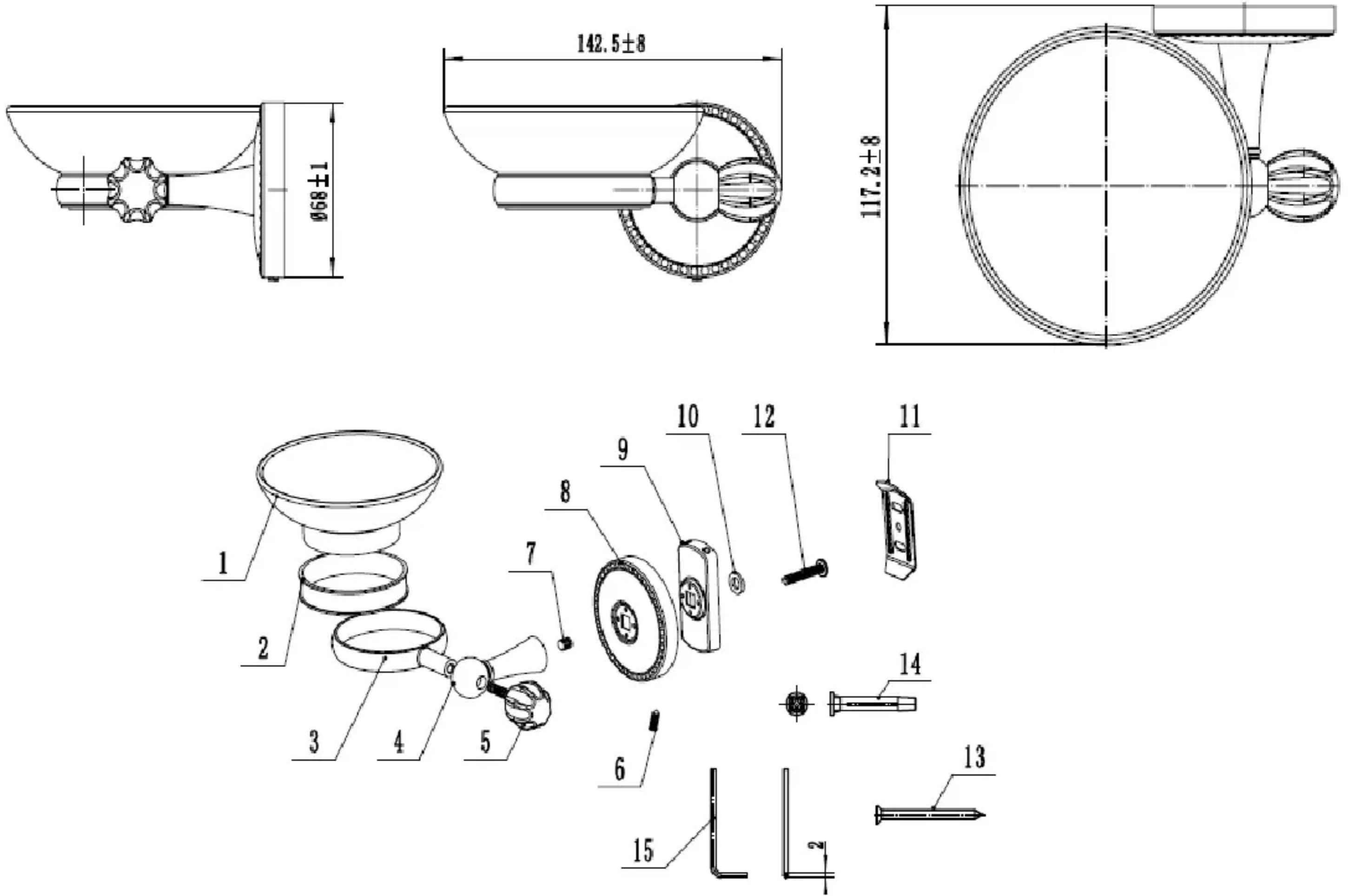


BOM List for Products

ADEO Ref	845038
EAN Code	3276000547709

Explosion Drawing



Parts No.	Quantity	Spec	Material & Surface process
1	1	/	ceram
2	1	/	PE
3	1	/	zinc alloy with chrome
4	1	/	zinc alloy
5	1	/	Steel + Ceram
6	1	M4X12	SS201
7	1	M6X8	SS201
8	1	/	Steel
9	1	/	Steel
10	1	/	Steel
11	1	/	Steel
12	1	M6X8	Steel
13	2	4.0*50	SS
14	2	Ø6x40	plastic
15	3	/	Steel