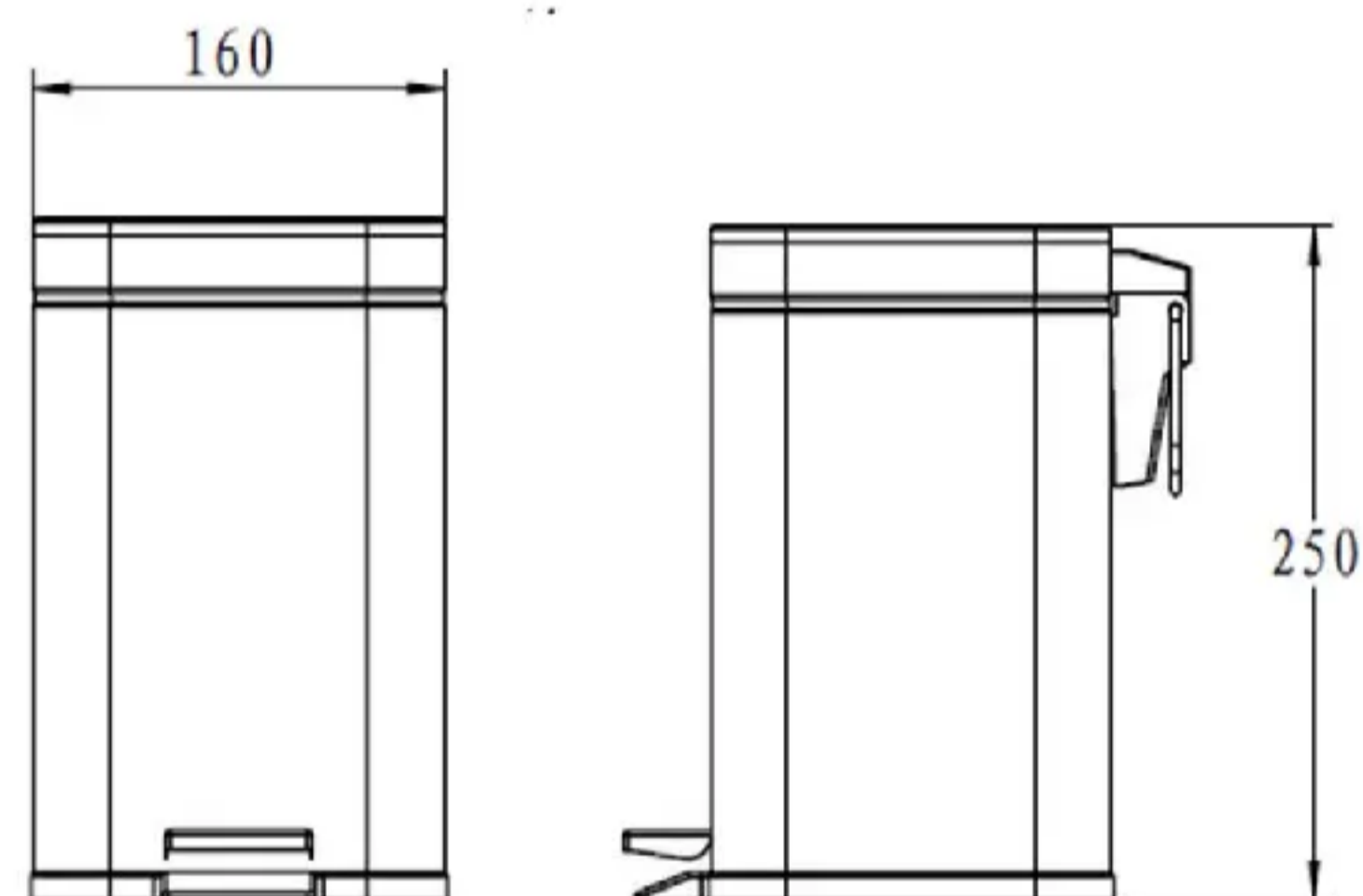
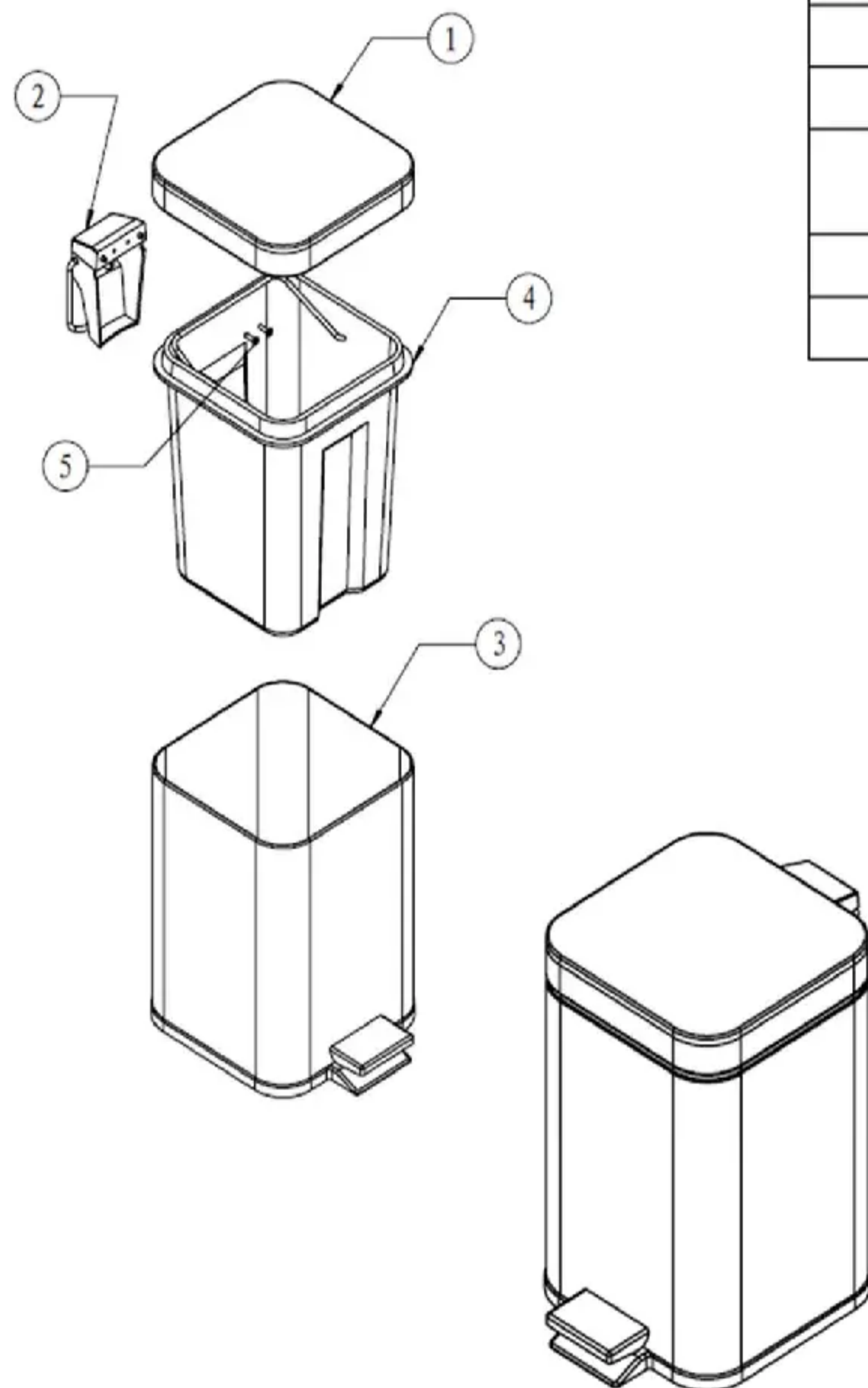


PLS ASK FOR ANY DOUBT. ANYONE SHOULD BE RESPONSIBLE FOR CONSEQUENCES FOR REVISING IT WITHOUT ANHO'S APPROVAL.

DIMENSIONS ARE IN mm

Parts No.	Quantity	Spec	Material & Surface process
1	1	16x16x3 cm	rubber wood, vanished
2	1	5.5x2.6x8.3 cm	PP: black; steel: chrome plated
3	1	16x16x22 cm	steel: powder coated in white & chromed plated; PP: black
4	1	15.5x15.5x19.5	PP: black; steel: chrome plated
5	2	M4	stainless steel 304#, nickle plated



ANHO HOUSEWARE THE INFORMATION CONTAINED IN THIS DRAWING IS THE SOLE PROPERTY OF ANHO HOUSEWARE CO., LTD. JIANGMEN. ANY REPRODUCTION IN PART OR AS A WHOLE WITHOUT THE WRITTEN PERMISSION OF ANHO HOUSEWARE CO., LTD. JIANGMEN IS PROHIBITED. TOLERANCES: +/-5mm	DESIGN	NAME	DATE	HIE-0604-方形垃圾桶-GA-13796
	DRAWN	卢锦富	2018/12/12	Ref.: 839944
	CHK'D			EAN: 3276000699903
	APPV'D			SCALE: 1:10 SHEET SIZE: A4
	THIRD ANGLE PROJECTION			SHEET 1 OF 1 REV: 1.1