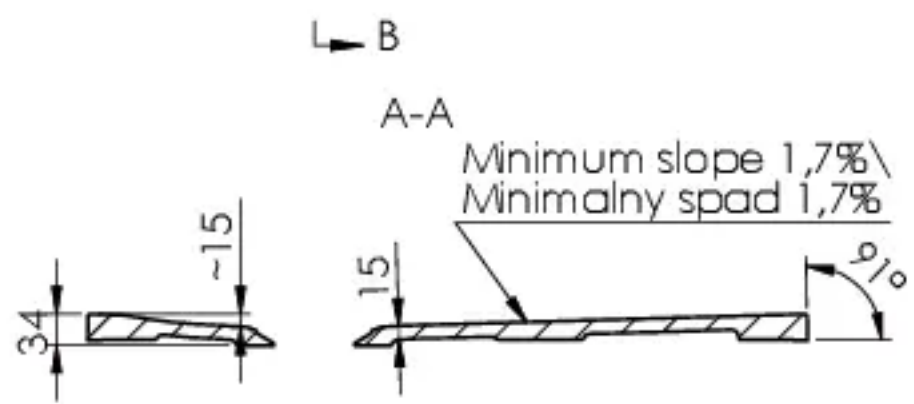
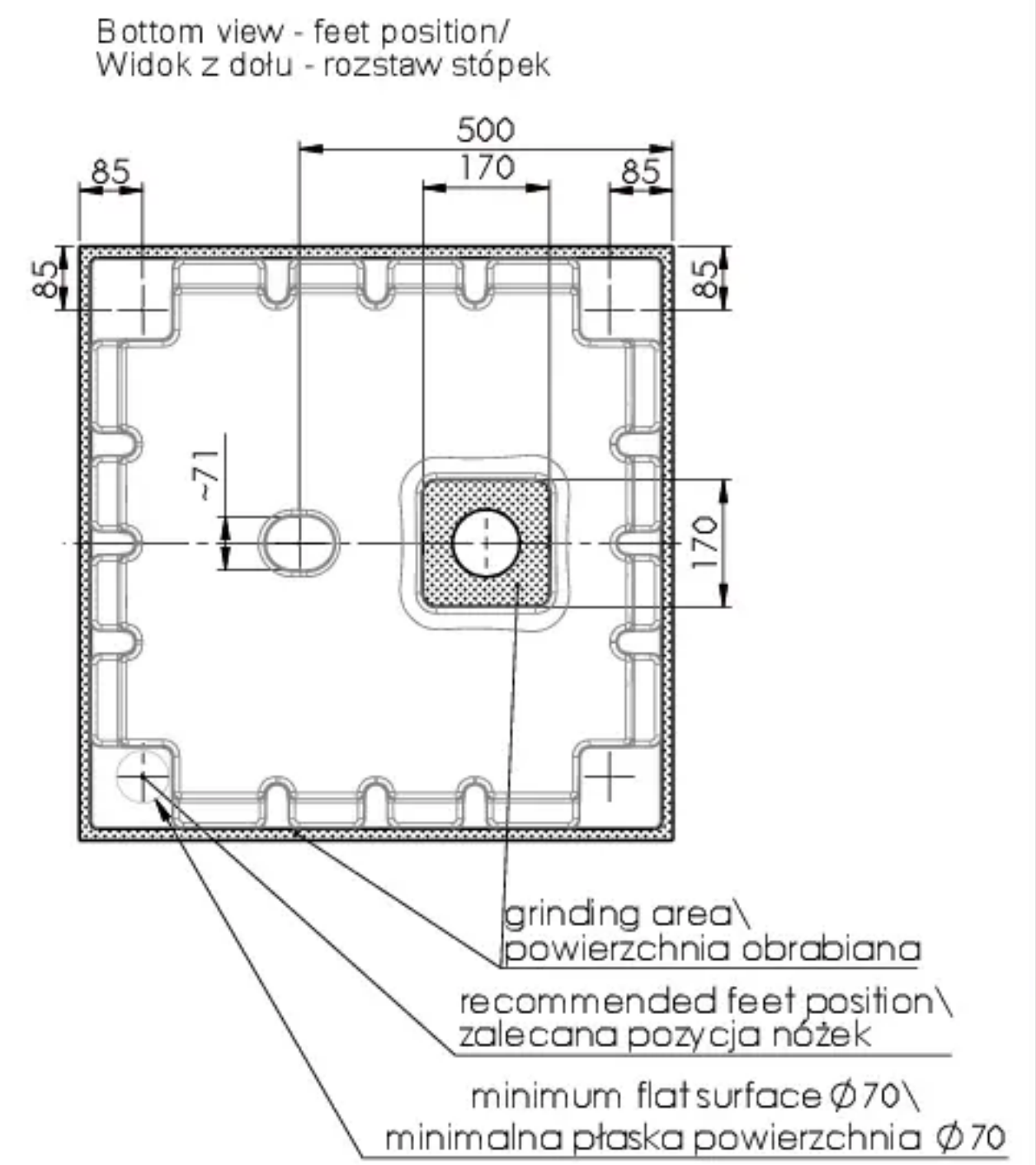
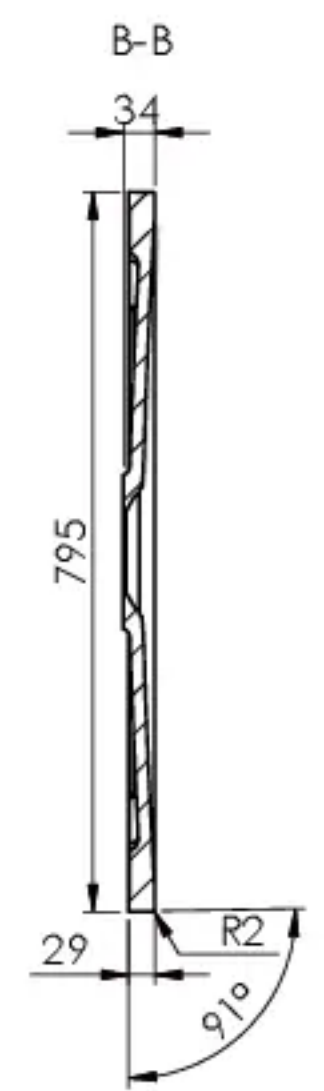
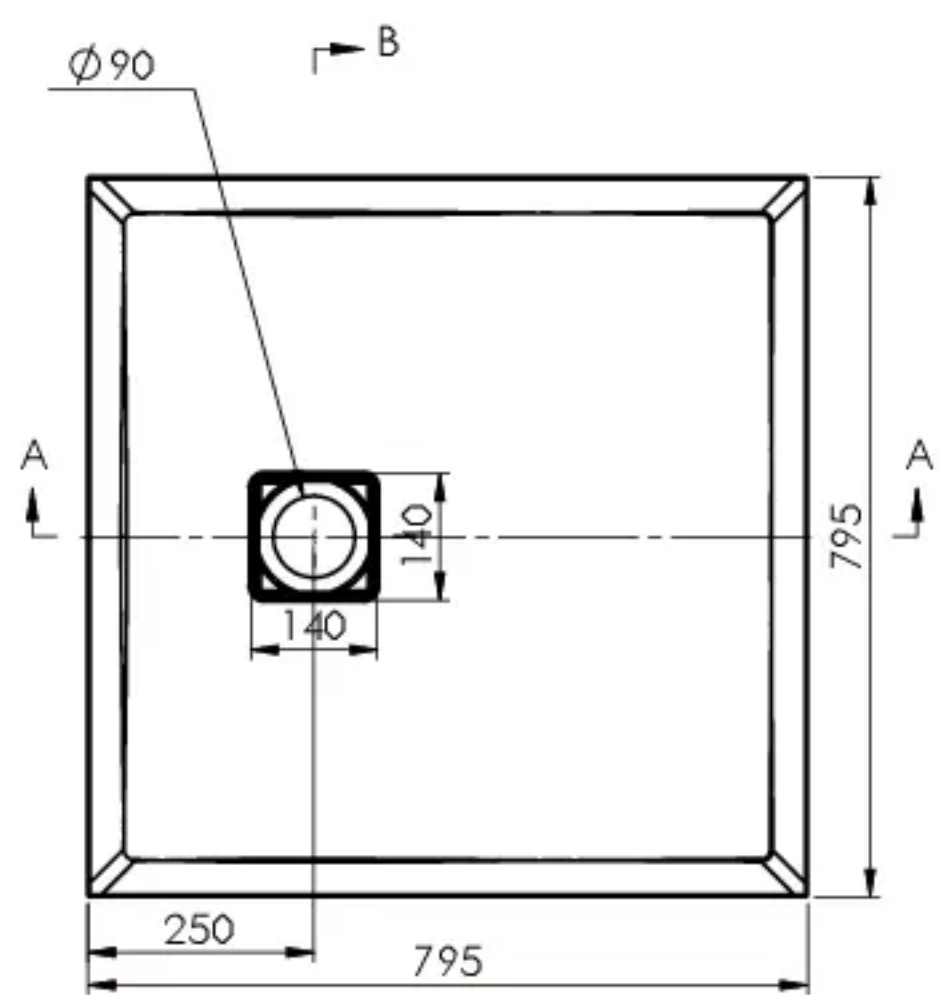
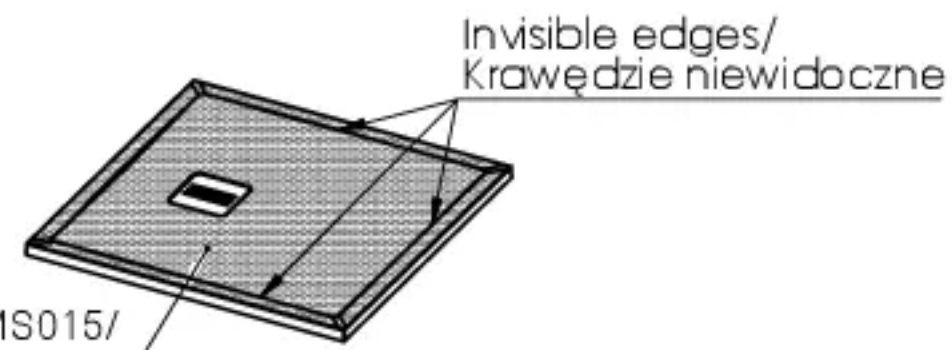


Rev	Design Change Note	Author	Date
001	First issue - proposed	RB	2019-10-18
002	Approved by client	RB	2020-05-25



Notes/Uwagi:

1. Steel plate - see drawing 103300000055/Metalowa przykrywka - patrz rysunek 103300000055

Tolerance length/width	+5/0 mm	Drawn by	Rafał B	Created Date	2019-10-18	Checked by	Zbigniew P	Art. Name:	REMIX 2 800x800
Tolerance height	+2/-2 mm	Project status	Approved	Client	LEROY MERLIN	Art. No:	6073450820xx	Mould No:	FZ345082
Tolerance plane bending	<math>< 1200 \text{ mm}</math> +2/-2 mm $\geq 1200 \text{ mm}$ +3/-3 mm	Customer ID: 3127							
Tolerance thickness	+2/-2 mm	Material volume (mm ³)	11554406	Overflow	NO	Tophole	0	Main dimensions L x W / H (mm)	795 x 795 / 34
Tolerance grinding	+2/0 mm	Surface area (mm ²)	1361271	Sheet size	A3	Scale	1:10	Drawn	Cover
Tolerance feet location	+7/-7 mm					Current revision			
Tolerance holes location	+2/-2 mm					002			
Tolerance holes diameter	+1/-1 mm								

This document must not be copied without our written consent, and the content herein must not be reproduced in any form or by any means, electronic or mechanical, including photocopying, recording, or by any information storage and retrieval system, without our prior written permission.