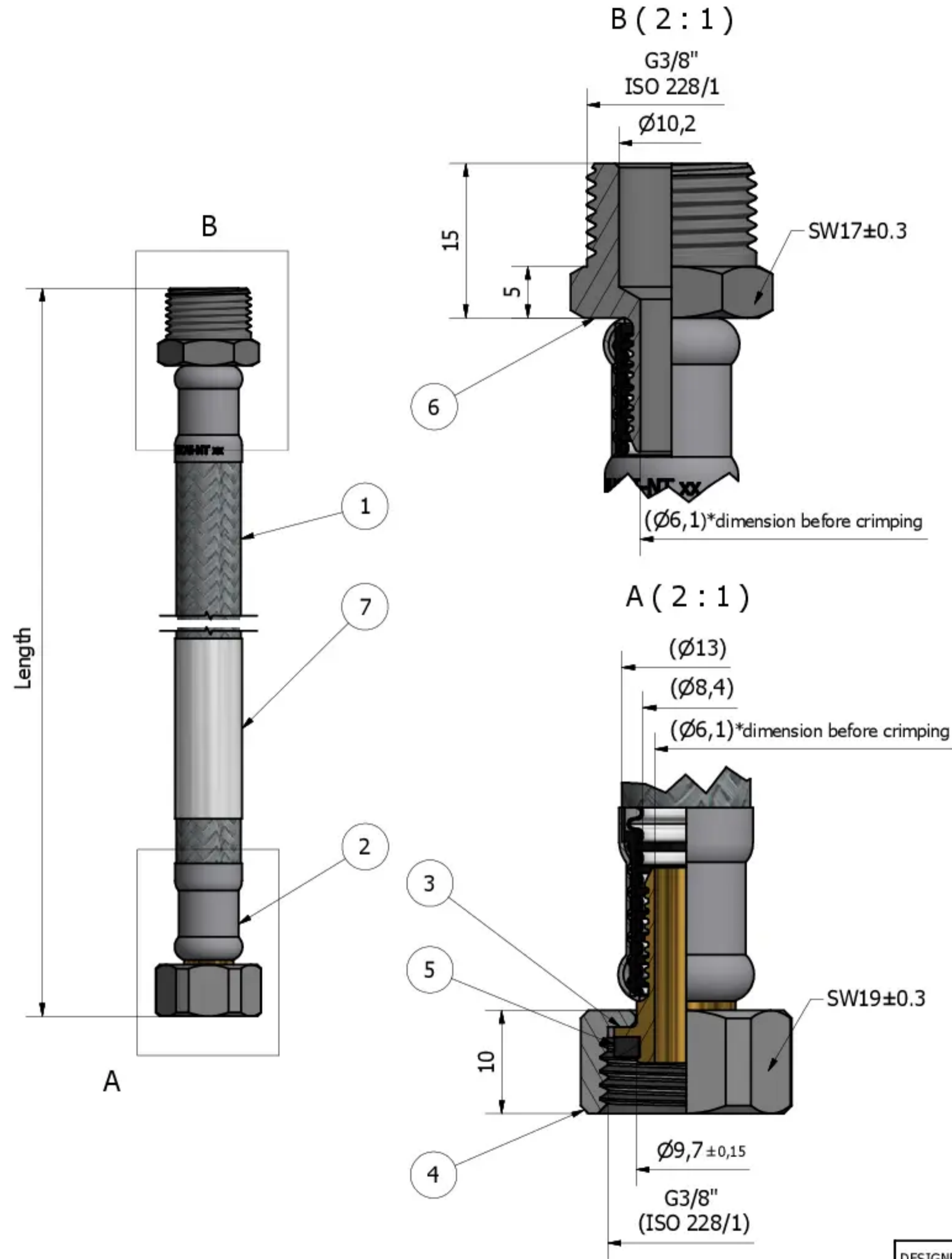
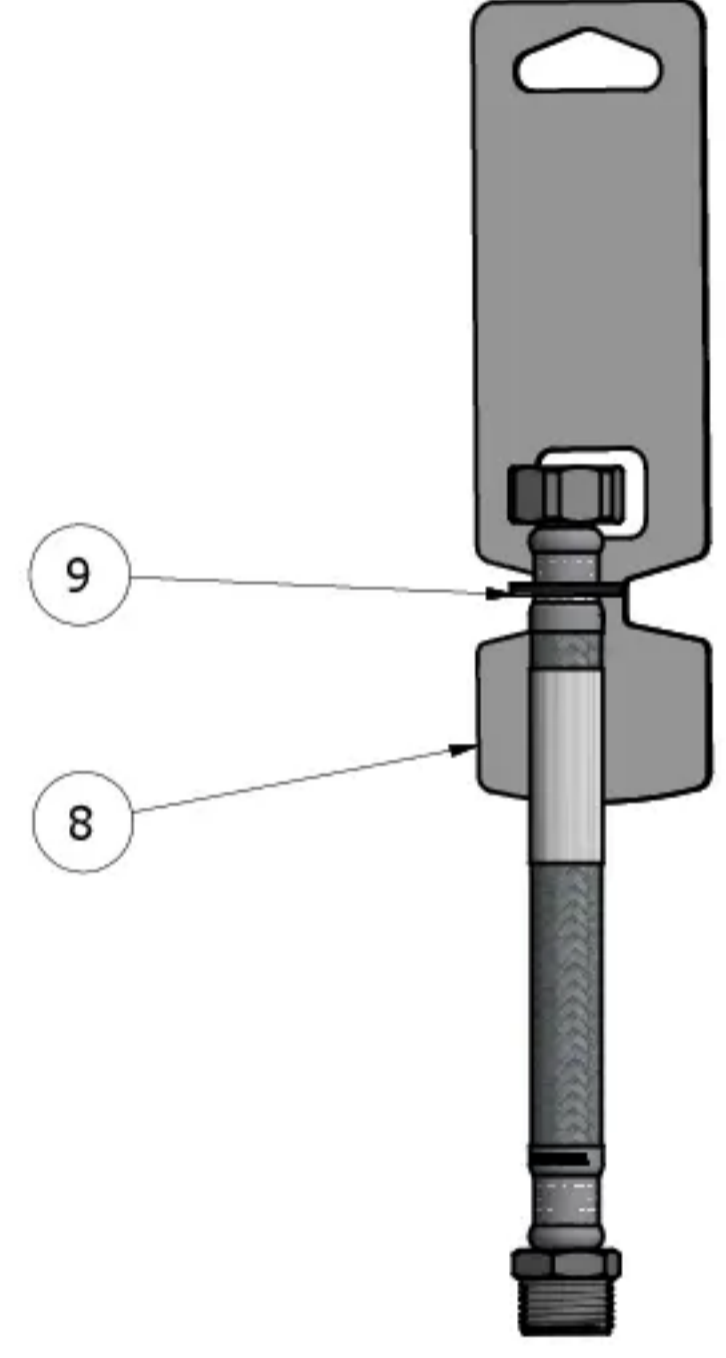


DN8

NON TOLERANCED DIMENSIONS from 0 to 6 mm. ±0.1	NON TOLERANCED DIMENSIONS from 6 to 30 mm. ±0.2	NON TOLERANCED DIMENSIONS from 30 to 120 mm. ±0.3	NON TOLERANCED DIMENSIONS from 120 to 400 mm. ±0.5
BRASS MATERIAL SHALL BE STRESS RELIEVED			
NO SHARP EDGES PERMITTED			
NON DIMENSIONED RADII/0.5 mm.			
NON TOLERANCED HORIZONTALS			
NON TOLERANCED ANGLES from 10° to 30° ±20° from 30° to 120° ±20° from 120° to 300° ±10°			
INSPECTION DIMENSION			



ITEM	QTY	CODE	COMPONENT	DESCRIPTION	MATERIAL	TREATMENT
1	1	413488		TWIST-DN8-ACB	PERT-PET BRAIDING	-
	1		411621	Corrugated Tube	PERT	-
	1		111729	Braiding wire	PET BTRADING	-
2	2	413523		SLEEVE-DN8	AISI304	-
3	1	413179		Nipple-DN8-3/8	Brass CW617N	-
4	1	412456.3		NUT-G38-H10	Brass HPb58-3	Nickel-plated
5	1	411755		WASHER-EPDM	EPDM	-
6	1	411372.3		RM DN8 G3/8	Brass CW617N	Nickel-plated
7	1	23676		LABEL	Polypropylene (PP)	-
8	1	Hanger		Hanger ADEO	Carton (PaperBoard)	-
9	1	22048		BRAID	Nylon-6/6	-



Code	Description	Length	Hanger	Customer code	EAN Client
208548	TWIST-ACB-MG-3838-150	150+10/-0	23548	S201	3276007149050
208549	TWIST-ACB-MG-3838-300	300+10/-0	23549	S205	3276007149135
208550	TWIST-ACB-MG-3838-500	500+20/-0	23550	S209	3276007149227
208551	TWIST-ACB-MG-3838-800	800+20/-0	23551	S213	3276007149296
208552	TWIST-ACB-MG-3838-1000	1000+20/-0	23552	S217	3276007149371
208553	TWIST-ACB-MG-3838-1500	1500+30/-0	23553	S221	3276007148855

DESIGNER	Ron.Cao	2020/7/8	<h1>HOSE ASSEMBLY</h1>
APPROVED BY	FIM	2020/7/8	
			TWIST-ACB-MG-3838-ADEO
			Code 208548-T Code Prot.: