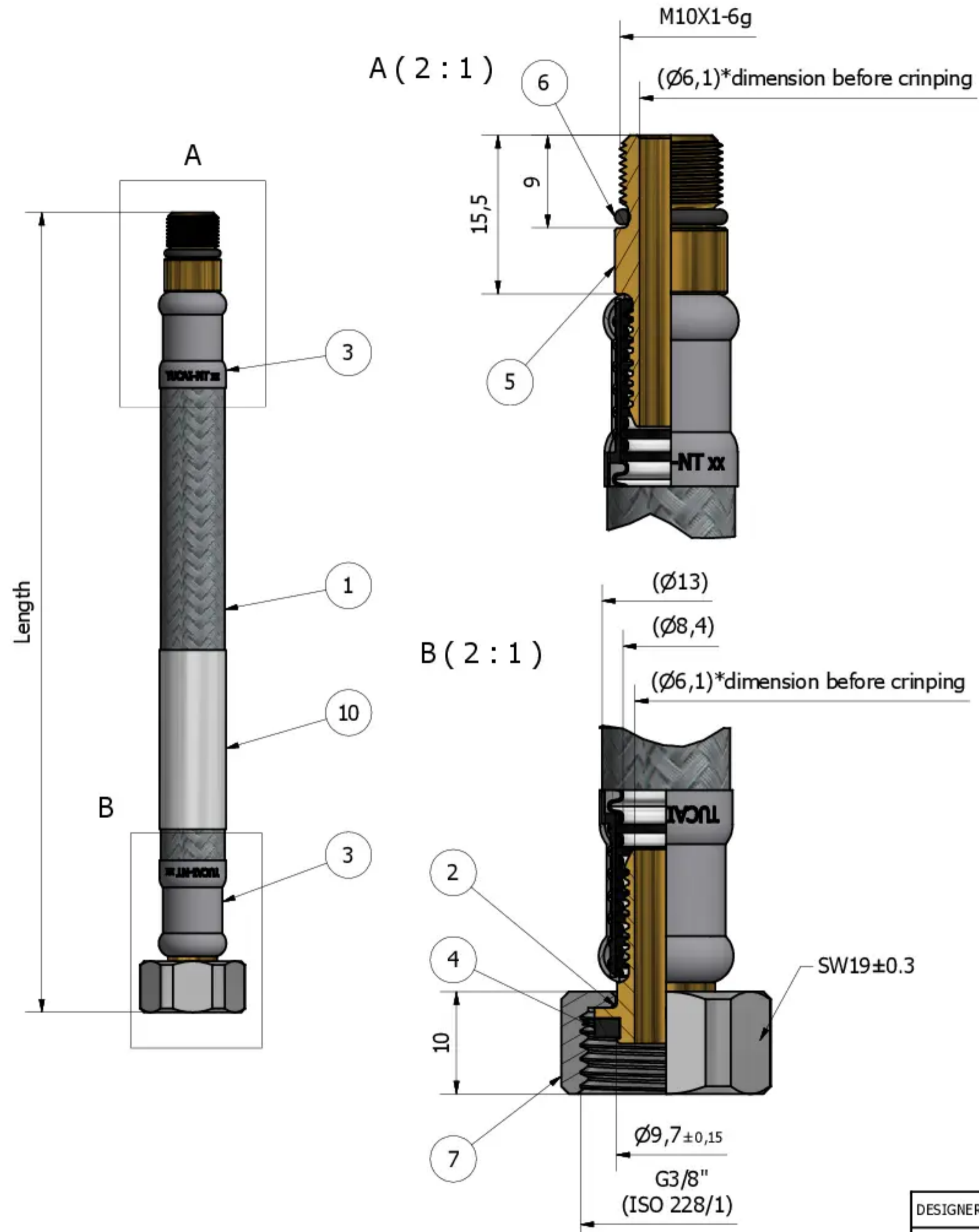
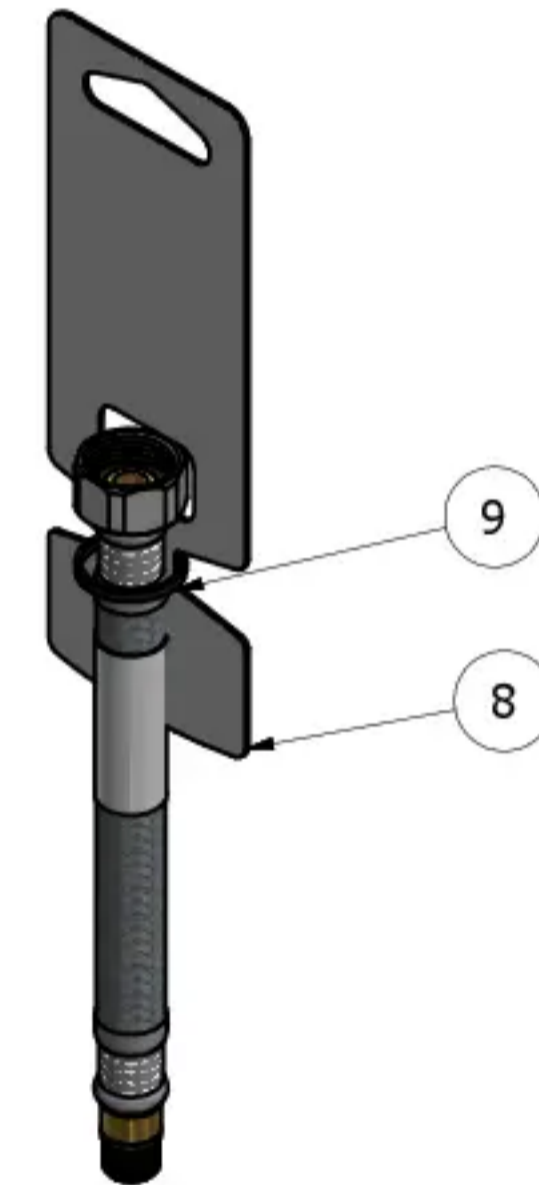


DN8



ITEM	QTY	CODE	COMPONENT	DESCRIPTION	MATERIAL	TREATMENT
1	1	413488		TWIST-DN8-ACB	PERT-PET BRAIDING	-
	1		411621	Corrugated Tube	PERT	-
	1		111729	Braiding Wire	PET BRAIDING	-
2	1	413179		Nipple DN8-3/8	Brass CW617N	-
3	2	413523		SLEEVE-DN8	AISI304	-
4	1	411755		WASHER EPDM	EPDM	-
5	1	415010		FITTING DN8-M10x1 L15.5	Brass CW617N	-
6	1	111748		O-RING EPDM	EPDM	-
7	1	412456.3		NUT-G38-H10	Brass HPb58-3	Nickel-Plated
8	1	Hanger		Hanger ADEO	Carton (PaperBoard)	-
9	1	22048		BRAID	Nylon-6/6	-
10	1	23659		LABEL DN8	Polypropylene (PP)	-



CODE	Description	Length	Hanger	Customer Code	EAN client
208513	TWIST-ACB-H3/8-M10X1-L15.5	500+20/-0	23513	NF204	3276007150223

DESIGNER	jake.wang	2020/7/8
APPROVED BY	Fim	2020/7/8

HOSE ASSEMBLY



TWIST-ACB-H3/8-M10X1-L15.5-ADEO

Code
208513-T

MON TOLERANCED DIMENSIONS from 0 to 6 mm ±0.1	BRASS MATERIAL SHALL BE STRESS RELIEVED	NON TOLERANCED DIMENSIONS from 6 to 30 mm ±0.2	MON TOLERANCED DIMENSIONS from 30 to 120 mm ±0.3	NON TOLERANCED DIMENSIONS from 120 to 400 mm ±0.5	NO SHARP EDGES PERMITTED	MON TOLERANCED DIMENSIONS from 10° to 30° ±1°	INSPECTION DIMENSION	MON TOLERANCED ANGLES from 30° to 120° ±20°	from 120° to 360° ±10°
---	---	--	--	---	--------------------------	---	----------------------	---	---------------------------