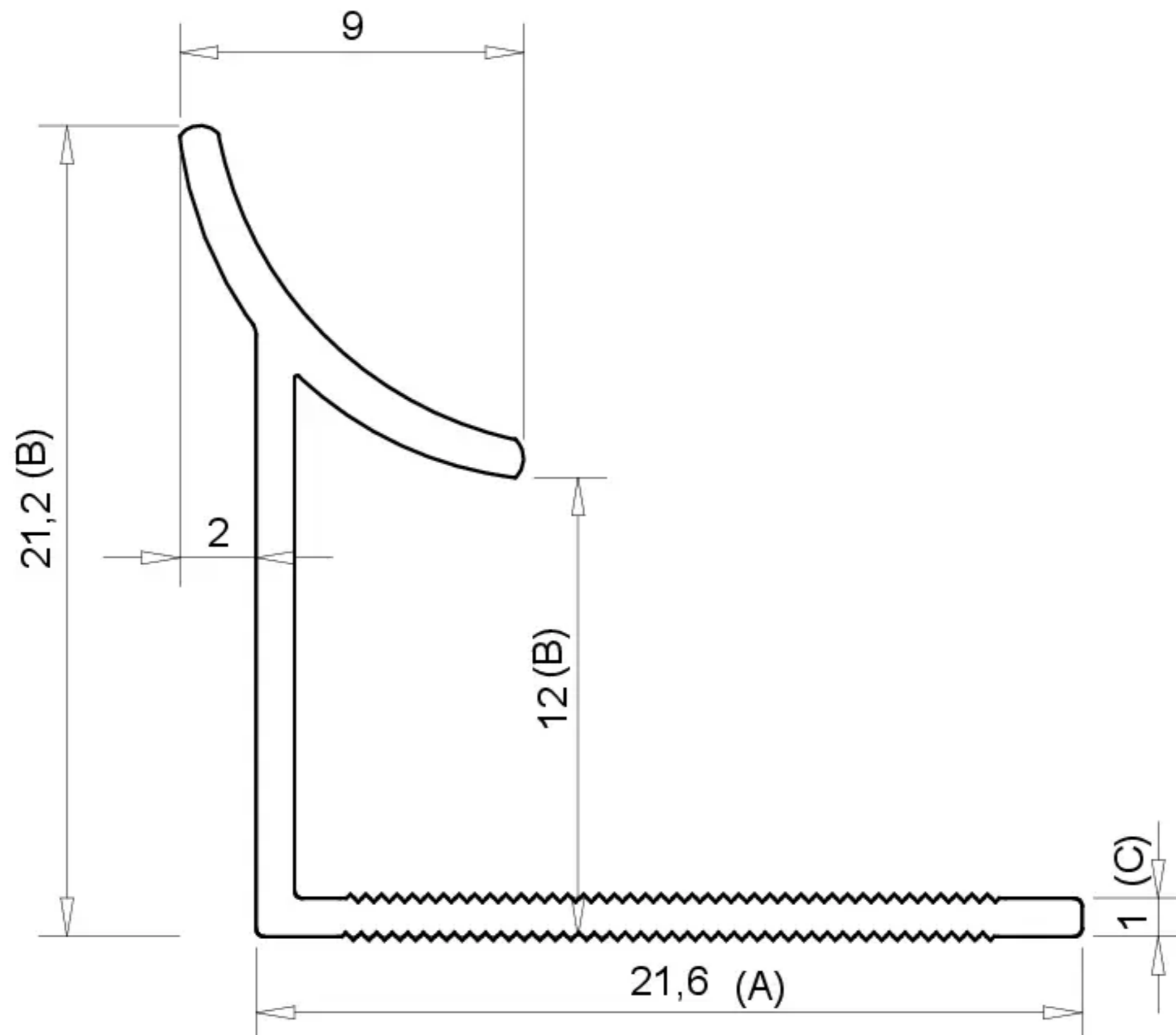


NAME OF PRODUCT INNER ROUND CORNER 1/4 PROFILE "WEWN12" TYPE



TOLERANCE OF DIMENTION

A	+0,5mm/-0,5mm
B	+0,2mm/-0,2mm
C	+0,0mm/-0,05mm
LENGTH [mm]	+ 5 mm / - 5 mm

CEZAR NAME	GTIN	NAME OF PRODUCT	FINISHING - COLOR	WEIGHT	QUANTITY
AL-WEWN12-EC0-250	3276000594840	Inner round corner 1/4 profile „WEWN12” type	shiny silver	0,280	1000
AL-WEWN12-C0-250	3276000594871	Inner round corner 1/4 profile „WEWN12” type	matt silver	0,280	500