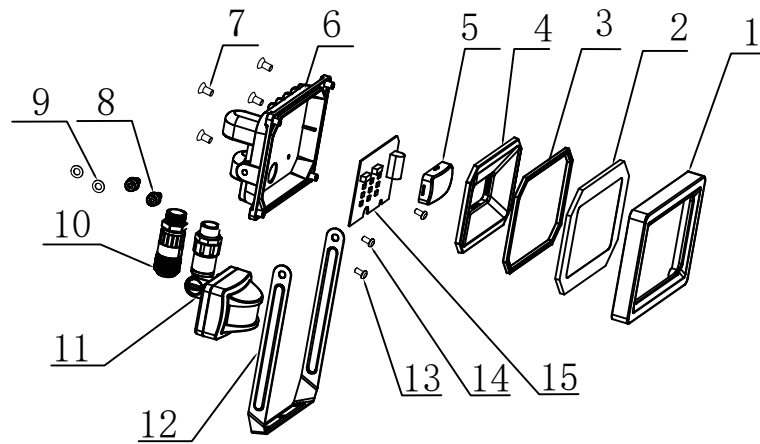


BD05C-YON-10P-G, BD05C-YON-20P-G  
 BD05C-YON-20P-W



NO	Name	Quantity
1	Surface cover	1
2	Glass	1
3	waterproof ring	1
4	reflector cup	1
5	PC Shade	1
6	Heat sink	1
7	Screw_machine tooth_4*8	4
8	Screw_machine tooth_4*10	2
9	flat washer	2
10	Waterproof terminal block	1
11	IR Sensor	1
12	Bracket	1
13	Screw_machine tooth_3	1
14	Screw_Self-tapping_3*6	2
15	PCB	1