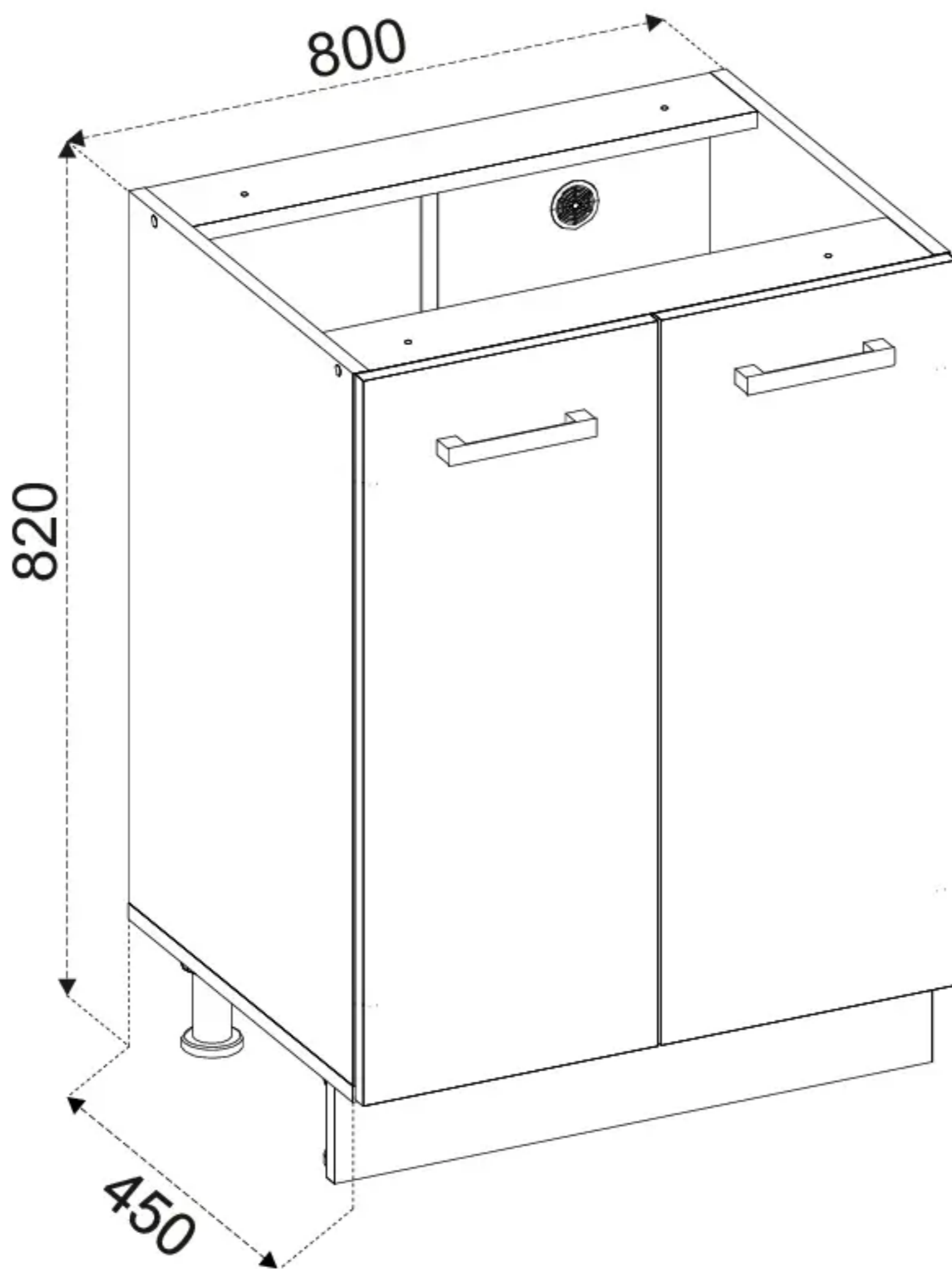
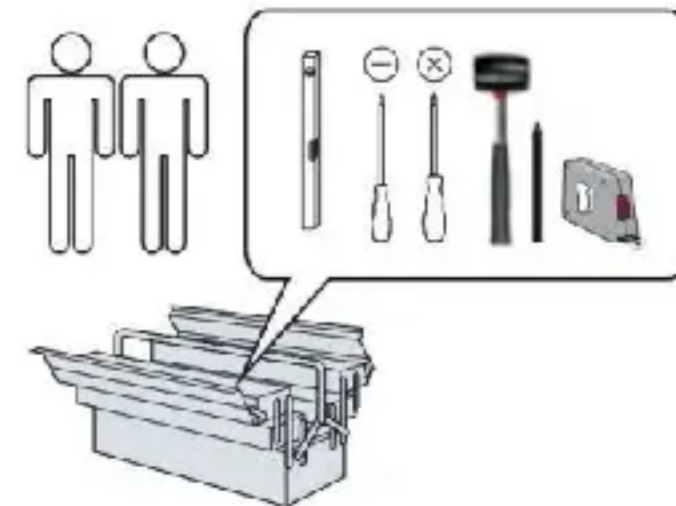




Producent: **MEBLE OKMED** POLAND
POLSKA 14-500 Braniewo ul. Kolejowa 13
www.mebleokmed.pl tel. (+48) 55 243 27 26



| | | | |
|--|--|--|--|
| | | | |
| | | | |
| | | | |
| | | | |
| | | | |