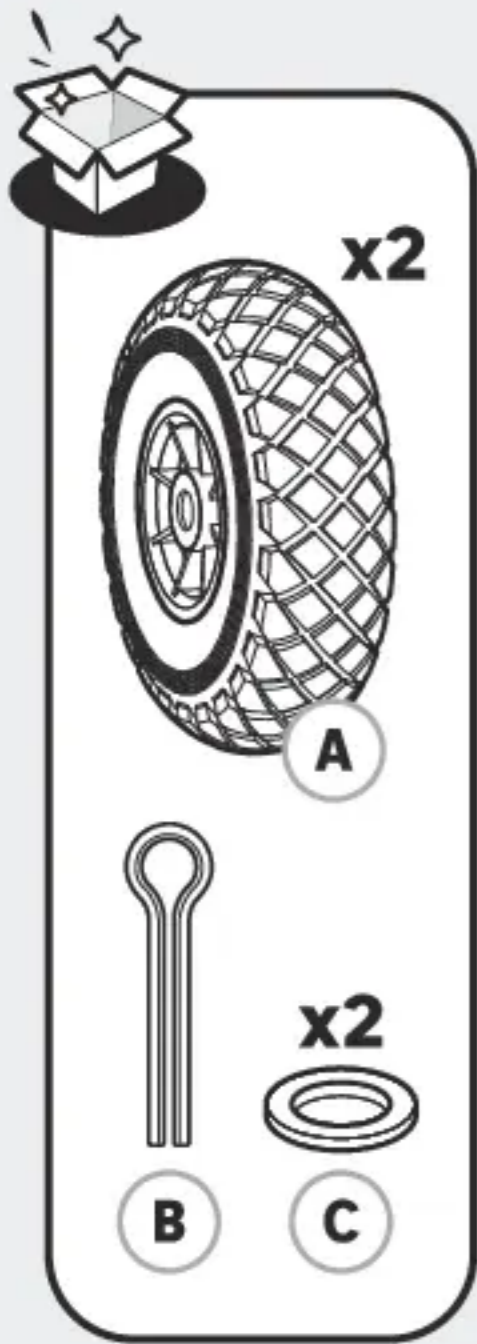
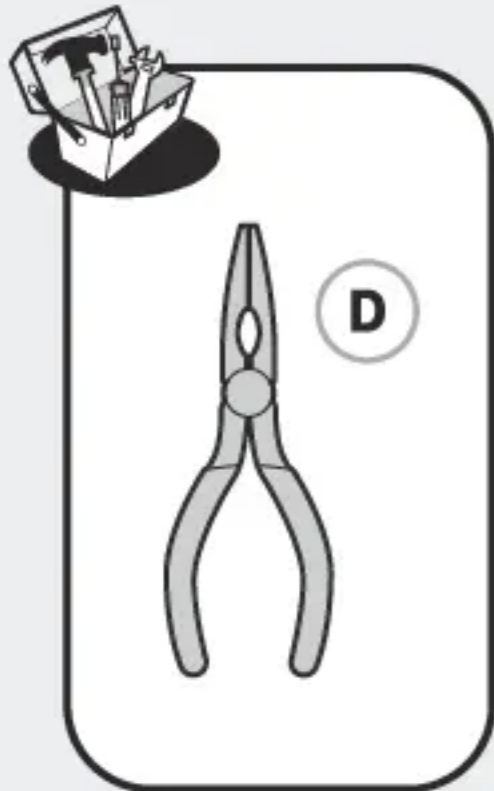
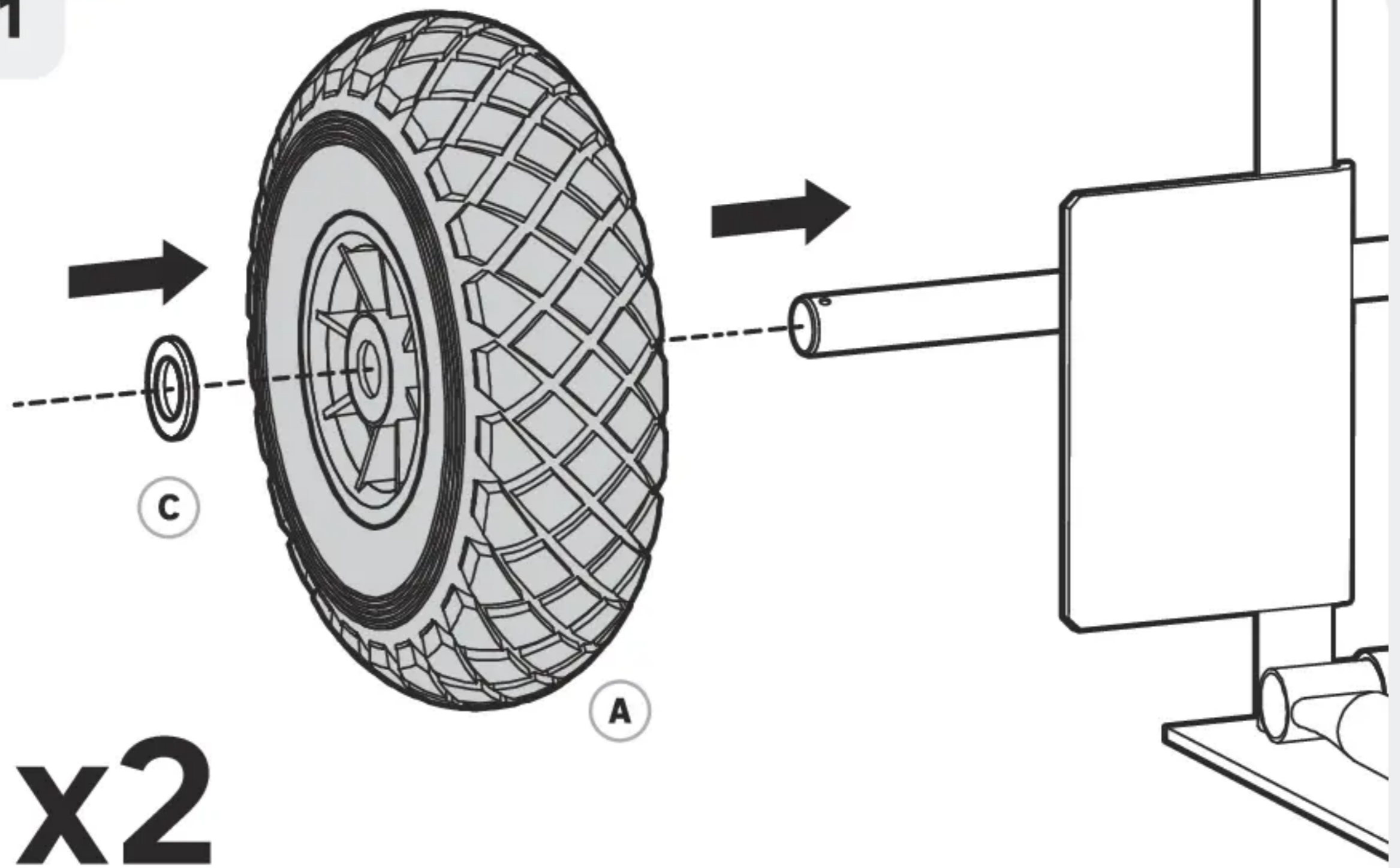




TR8 3276007310252 / TR9 3276007310269



1



2

