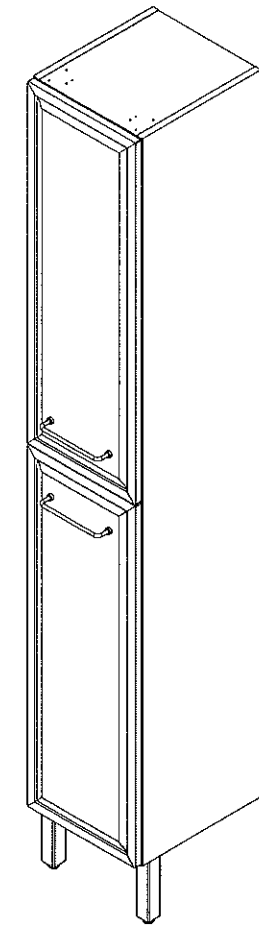
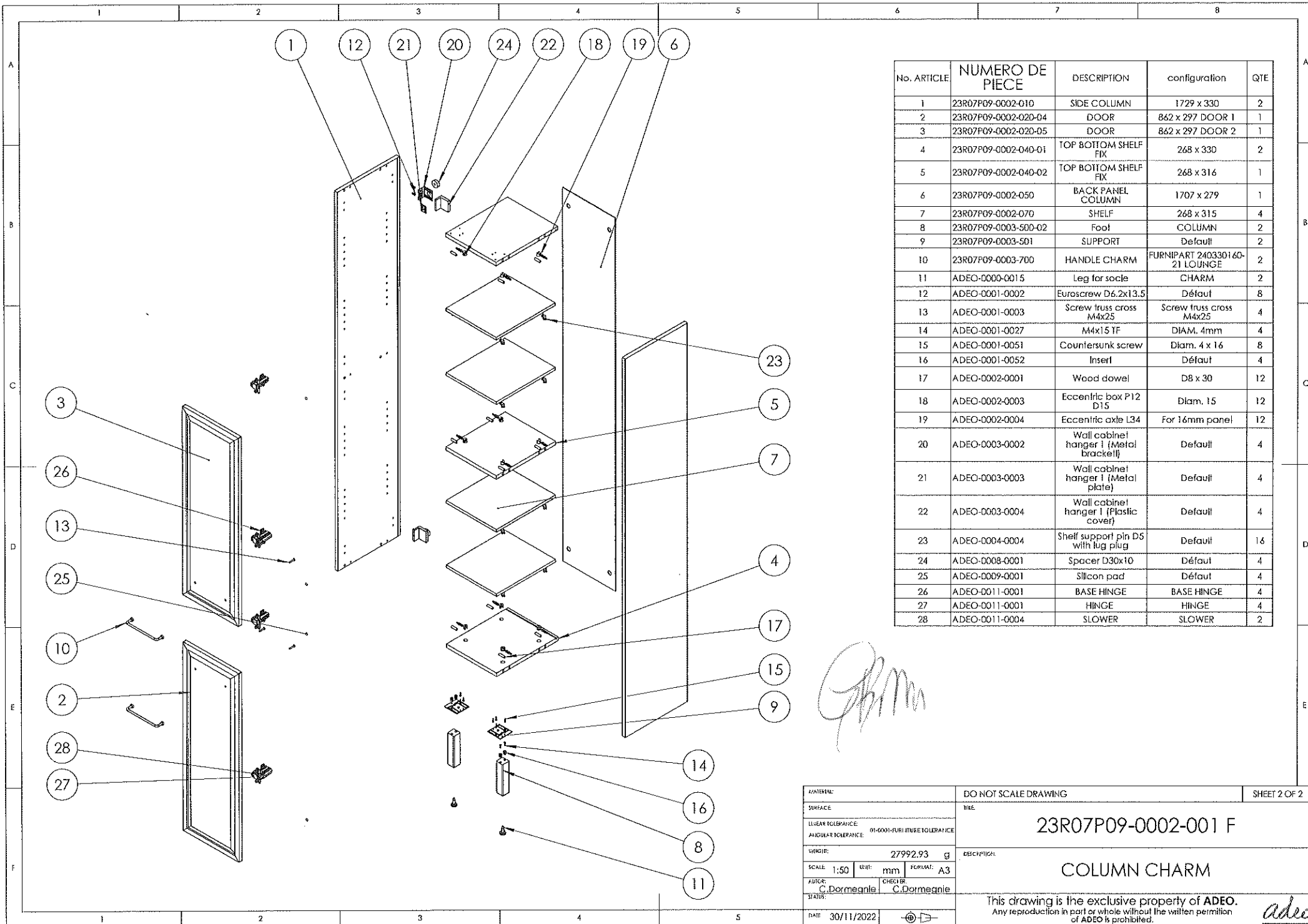


GRM



MATERIAL:		DO NOT SCALE DRAWING		SHEET 1 OF 2	
SURFACE:		TITLE:		23R07P09-0002-001 F	
LINEARTOLERANCE: ANGULAR TOLERANCE:		01-0001-PUN-#DRE TOLERANCE		DESCRIPTION:	
WEIGHT:		27992.93 g		COLUMN CHARM	
SCALE: 1:50	UNIT: mm	FORMAT: A3			
APPROV: C. Dornegnie	CREATED: C. Dornegnie				
DATE: 30/11/2022		This drawing is the exclusive property of ADEO. Any reproduction in part or whole without the written permission of ADEO is prohibited.			

adeo



No. ARTICLE	NUMERO DE PIECE	DESCRIPTION	configuration	QTE
1	23R07P09-0002-010	SIDE COLUMN	1729 x 330	2
2	23R07P09-0002-020-04	DOOR	862 x 297 DOOR 1	1
3	23R07P09-0002-020-05	DOOR	862 x 297 DOOR 2	1
4	23R07P09-0002-040-01	TOP BOTTOM SHELF FIX	268 x 330	2
5	23R07P09-0002-040-02	TOP BOTTOM SHELF FIX	268 x 316	1
6	23R07P09-0002-050	BACK PANEL COLUMN	1707 x 279	1
7	23R07P09-0002-070	SHELF	268 x 315	4
8	23R07P09-0003-500-02	Foot	COLUMN	2
9	23R07P09-0003-501	SUPPORT	Default	2
10	23R07P09-0003-700	HANDLE CHARM	FURNIPART 240330160-21 LOUNGE	2
11	ADEO-0000-0015	Leg for socle	CHARM	2
12	ADEO-0001-0002	Euroscrow D6.2x13.5	Default	8
13	ADEO-0001-0003	Screw truss cross M4x25	Screw truss cross M4x25	4
14	ADEO-0001-0027	M4x15 TF	DIAM. 4mm	4
15	ADEO-0001-0051	Countersunk screw	Diam. 4 x 16	8
16	ADEO-0001-0052	Insert	Default	4
17	ADEO-0002-0001	Wood dowel	Ø8 x 30	12
18	ADEO-0002-0003	Eccentric box P12 D15	Diam. 15	12
19	ADEO-0002-0004	Eccentric axle L34	For 16mm panel	12
20	ADEO-0003-0002	Wall cabinet hanger 1 (Metal bracket)	Default	4
21	ADEO-0003-0003	Wall cabinet hanger 1 (Metal plate)	Default	4
22	ADEO-0003-0004	Wall cabinet hanger 1 (Plastic cover)	Default	4
23	ADEO-0004-0004	Shelf support pin D5 with lug plug	Default	16
24	ADEO-0008-0001	Spacer D30x10	Default	4
25	ADEO-0009-0001	Silicon pad	Default	4
26	ADEO-0011-0001	BASE HINGE	BASE HINGE	4
27	ADEO-0011-0001	HINGE	HINGE	4
28	ADEO-0011-0004	SLOWER	SLOWER	2

Handwritten signature

MATERIAL:		DO NOT SCALE DRAWING		SHEET 2 OF 2	
SURFACE:		TIRE:			
LINEAR TOLERANCE		23R07P09-0002-001 F			
ANGULAR TOLERANCE		DESCRIPTION:			
WEIGHT: 27992.93 g		COLUMN CHARM			
SCALE: 1:50	UNIT: mm	FORMAT: A3			
AUTOR: C. Dormeantle	CHEF DE: C. Dormeantle				
STATUS:		This drawing is the exclusive property of ADEO. Any reproduction in part or whole without the written permission of ADEO is prohibited.			
DATE: 30/11/2022					



Rev	Modifiche - Modifications	Data - Date	Firma - Signature	Particolare - Detail	Localzione - Location	Roy
	PRIMA EMISSIONE	13/01/23	GBM	IMBALLO FERRAMENTA/fitings box CHARM COLUMN	002256	.
				Nome modello CLIENTE - CUSTOMER model name	Disegno Nr. - Technical drawing number	
				Column Charme	MBC81-U CARTONE	
				Codice dis. CLIENTE - CUSTOMER drawing code	- Tolleranze dimensionali / Size tolerances*: Lunghezza e Larghezza, Length and Width: ≤850 mm ± 0,5 mm >850 mm ± 0,7 mm Spessore, Thickness: ± 0.3 mm	
				PROPRIETA' PRIVATA. E' VIETATA PREVIA AUTORIZZAZIONE RIPRODURLI COMMERCIALI A TERZI O METTERLI A LORO DISPOSIZIONE UNAUTHORIZED USE, MANUFACTURE OR REPRODUCTION IN WHOLE OR IN PART IS PROHIBITED. DRAWING, DESIGN AND OTHER DISCLOSURES ARE PROPERTY OF 3B	- Tolleranze d'imbarcamento / Bowing tolerances*: Convesso e Concavo, Convex and Concave: ± 1.5 mm/m - Per le altre Tolleranze / For the other Tolerances*: far riferimento alla specifica allegata all'offerta "Allegato 1" *Salvo diverse indicazioni riportate sul disegno *Unless different indications specified on drawings	
www.3bspa.com				▲ Lato Grezzo Raw side	210x297 UNI A4	
VIA DELLE INDUSTRIE 1 31040 SALGAREDA (TREVISO) ITALY TEL. 0422/747053 FAX 0422/807594				■ Lato stonato Post formed side		
	Per produzione 3B, salvo diverse indicazioni riportate sul disegno, seguire la specifica SP AQ 021 For 3B production, in case of no different indications on the drawing, refer to spec. SP AQ 021			● Lato Bordato Edgebanded side	Scala:1:10	



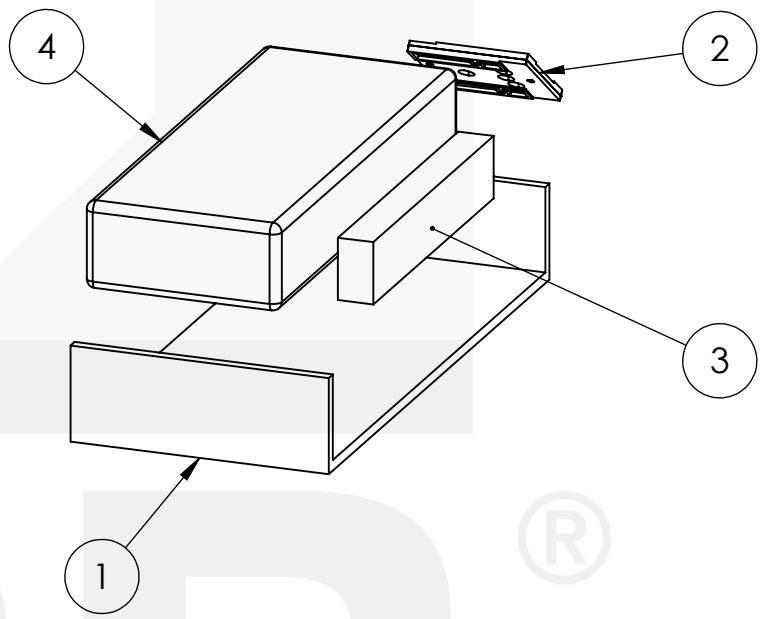
2- Packed in PE-LD bag



Packed with shrink film PE-LD
Attention: the packed feet are not inside the U-filler



3- Packed in pairs in PE-LD bag



4- Packed in PE-LD bag

N°	Disegno drawing	Q.tà q.ty	Descrizione description	Lungh. length	Largh. width	Sp. thickness
1		1	CARTONE/ cardboard U FILLER	330	146	54
2	MBC79-25	2	PIASTRA PIEDINO / plate foot			
3	MBC79-22	1	SET MANIGLIE/ handles FURNIPART	180	35	20
4	MBC81-26	1	SACCHETTO ferramenta / fitting bag	Dim.est.300	Dim.est.50	Dim.est.49