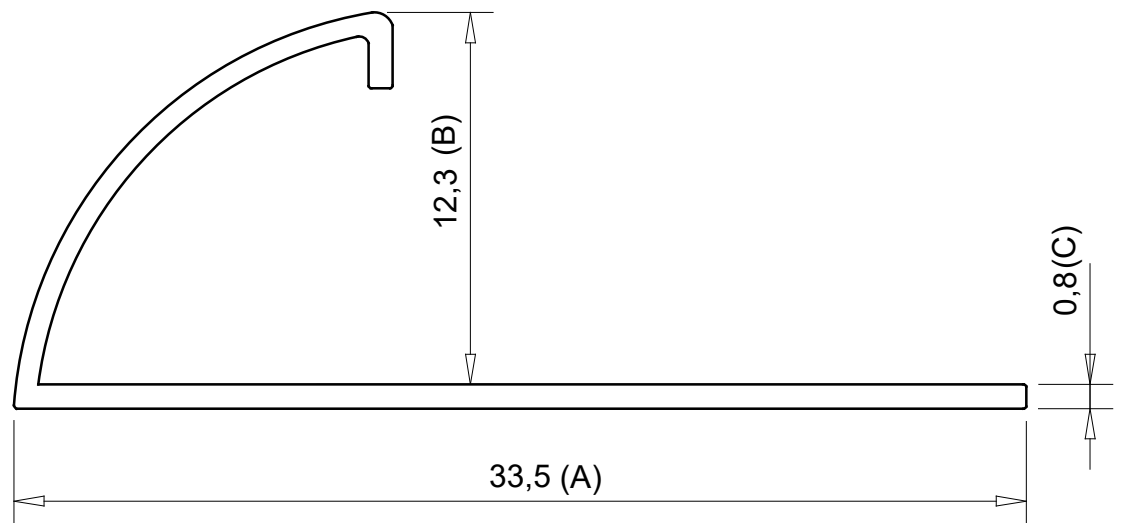


NAME OF PRODUCT

OUTER CORNER 1/4 PROFILE "O12" TYPE



TOLERANCE OF DIMENSION

A	+1,0 mm / -1,0 mm
B	+0,5 mm / -0,5 mm
C	+0,04 mm / -0,04 mm
Lenght 2500 mm	+5 mm / -5 mm

GTIN	NAME OF PRODUCT	TYPE OF MATERIAL	FINISHING - COLOR
3276000594307	Outer corner ¼ profile „O12” type	Stainless steel	shiny steel
3276000594321	Outer corner ¼ profile „O12” type	Stainless steel	brushed steel