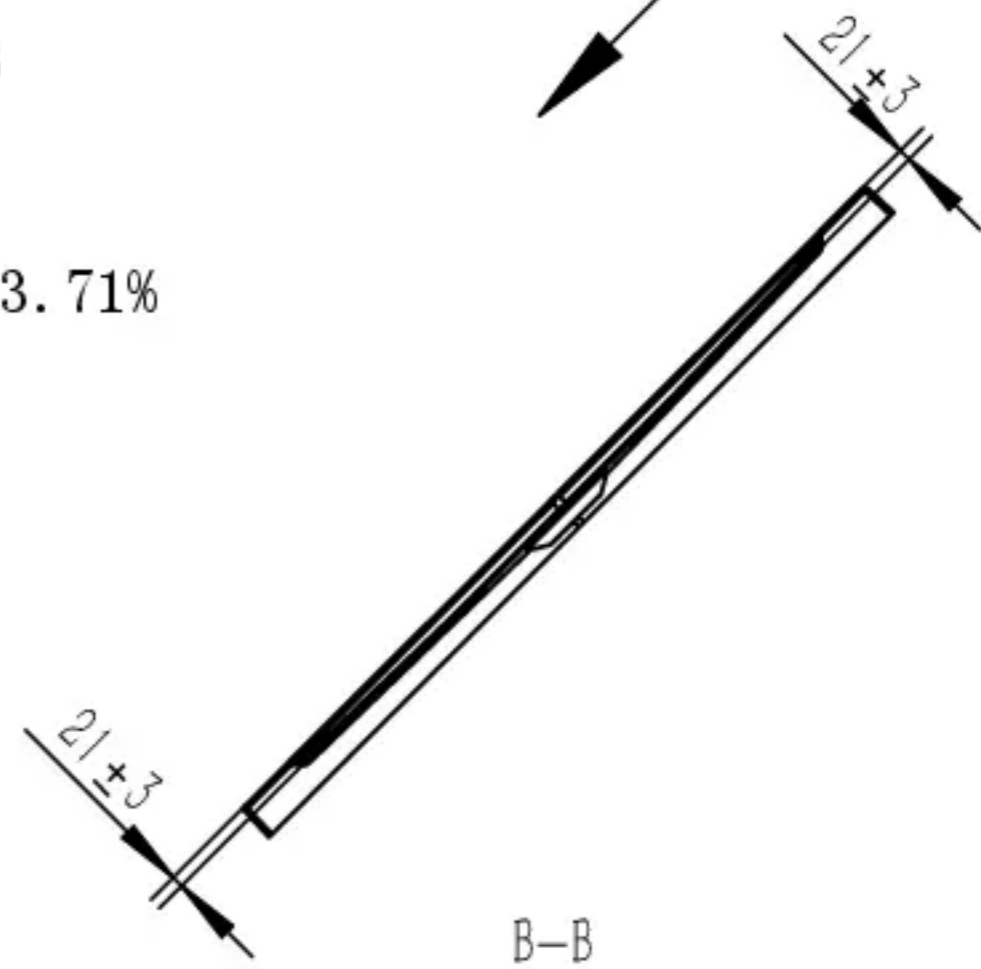


sample slope---3.71%



N.W./G.W.:8KGS/9.2KGS weight
tolerance :-5%,+10%

| ROYOLED | | | | | | |
|----------|------------------------------|------|----------------|------|-----------|------|
| | | | design | date | | |
| | | | drawing Mr.Pei | date | 2018/9/25 | |
| Name | 1/4 circle tray (800X800)*50 | | Checking | date | | |
| | | | Auditing | date | | |
| ERP NO. | | | Allowing | date | | |
| Unit | mm | Rate | 1,20 | | | |
| Material | | | | | | |
| | | | A4 | | Editio | 01,0 |
| | | | | | Page | 1/1 |