

Product identification

Adeo Ref	838371/838373/838376/838387/838388/838393/838394/838397/838398/839202/839204/839205/839206/839212/839776/839783		
Product EAN	3276000706977/3276000706953/3276000707042/3276000707011/3276000707004/3276000706991/3276000706946/3276000706922/3276000706915/3276000701293/3276000701347/3276000701309/3276000701286/3276000701316/3276000701354/3276000701330		
Supplier ref	HY-D56-7/HY-D56-6/HY-D56VS-1810/HY-D56-5/HY-D56-V21005T-73S/HY-D56VXXXX/HY-D56-4/HY-D56-3/HY-D56-2/HY-D56-VS3525/HY-D56-VS3707/HY-D56-VS3562/HY-D56-8/HY-D56-VS3106/HY-D56-1/HY-D56		

Template version history

Version	Status	Date Status	Comments
V.0	Under construction	20/08/2018	Template construction

Object

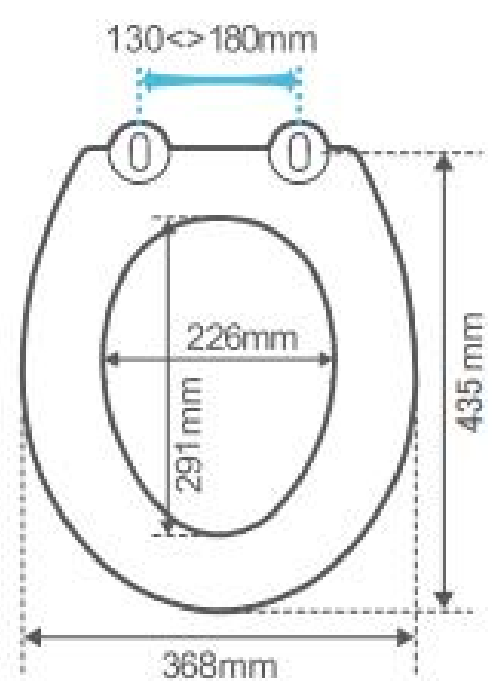
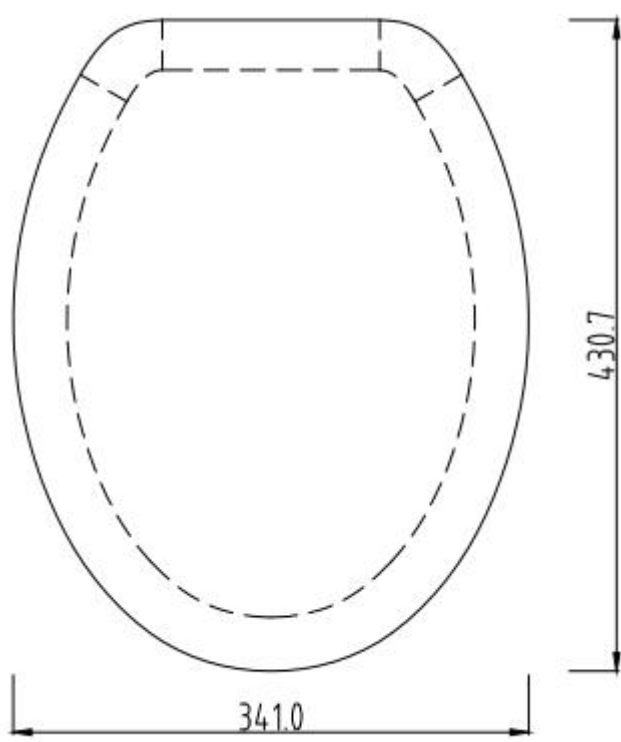
Technical data sheet of products

Technical data

Name product	POP	Contain battery	no
Power in Watt	/	Weight of the battery (gram)	/
Nett Weight in gram (without batteries, without packaging)	3.4kgs(± 5%)	Type of battery (Li-ion / Alkalin, ...)	/
Size of product: LxH in centimetre	36.8*5.5*45cm		
Accessories included: detailed it	Hinge,buffer, fittings		
Weight packaging	0.25kgs		
Size packaging	37.3*6*45.5cm		

Remark: The main technical features could be adjusted by supplier based on different kinds of products.

Photo



Tolerance: > 10-100; ±1mm

> 100-400; ±3mm