



Product Technical data sheet: Supplier Declaration

Product identification

Adeo Ref	830265		
Product EAN	3276007155105		
Supplier ref	NE19182		

Template version history

Version	Status	Date Status	Comments
V.0	Under construction	20/08/2018	Template construction
V.1	Validated construction	30/09/2019	Validated Template

Object

Technical data sheet of products

Technical data

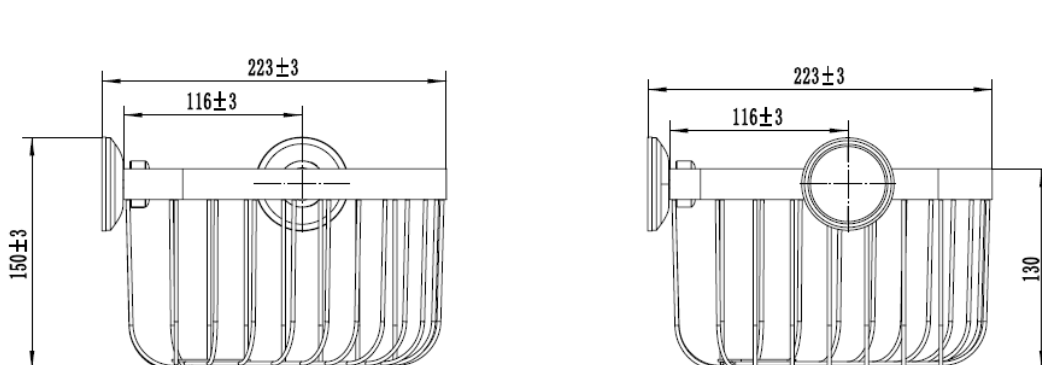
Hangzhou Dunli Import and Export Co.,Ltd

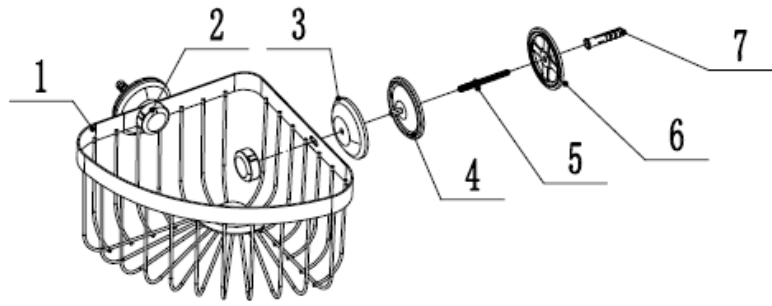
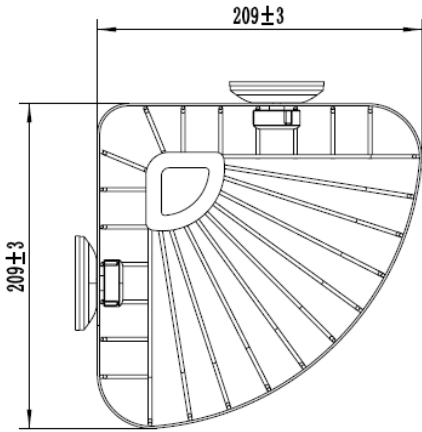
No.1 Dunli Road, Renhe Street, Yuhang District, Hangzhou, China

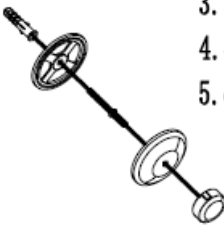

Name product	ANGLE BASKET NEO CHROME SHINNY	Contain battery	NA
Power in Watt	NA	Weight of the battery (gram)	NA
Nett Weight in gram (without batteries, without packaging)	480±50g	Type of battery (Li-ion / Alkalin, ...)	NA
Size of product: LxH in centimetre	223*223*150MM	material	IRON
Accessories included: detailed it	As the follow picture		
Weight packaging	530g±55g		
Size packaging	27*20.9*13.7		

Remark: The main technical features could be adjusted by supplier based on different kinds of products.

Photo





<p>① installation</p> 	<p>1. expending dowel $\phi 8 \times 40$ 2. plastic gasket 3. screw 4. cover 5. cap</p>	<p>② installation</p> 	<p>1. rubber base 2. cover 3. cap</p>
--	---	--	---

7	HNLCPT. NE19074. 006	expending dowel $\phi 8 \times 40$	2	PP
6	HNLCPT. NE19074. 005	plastic gasket	2	ABS
5	HNLCPT. NE19074. 004	screw	2	stainless steel
4	HNLCPT. NE19074. 003	rubber base	2	rubber
3	HNLCPT. NE19074. 002	cover	2	ABS
2	HNLCPT. NE19074. 001	cap	2	ABS
1	HNLCPT. NE19080. 100	basket	1	metal chrome shinny
no.	code	name	Qty	material